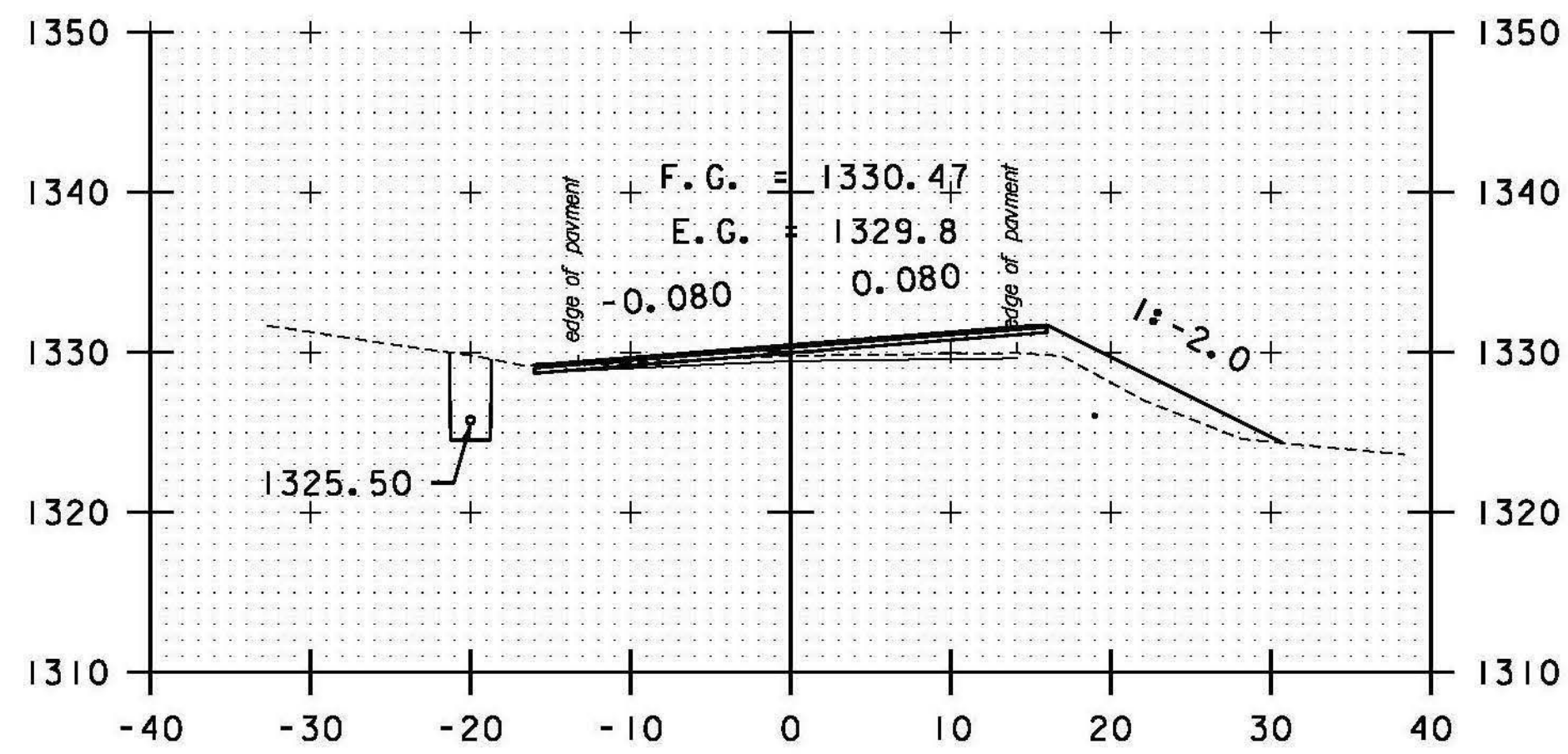
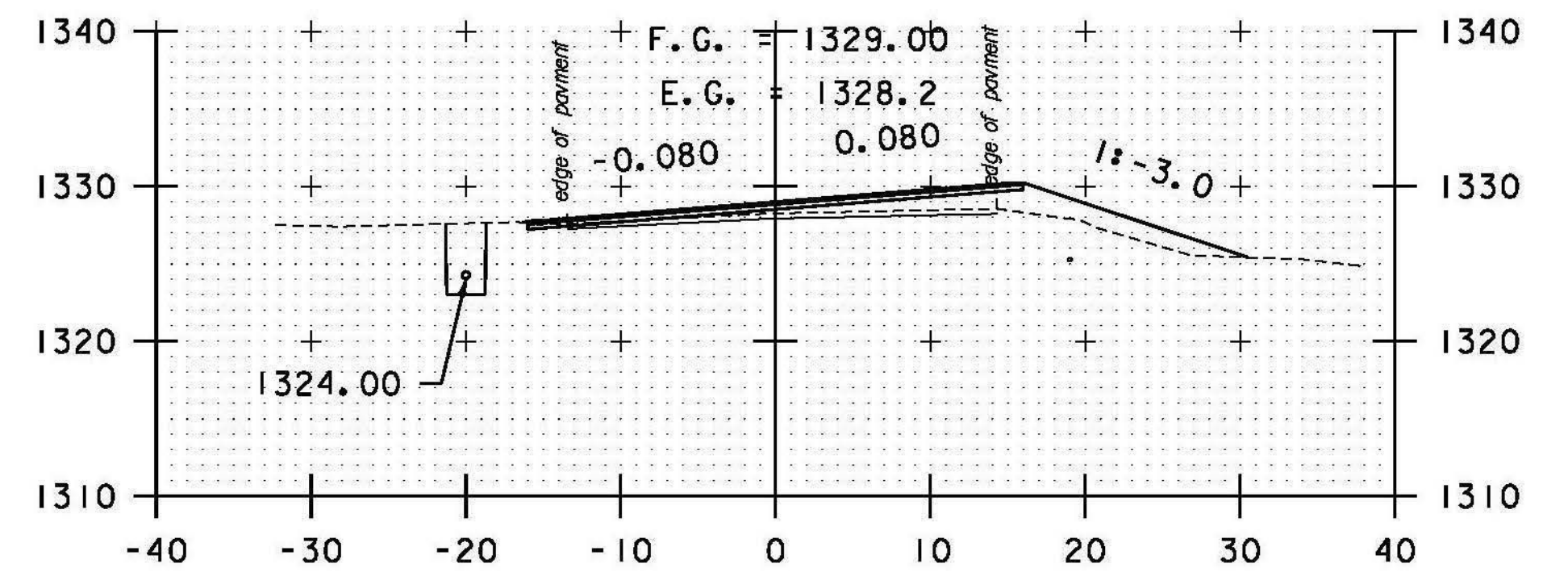


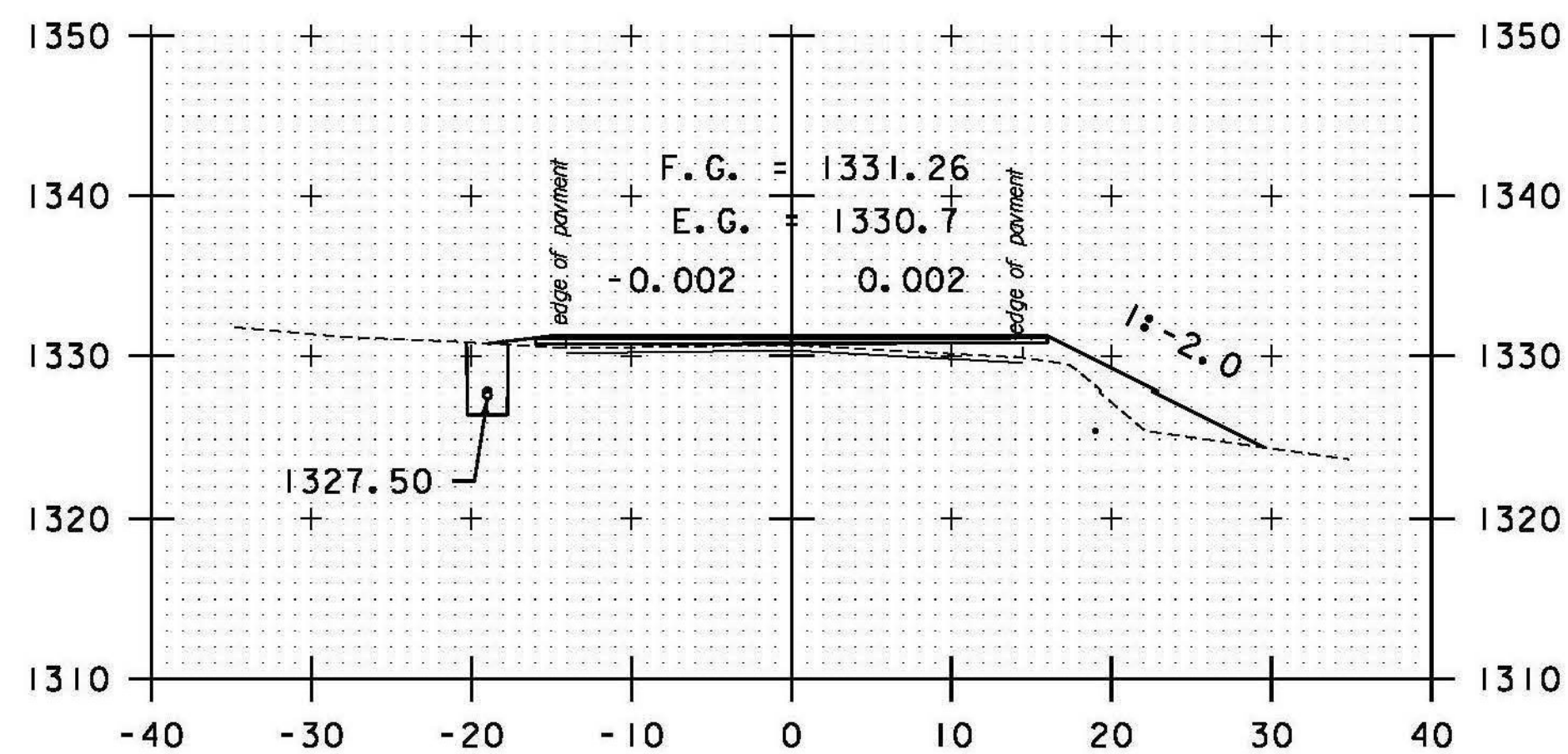
DRIVE LT
270+00



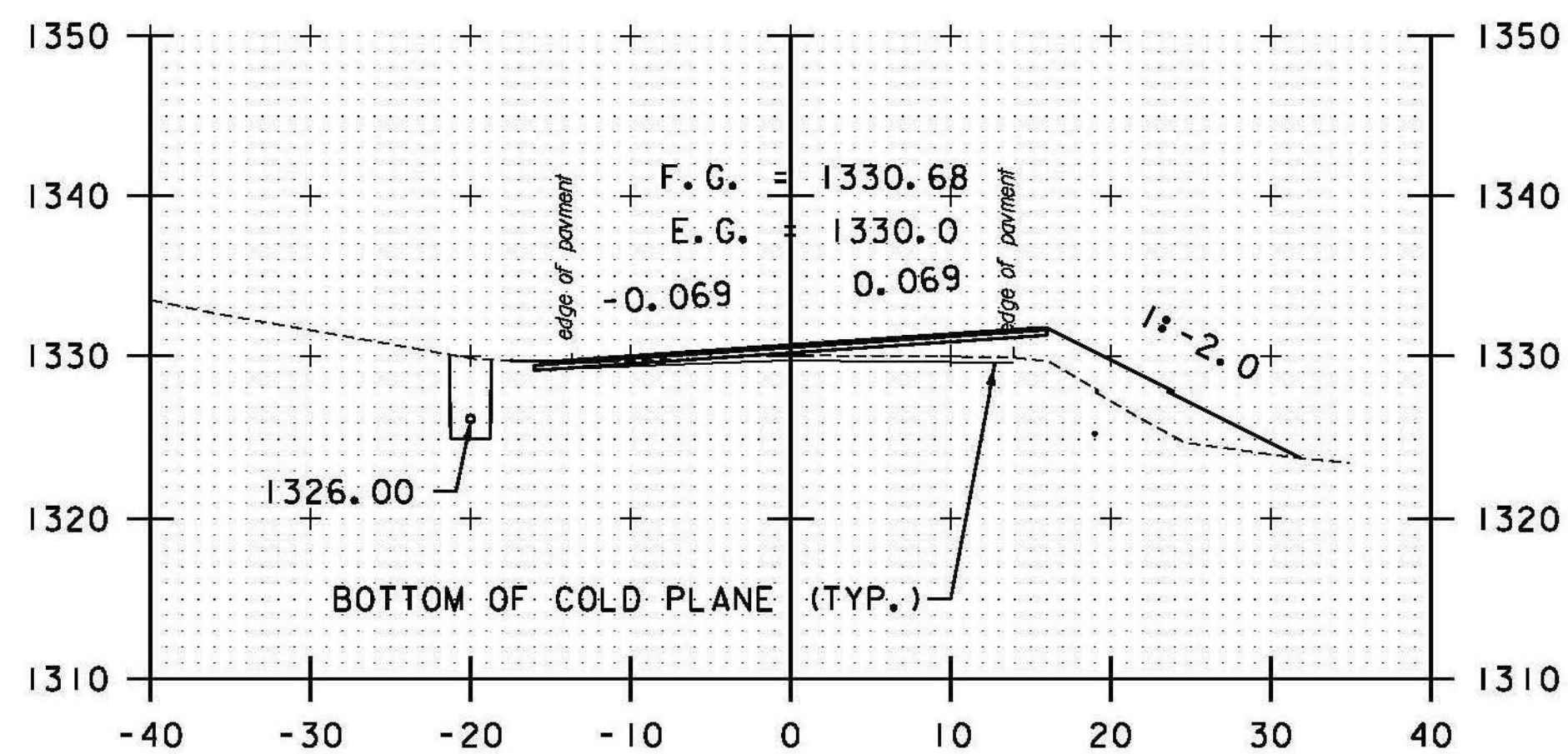
271+50



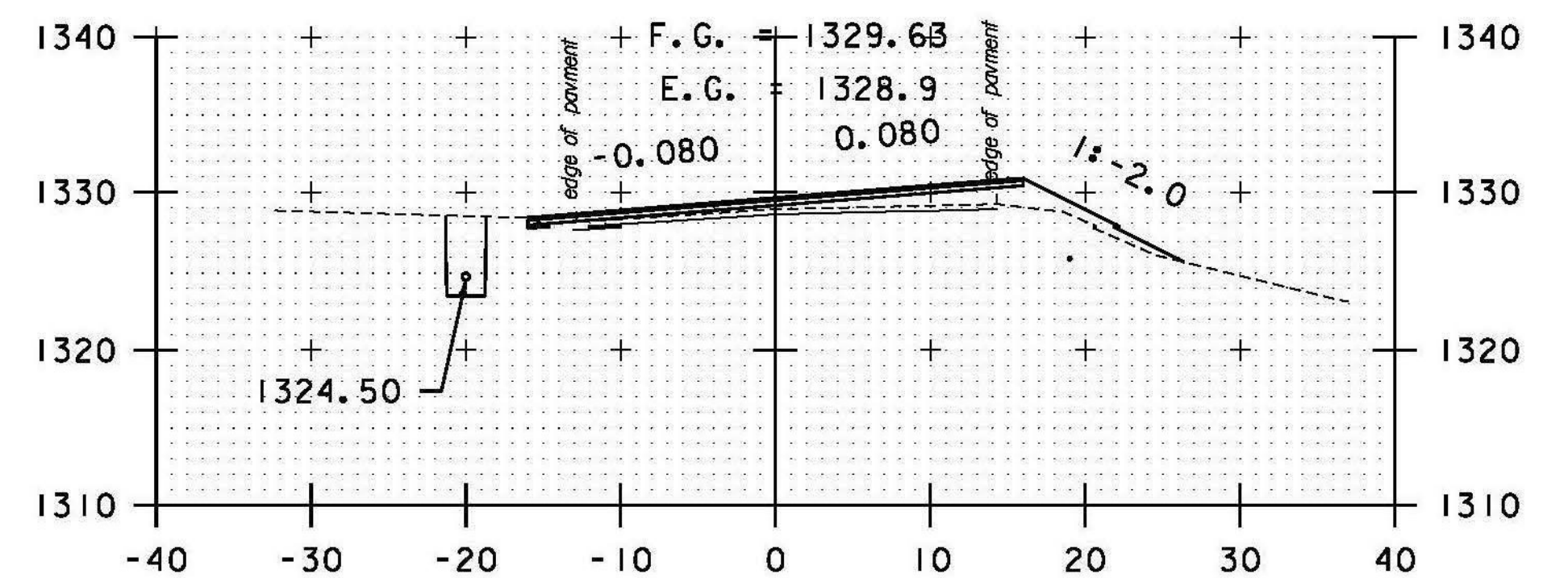
273+00



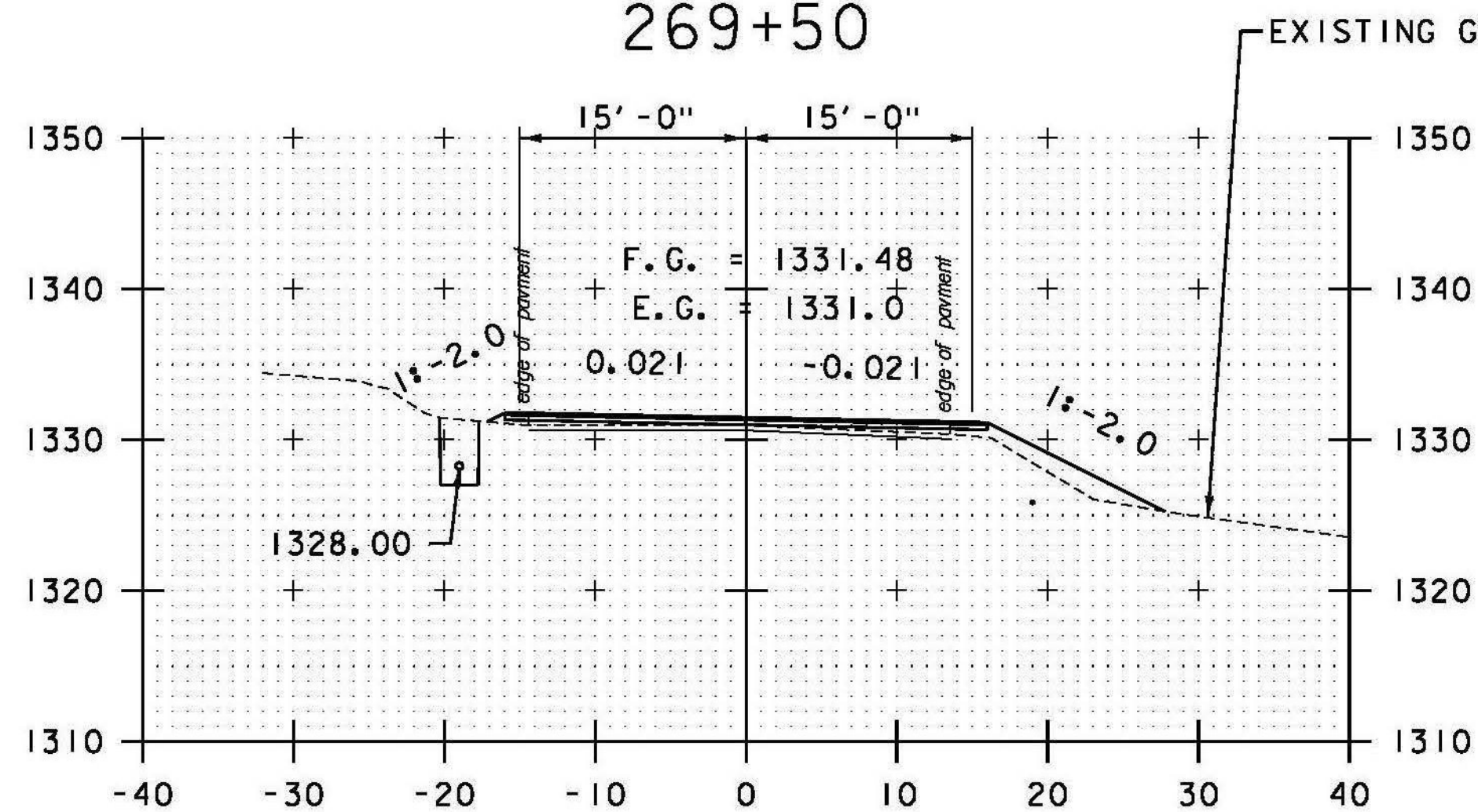
DRIVE LT
269+50



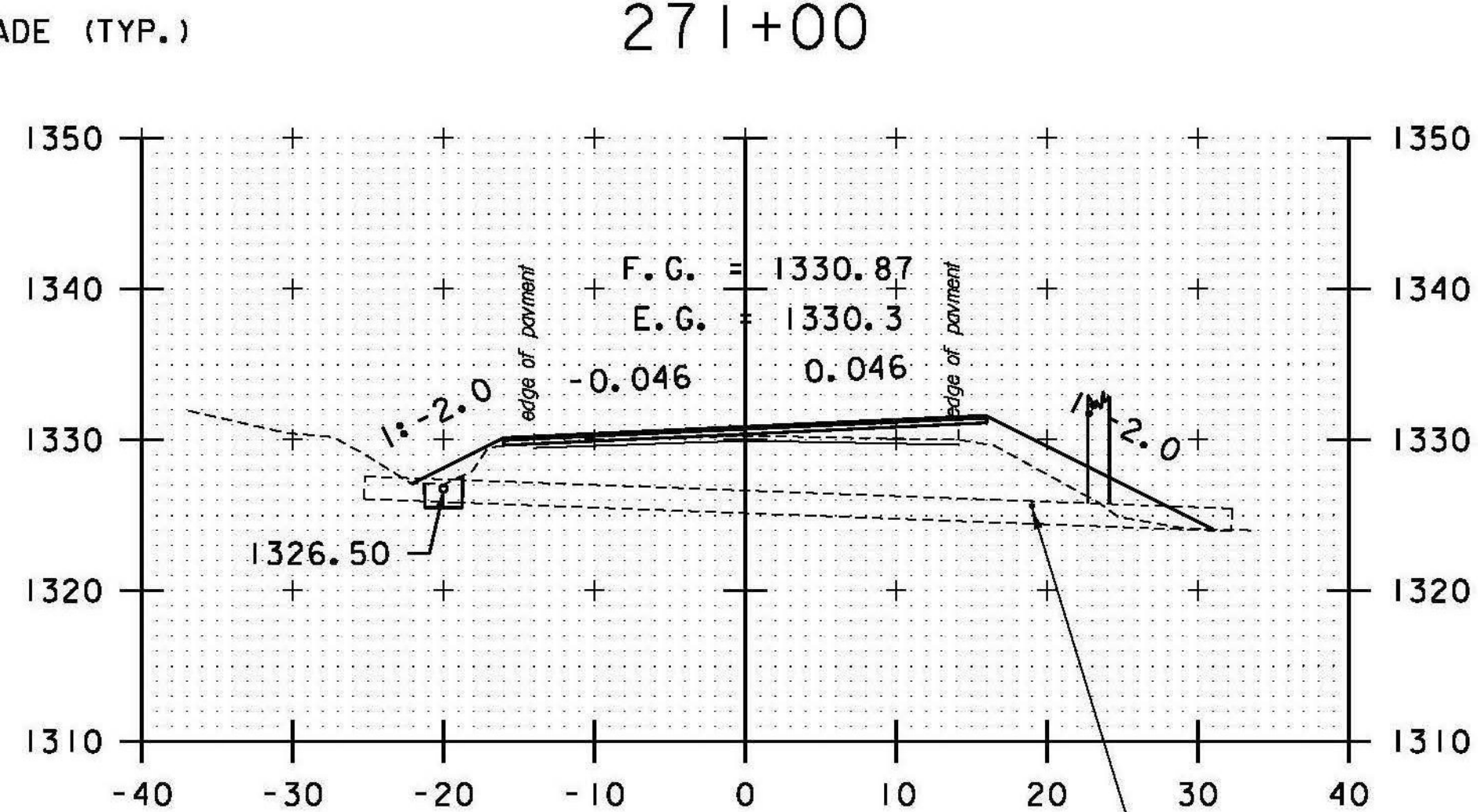
DRIVE LT
271+00



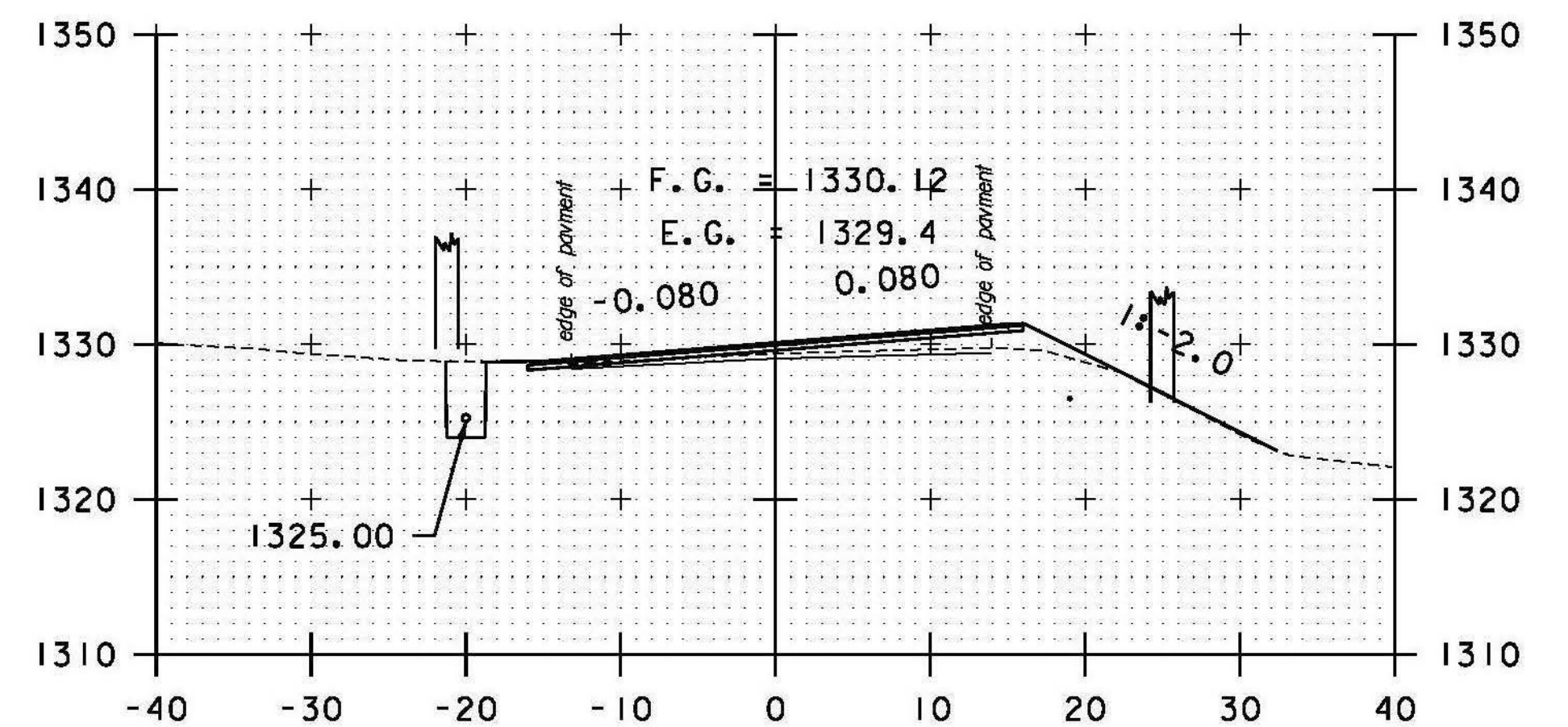
272+50



269+00



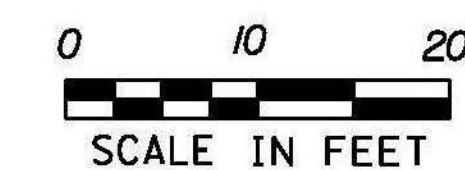
270+50



DRIVE LT
272+00

STA. 269+00 TO STA. 273+00

DATUM
 VERTICAL NAVD 88
 HORIZONTAL NAD 83 (07)



PROJECT NAME: RANDOLPH
 PROJECT NUMBER: STP 2932 (1)

FILE NAME: z10c270.dgn
 PROJECT LEADER: C. LATHROP
 DESIGNED BY: B. BRESLEND
 VT 66 CROSS SECTION SHEET 56

PLOT DATE: 6/5/2014
 DRAWN BY: B. BRESLEND
 CHECKED BY: C. LATHROP
 SHEET 212 OF 276