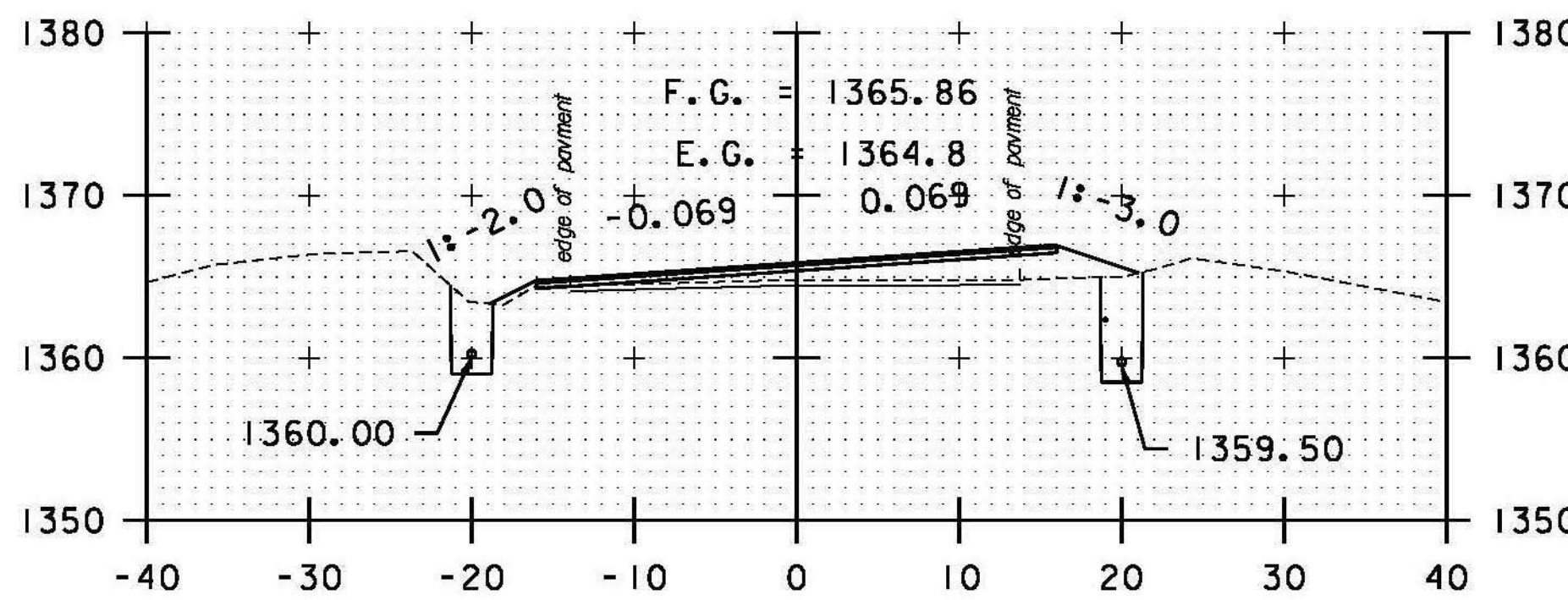
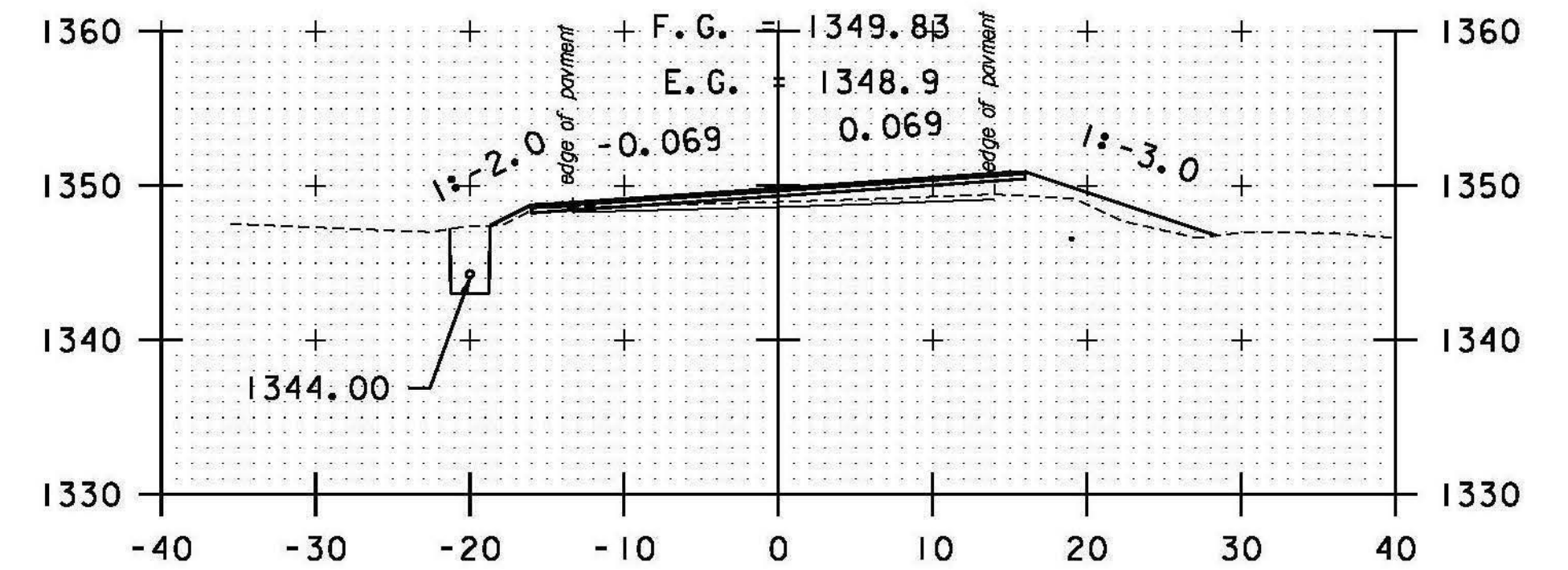


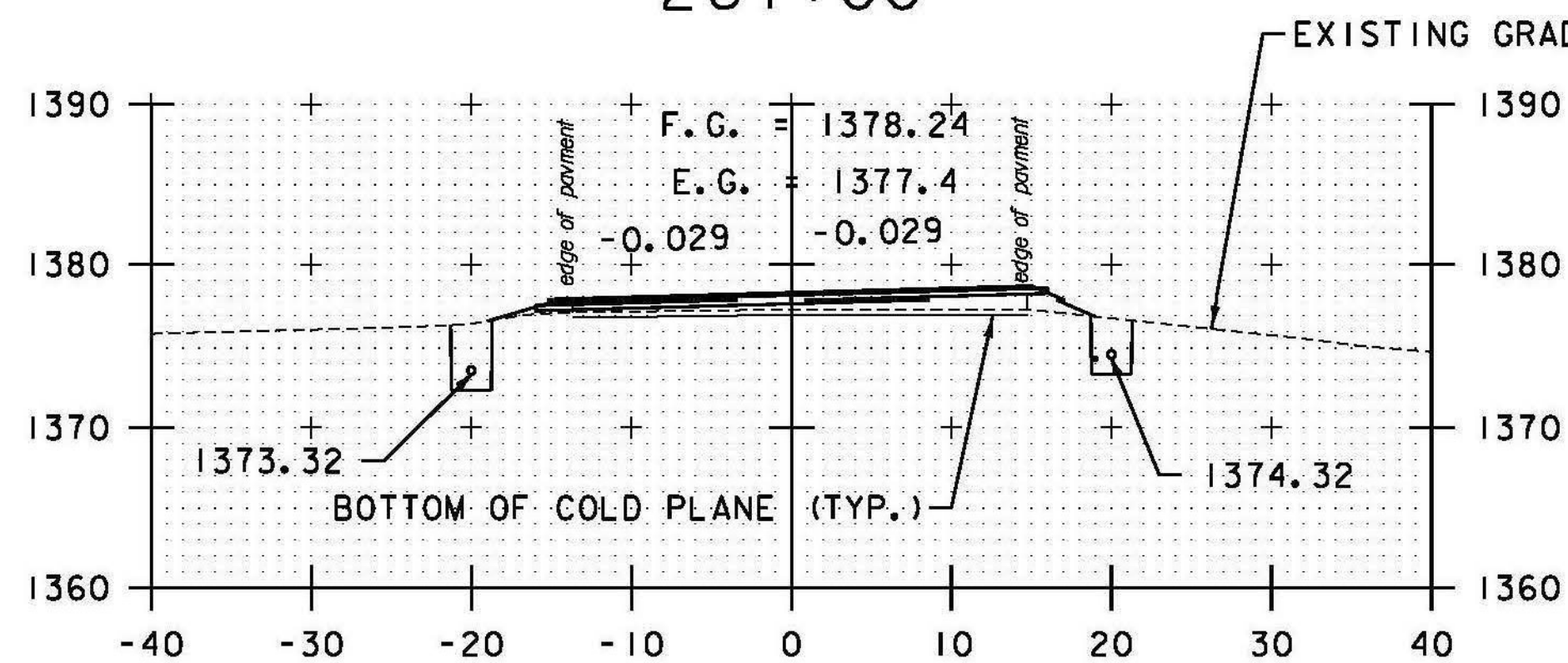
LT#6 LT / DRIVE RT
261+00



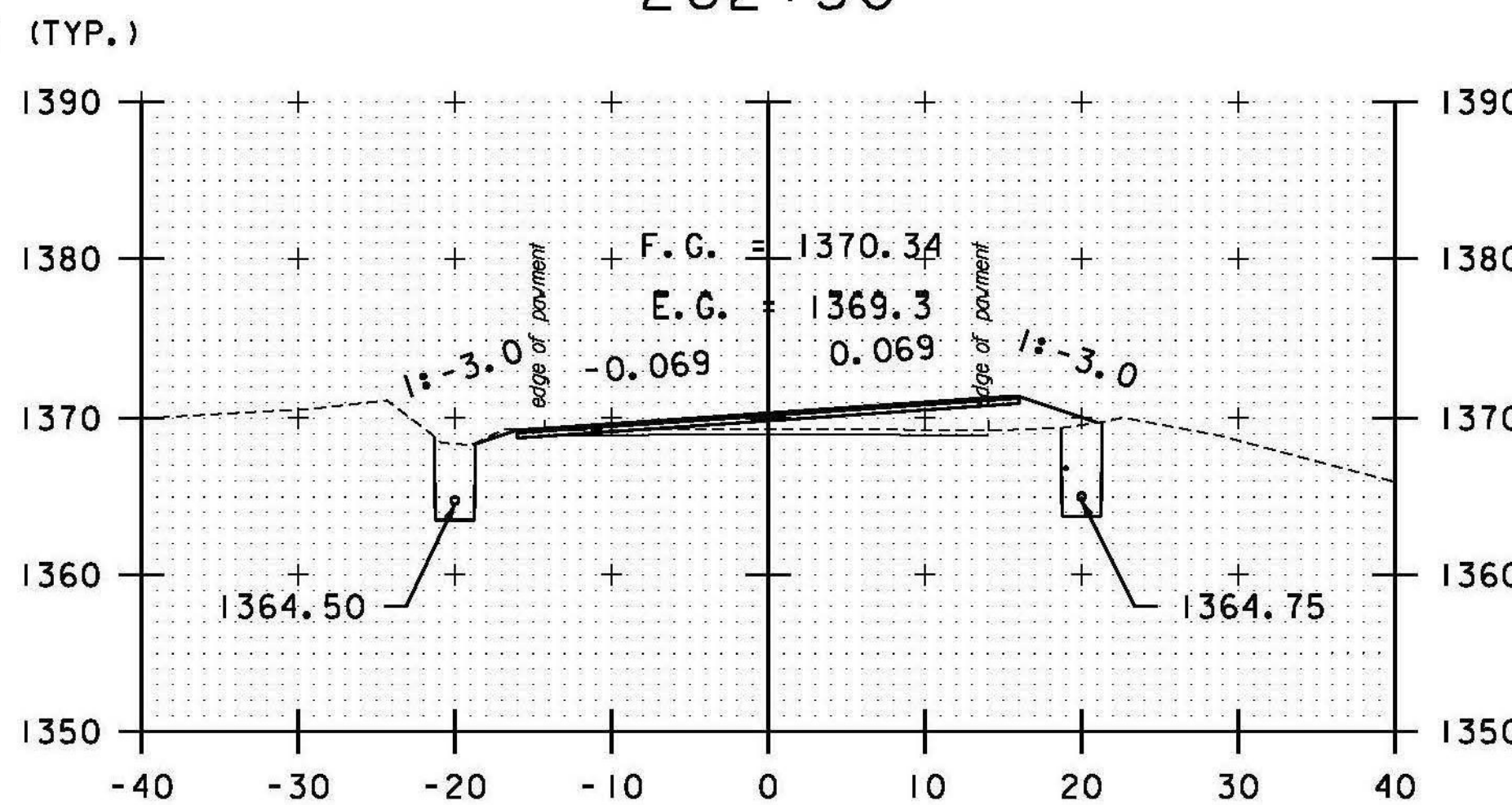
262+50



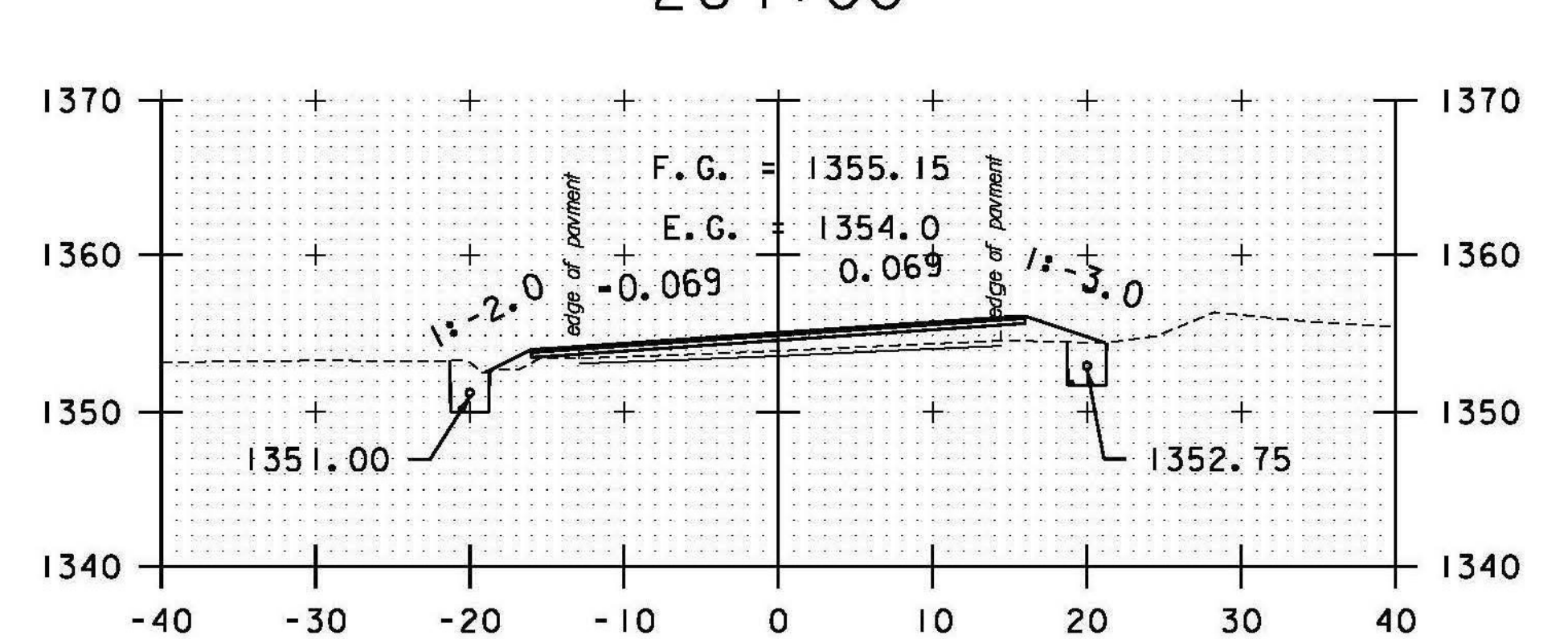
264+00



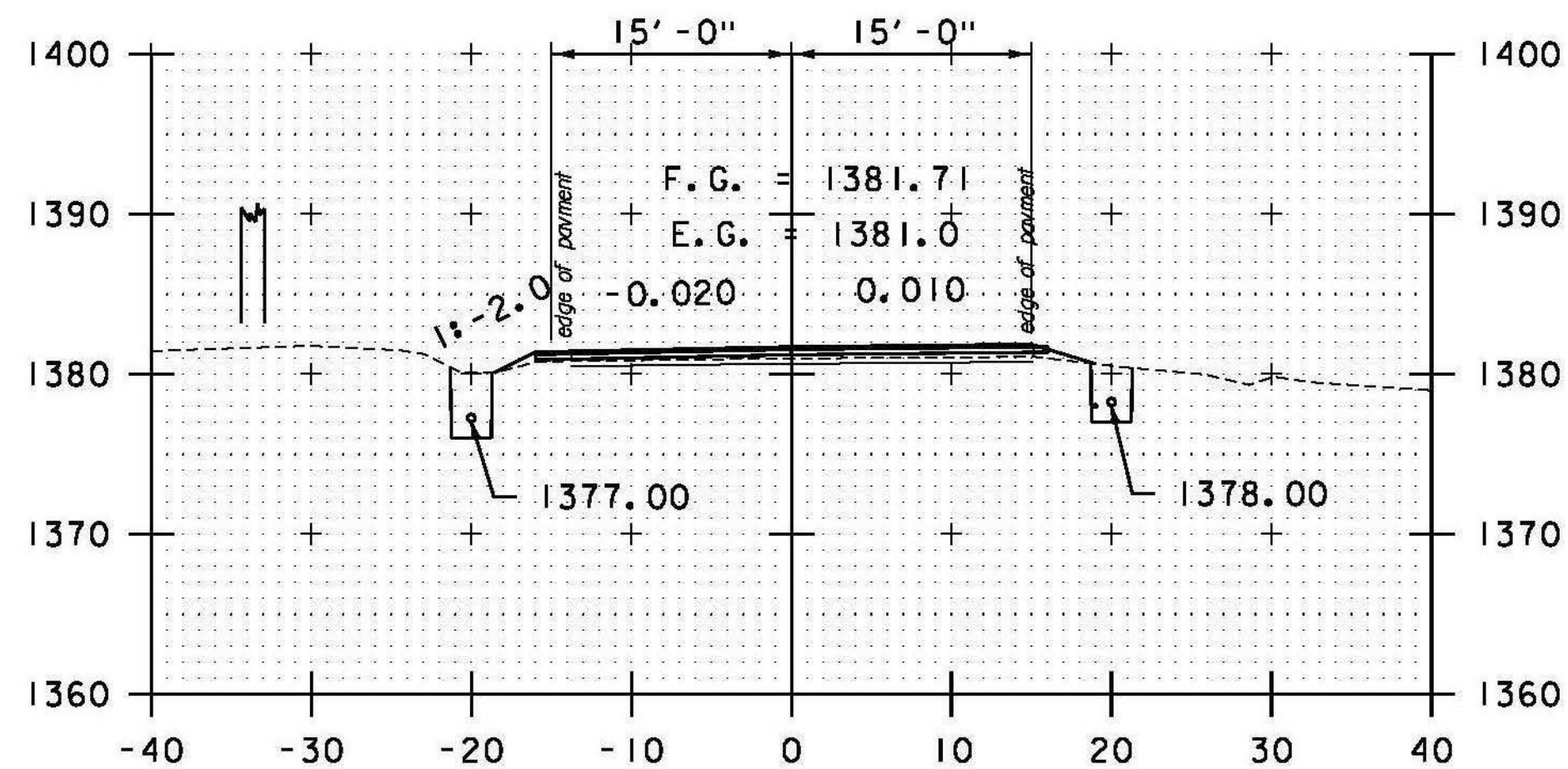
LT#6 LT / DRIVE RT
260+96



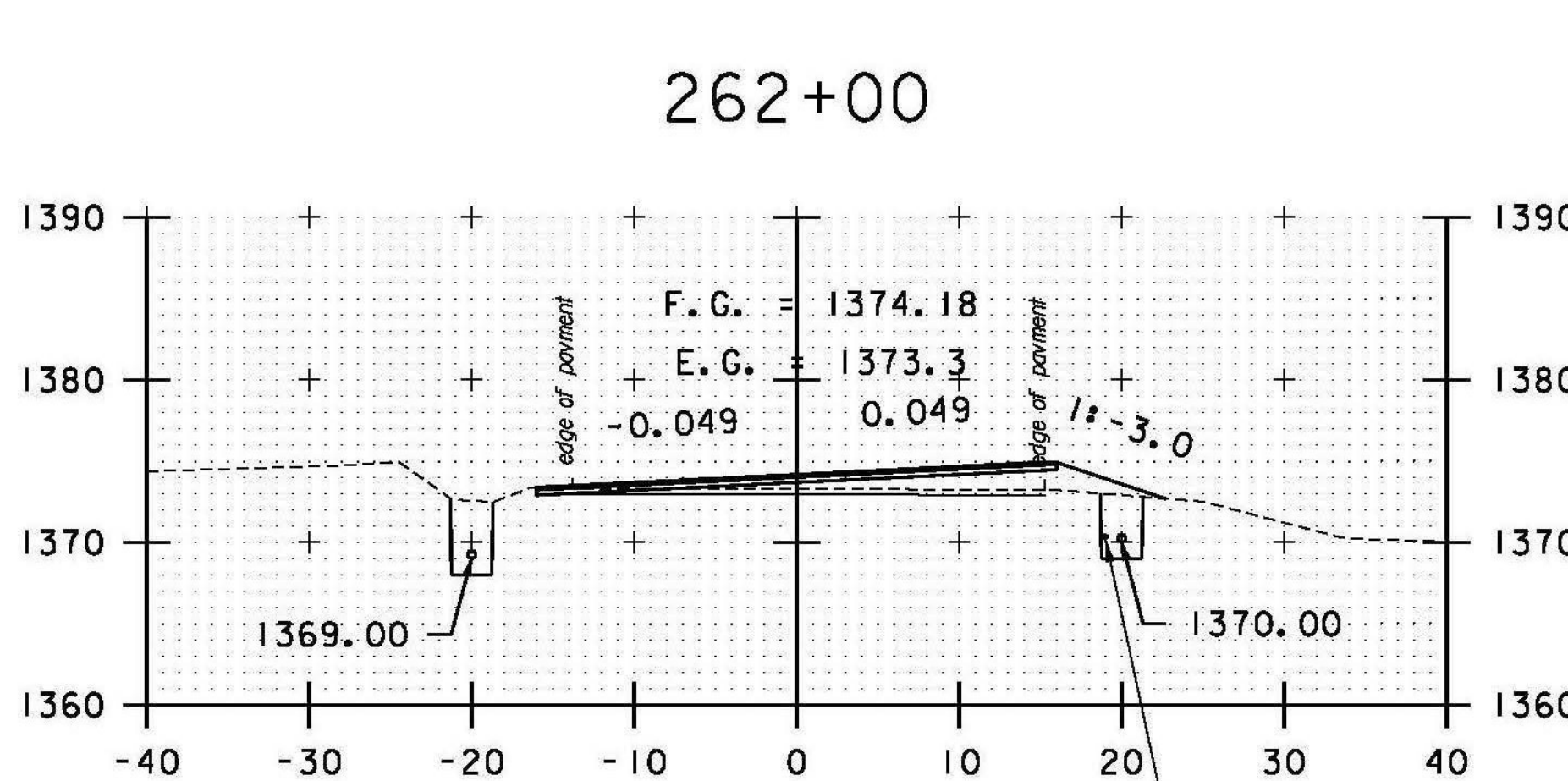
262+00



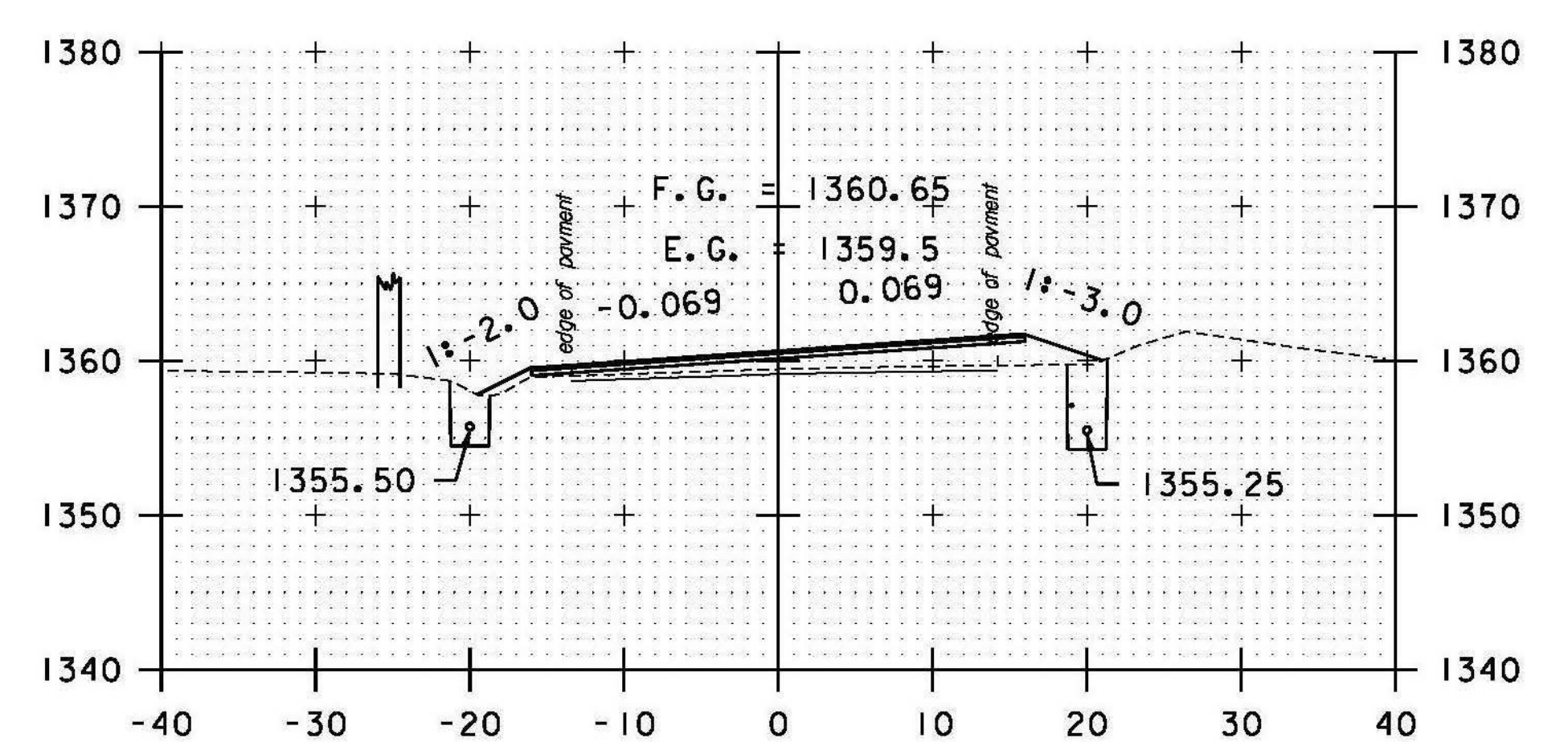
263+50



LT#6 RT
260+50



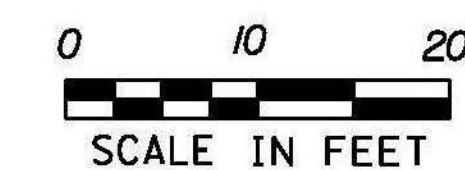
261+50



263+00

STA. 260+50 TO STA. 264+00

DATUM
VERTICAL NAVD 88
HORIZONTAL NAD 83 (07)



PROJECT NAME: RANDOLPH
PROJECT NUMBER: STP 2932 (1)

FILE NAME: z10c270.dgn
PROJECT LEADER: C. LATHROP
DESIGNED BY: B. BRESLEND
VT 66 CROSS SECTION SHEET 54

PLOT DATE: 6/5/2014
DRAWN BY: B. BRESLEND
CHECKED BY: C. LATHROP
SHEET 210 OF 276