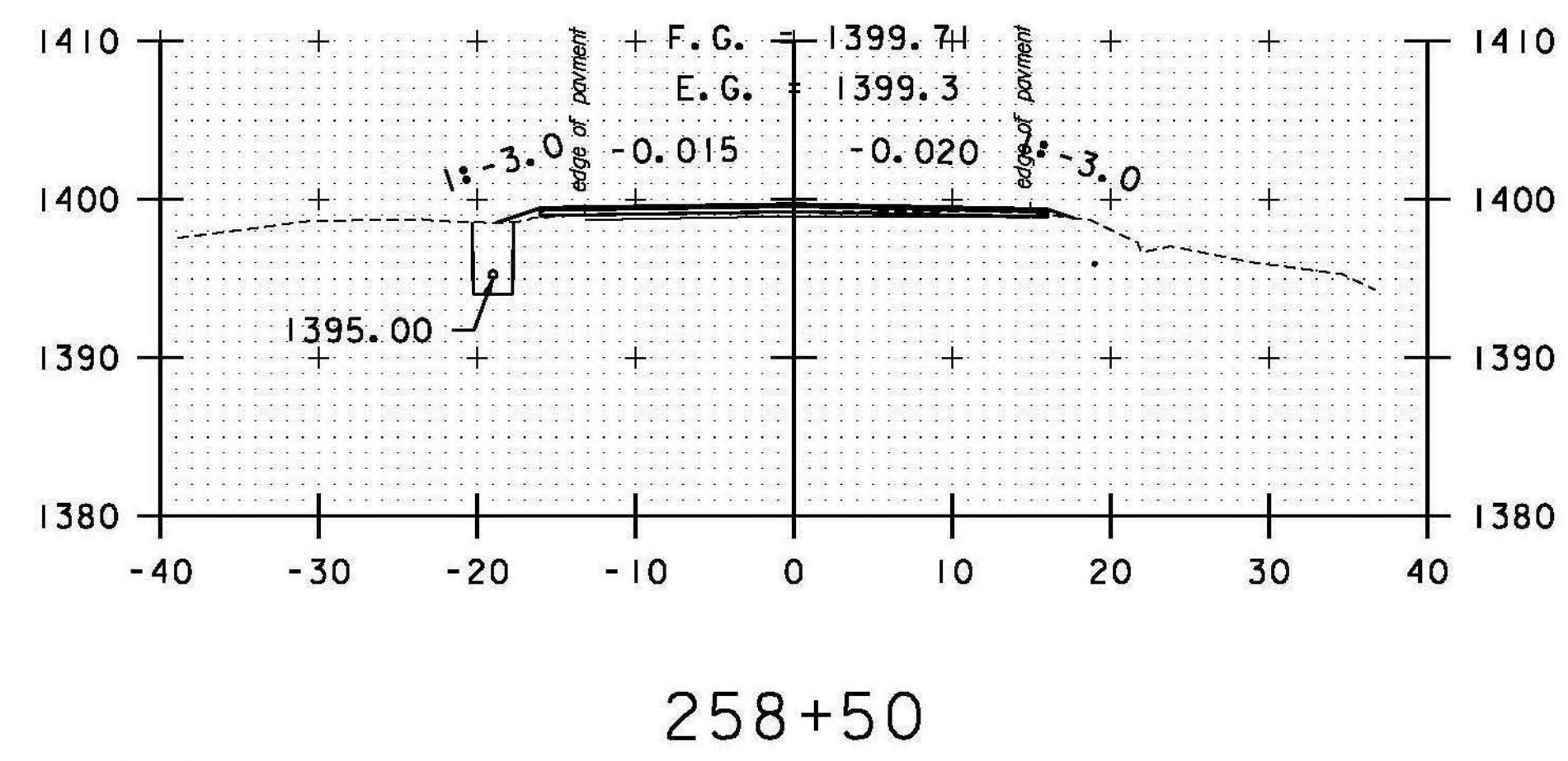
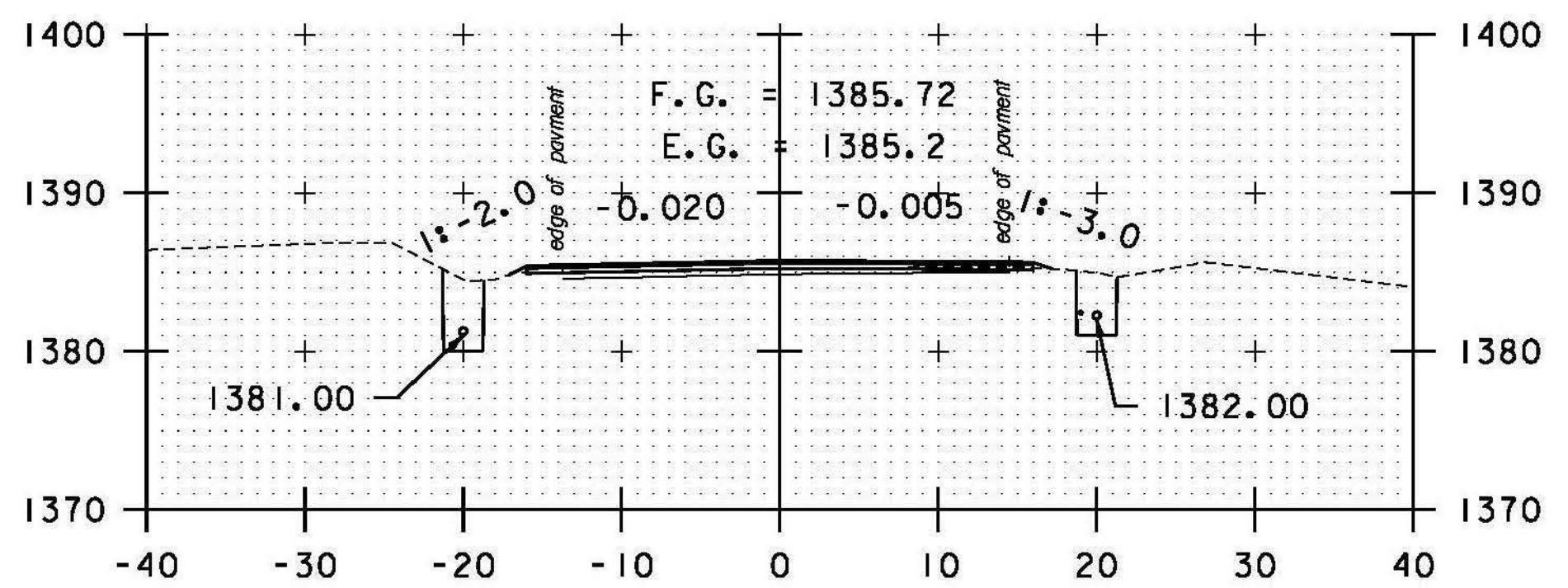


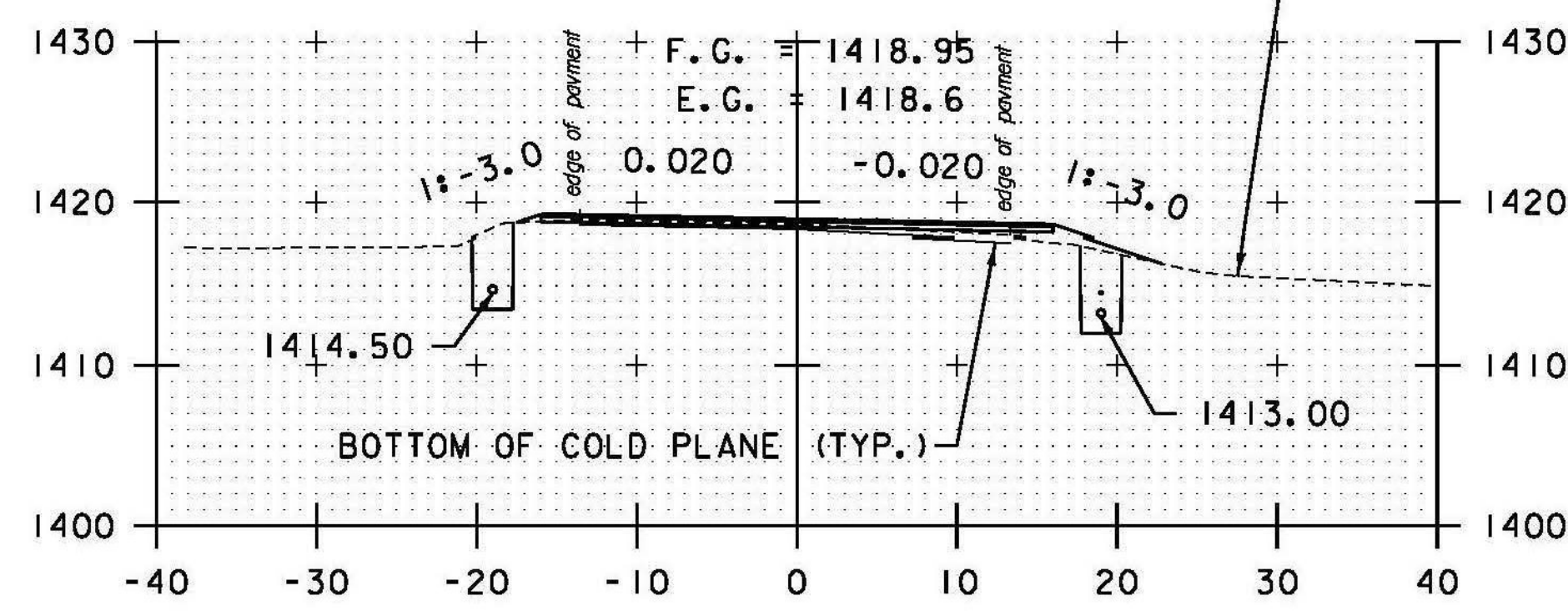
257+00



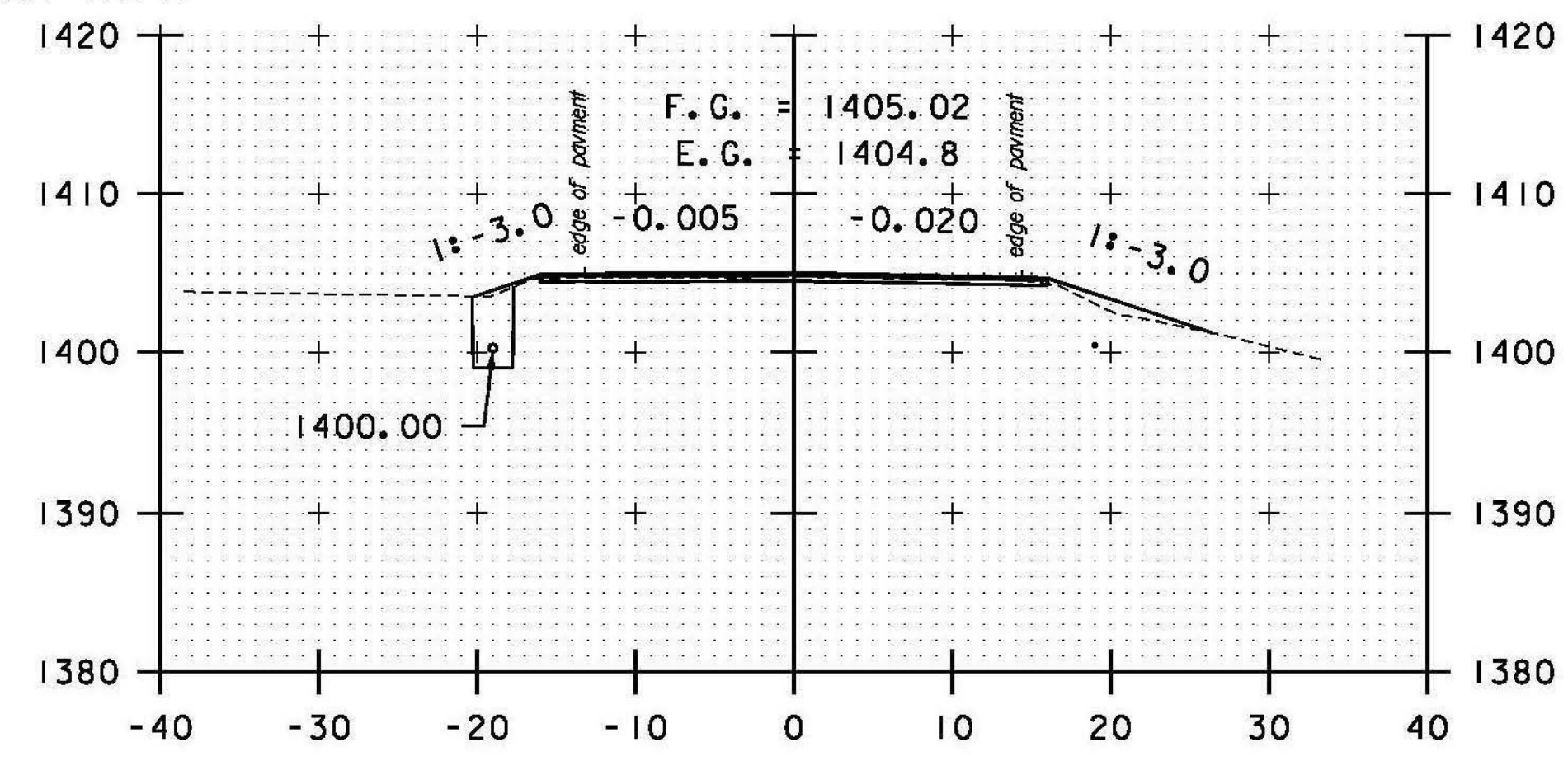
258+50



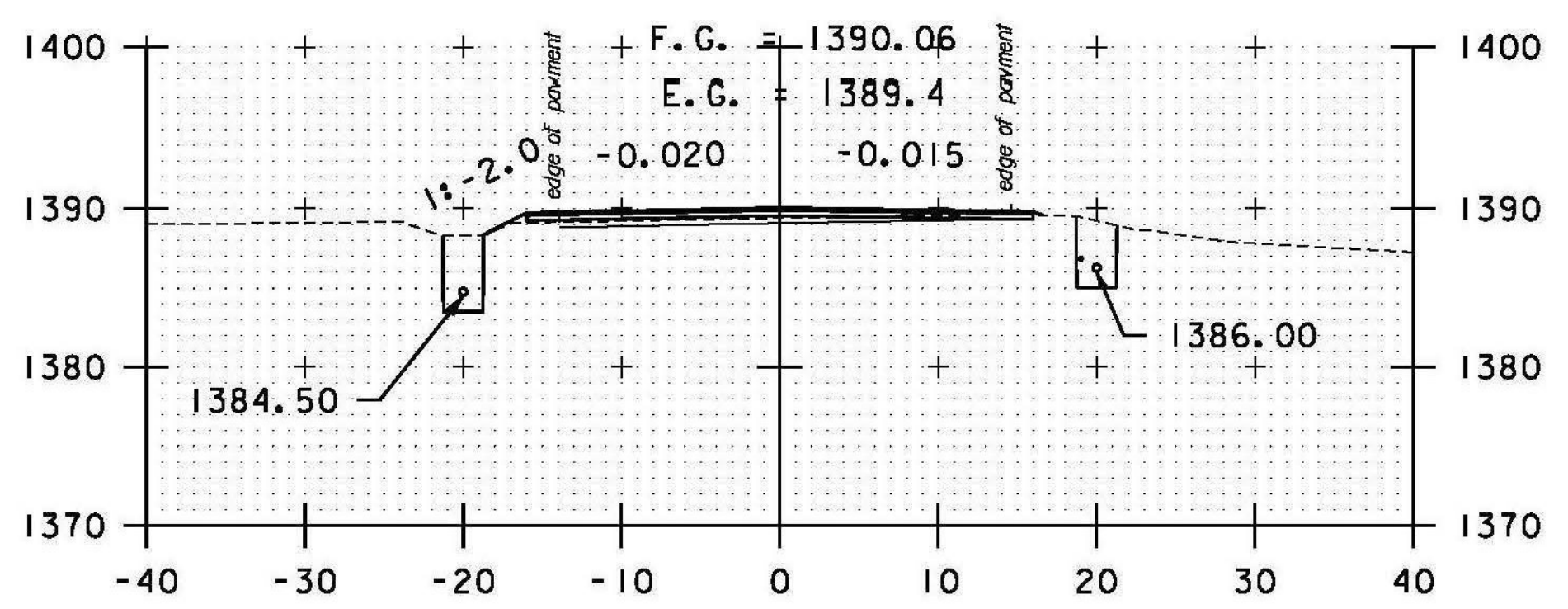
260+00



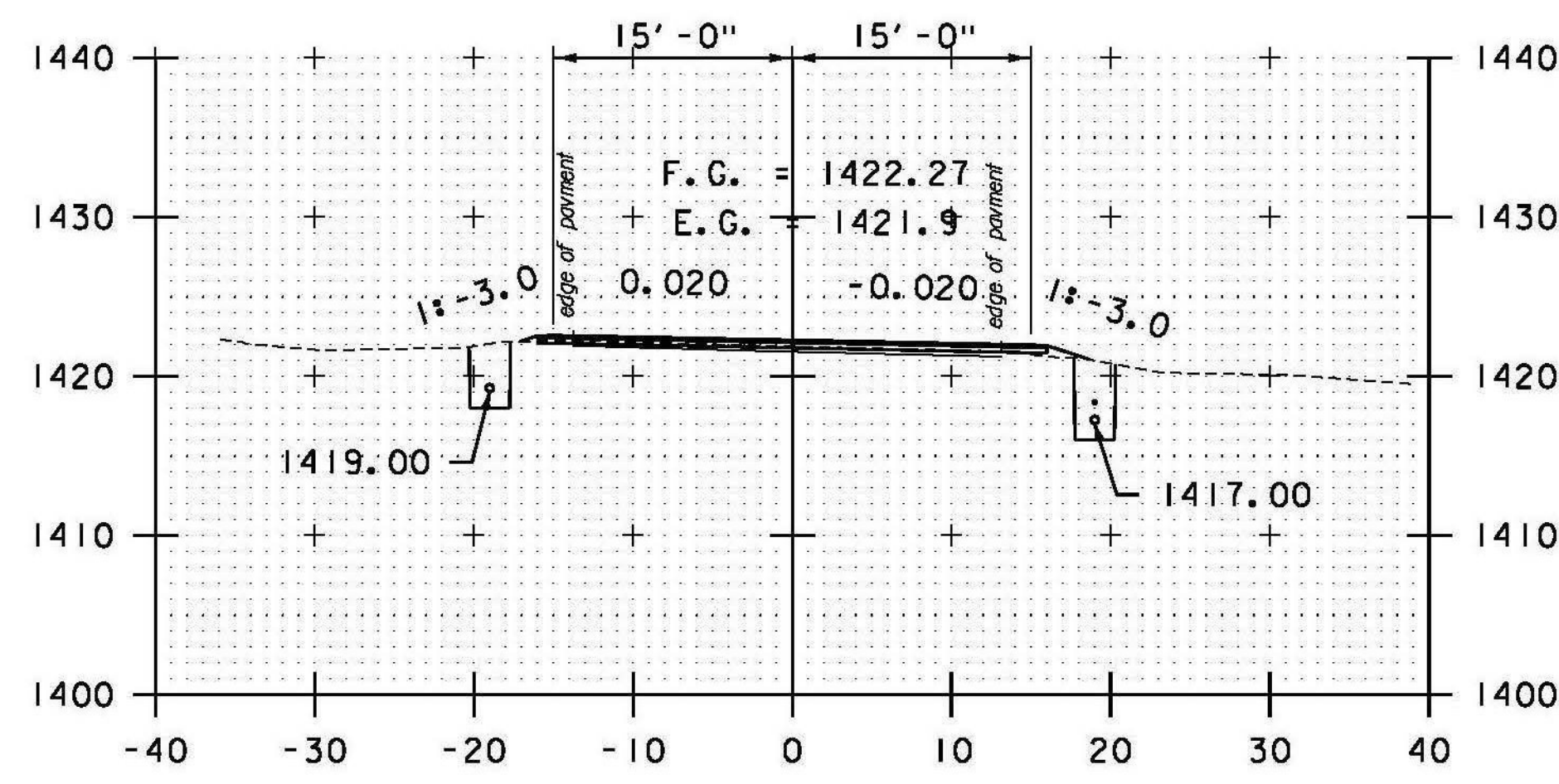
256+50



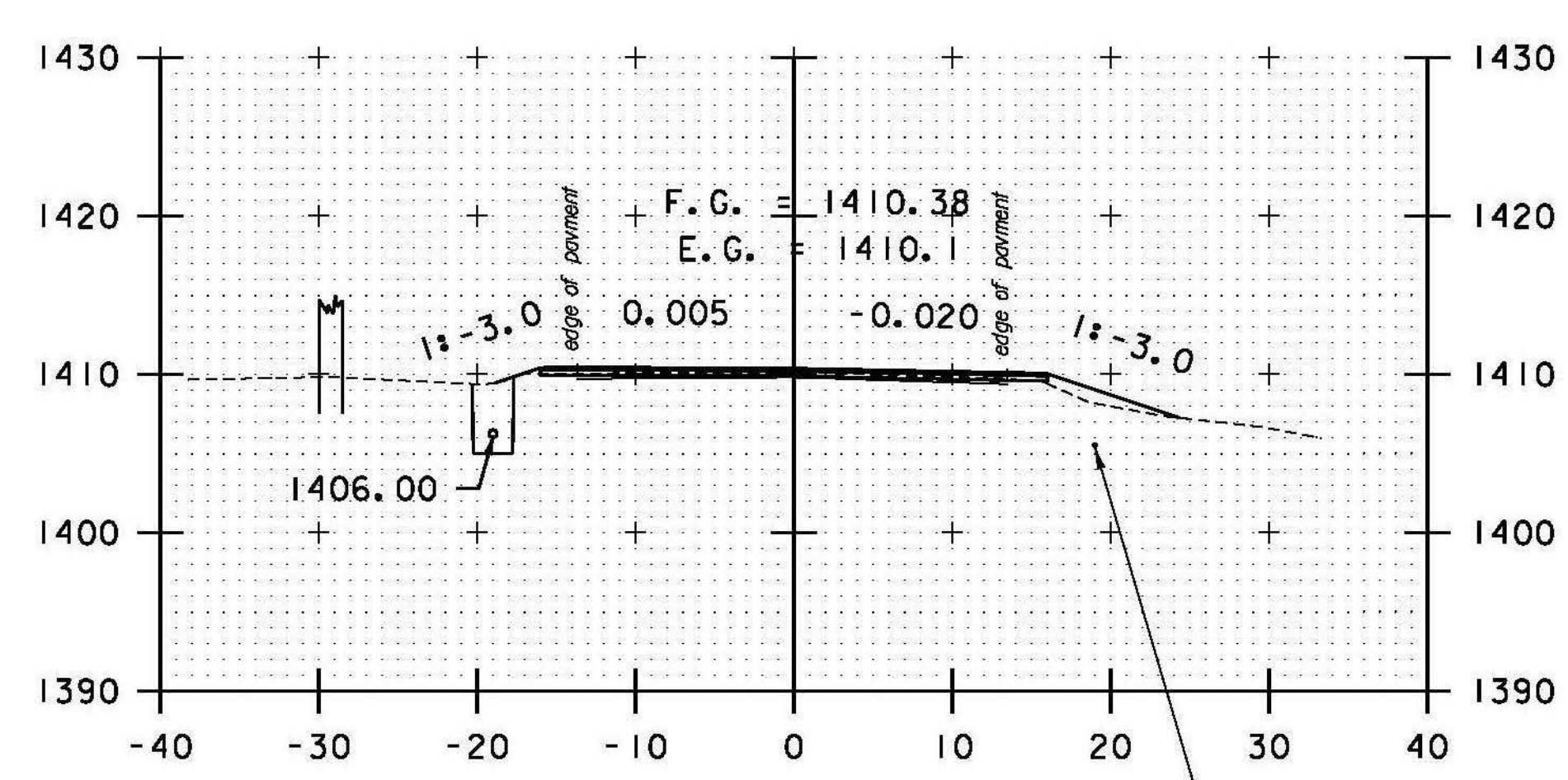
258+00



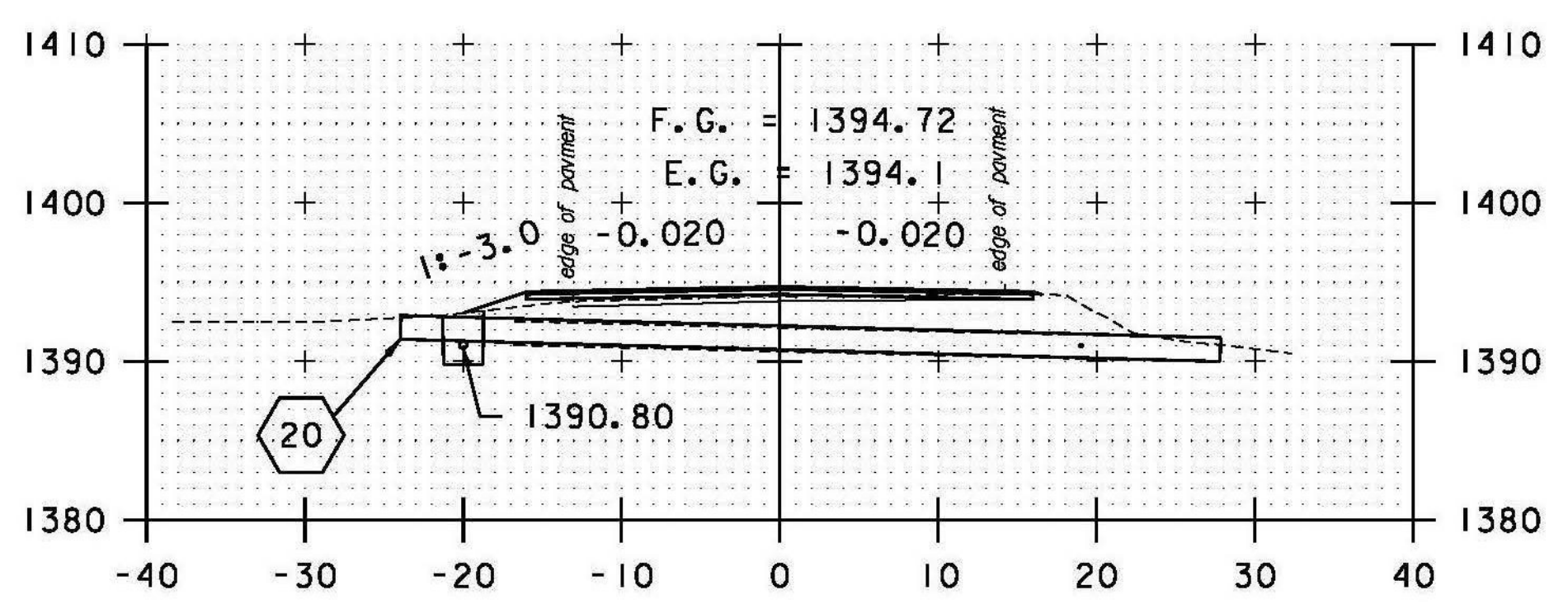
259+50




256+00



257+50

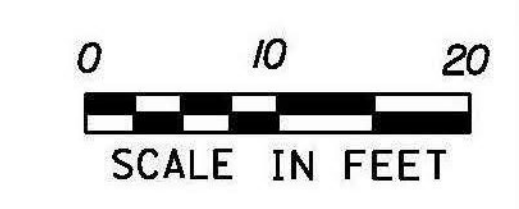


259+00

 STA. 258+76.54 LT 23.96' TO
 STA. 258+91.95 RT 27.79'
 REMOVE HEADWALL AND PIPE
 INSTALL 18" CPEP (54'-0")
 INV. IN = 1391.40'
 INV. OUT = 1390.00'

STA. 256+00 TO STA. 260+00

DATUM
 VERTICAL NAVD 88
 HORIZONTAL NAD 83 (07)



PROJECT NAME: RANDOLPH
 PROJECT NUMBER: STP 2932 (1)
 FILE NAME: z10c270.dgn
 PROJECT LEADER: C. LATHROP
 DESIGNED BY: B. BRESLEND
 VT 66 CROSS SECTION SHEET 53

PLOT DATE: 6/5/2014
 DRAWN BY: B. BRESLEND
 CHECKED BY: C. LATHROP
 SHEET 209 OF 276