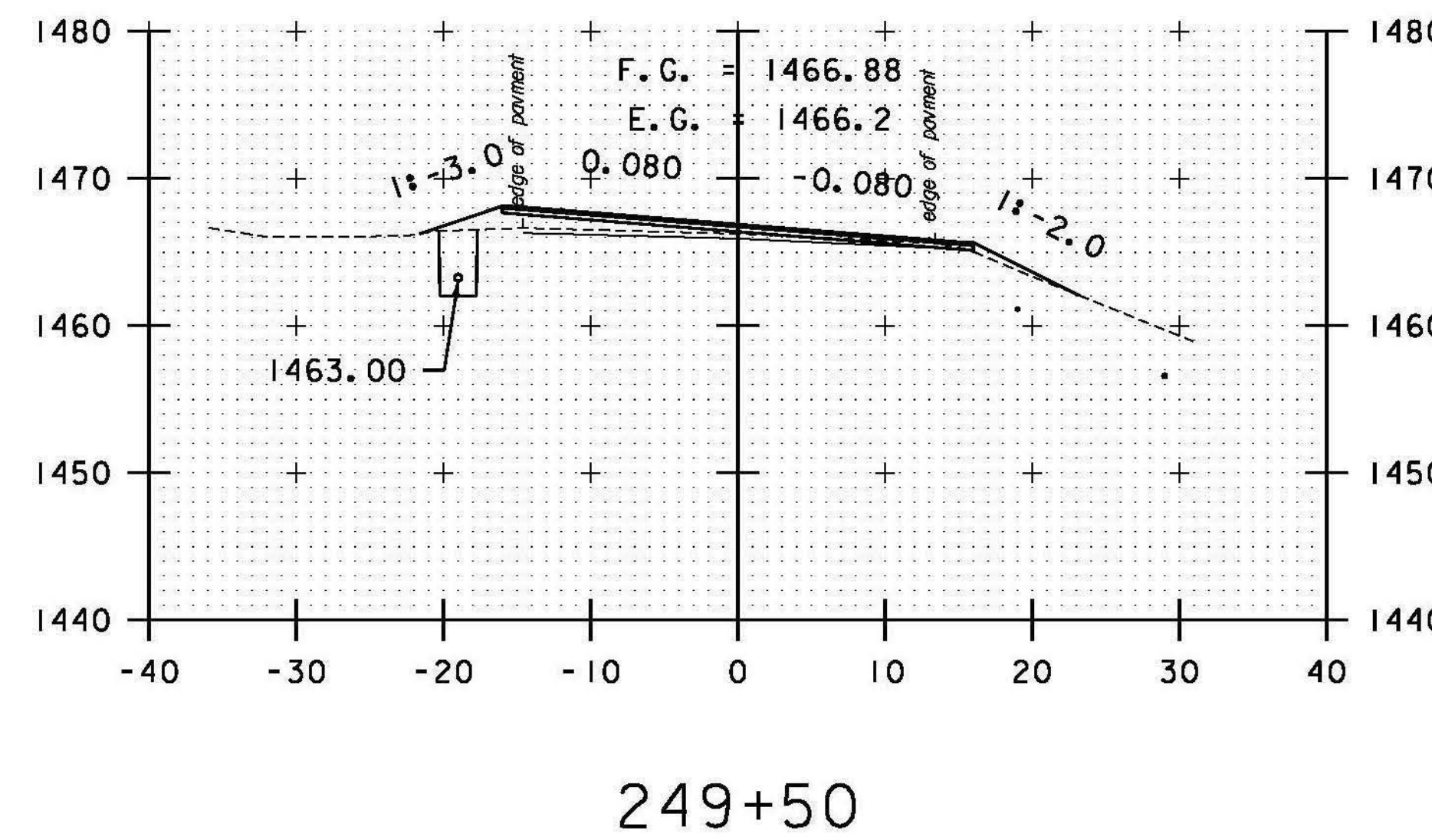
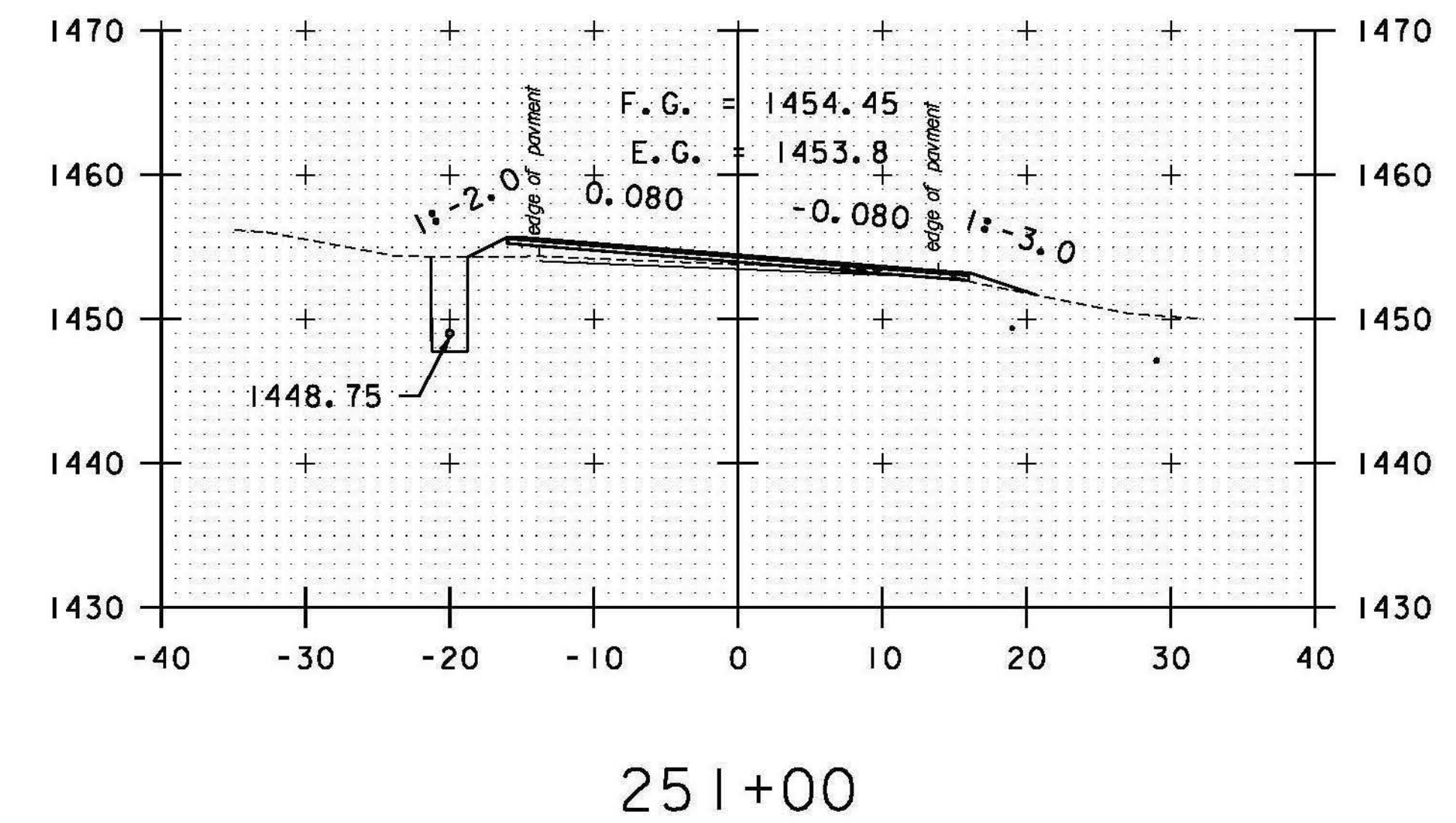


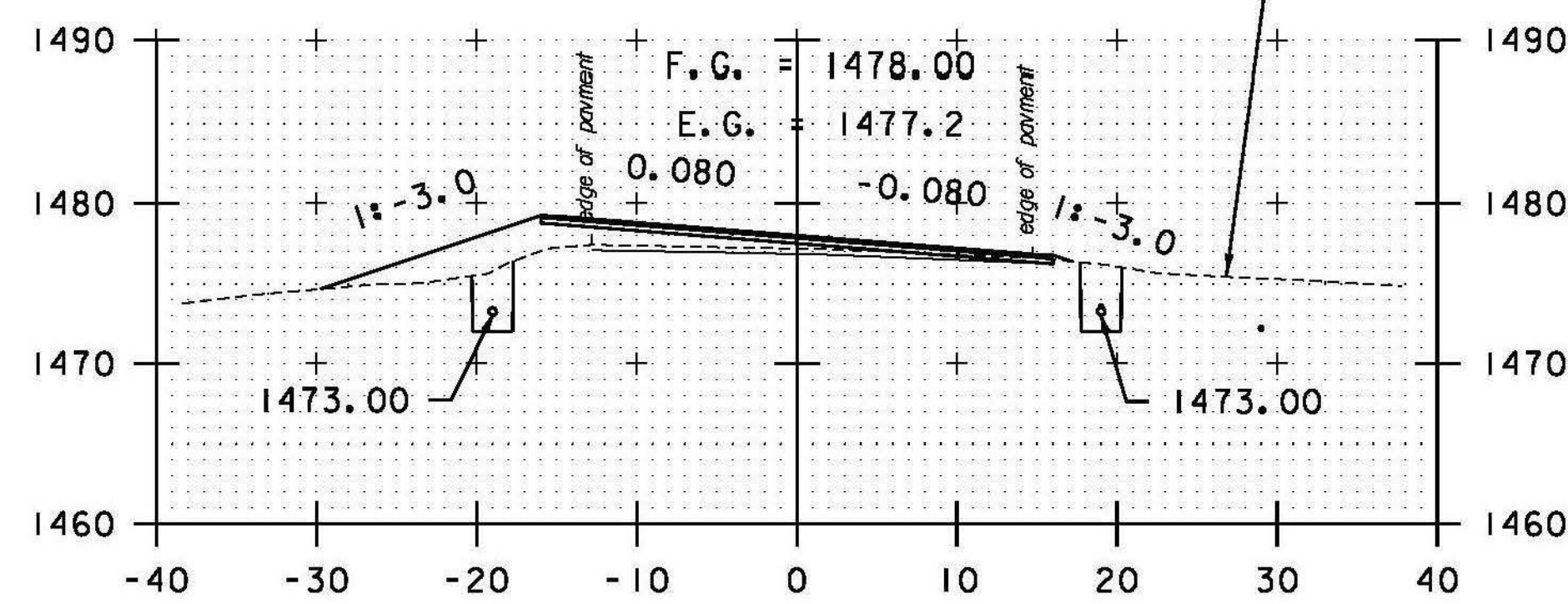
DRIVE LT
248+00



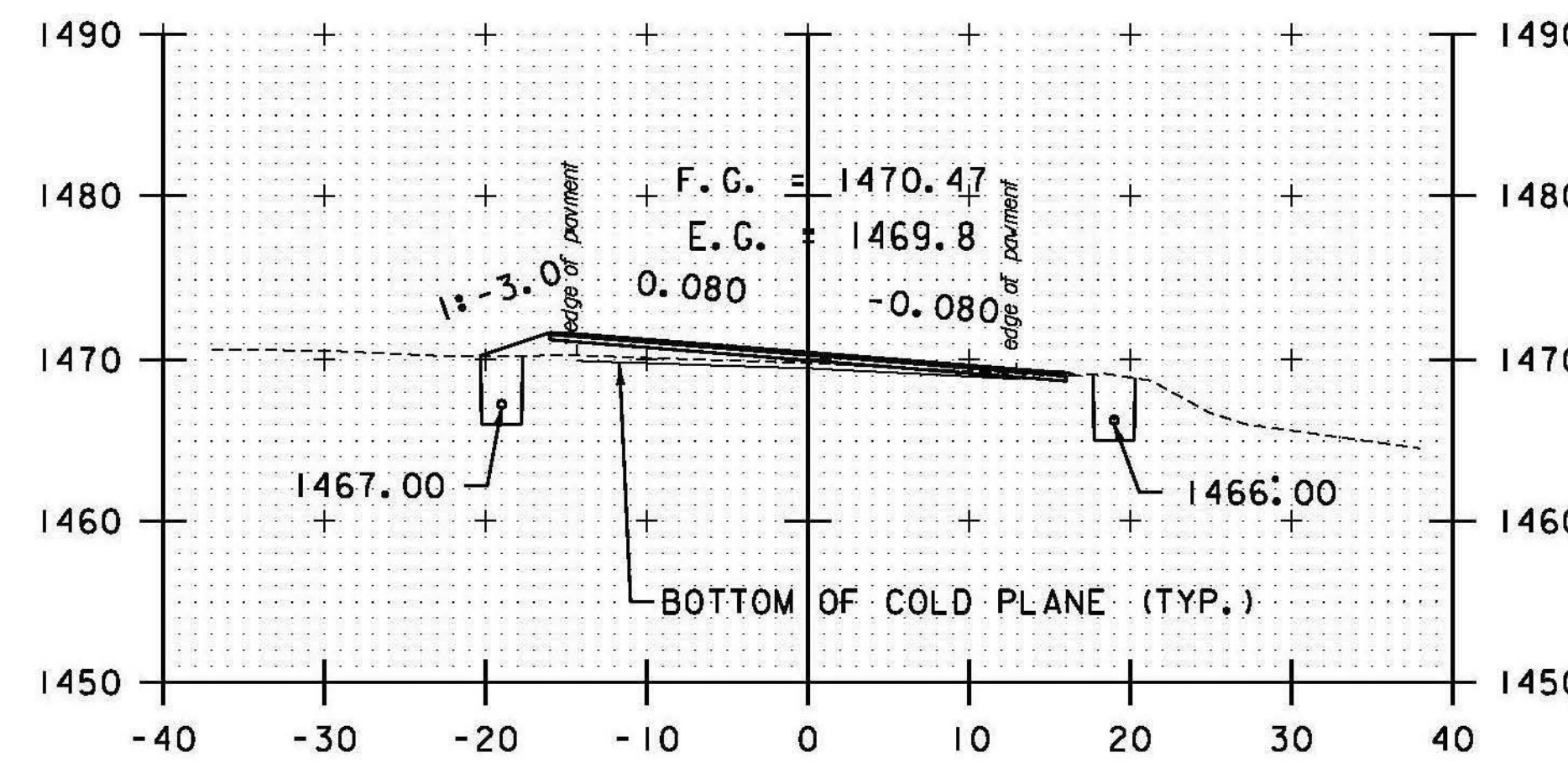
249+50



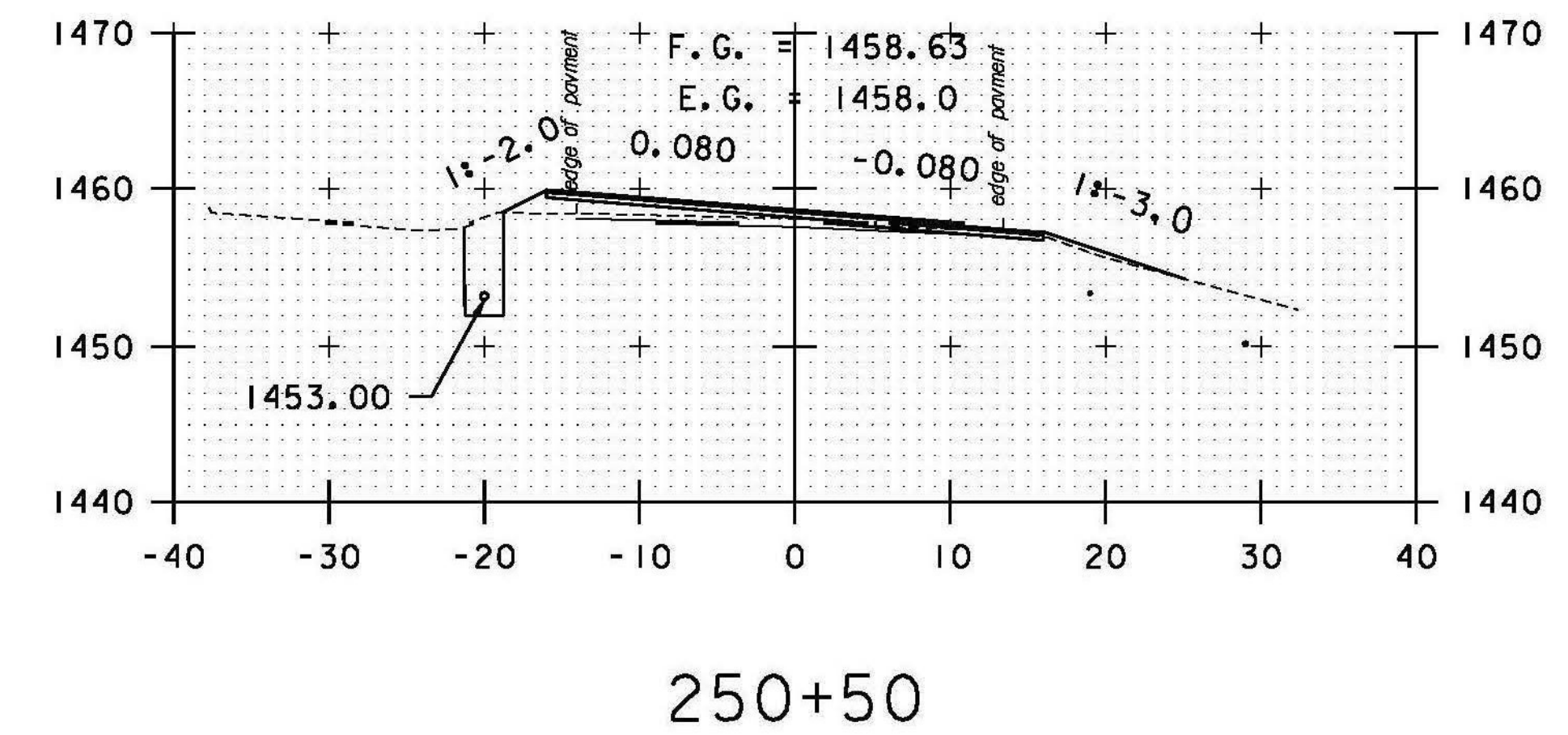
251+00



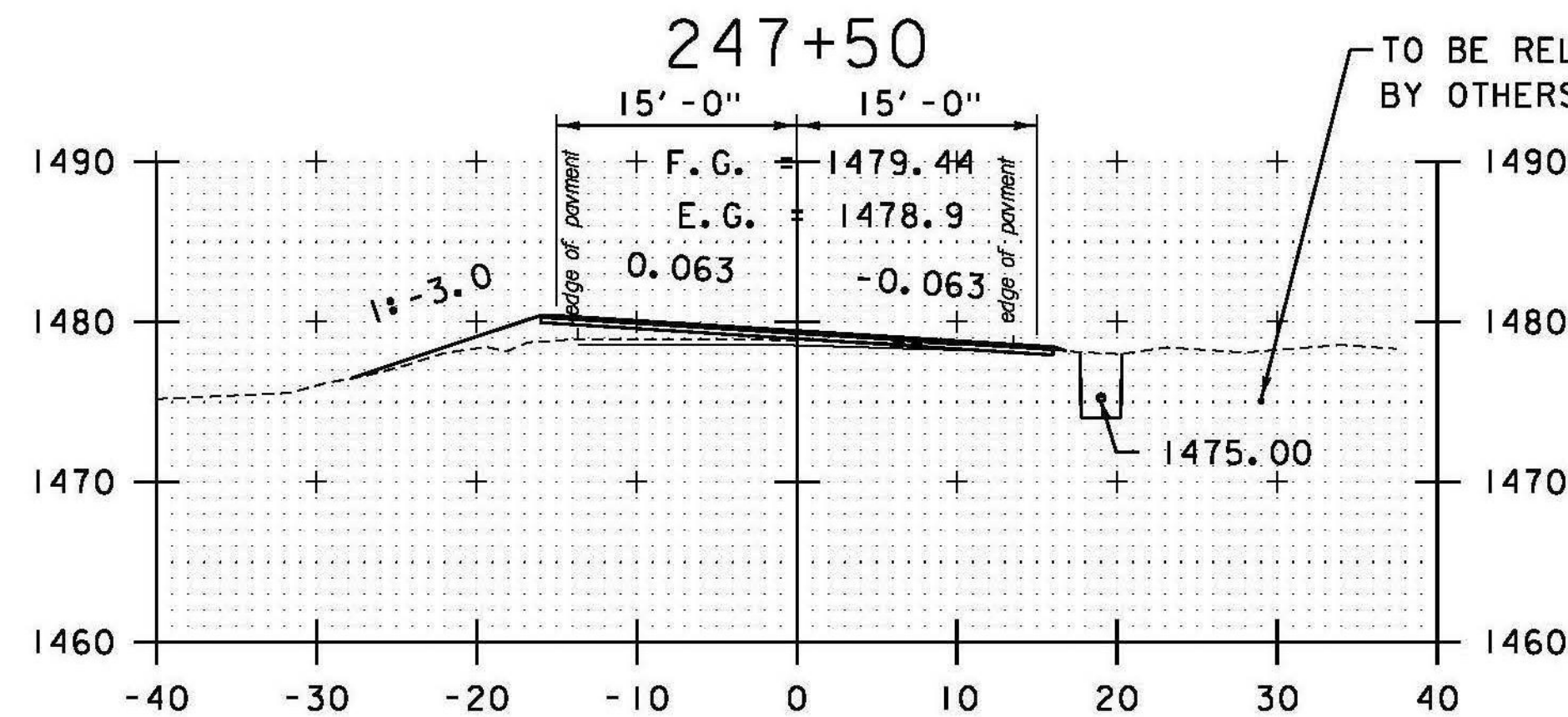
247+50



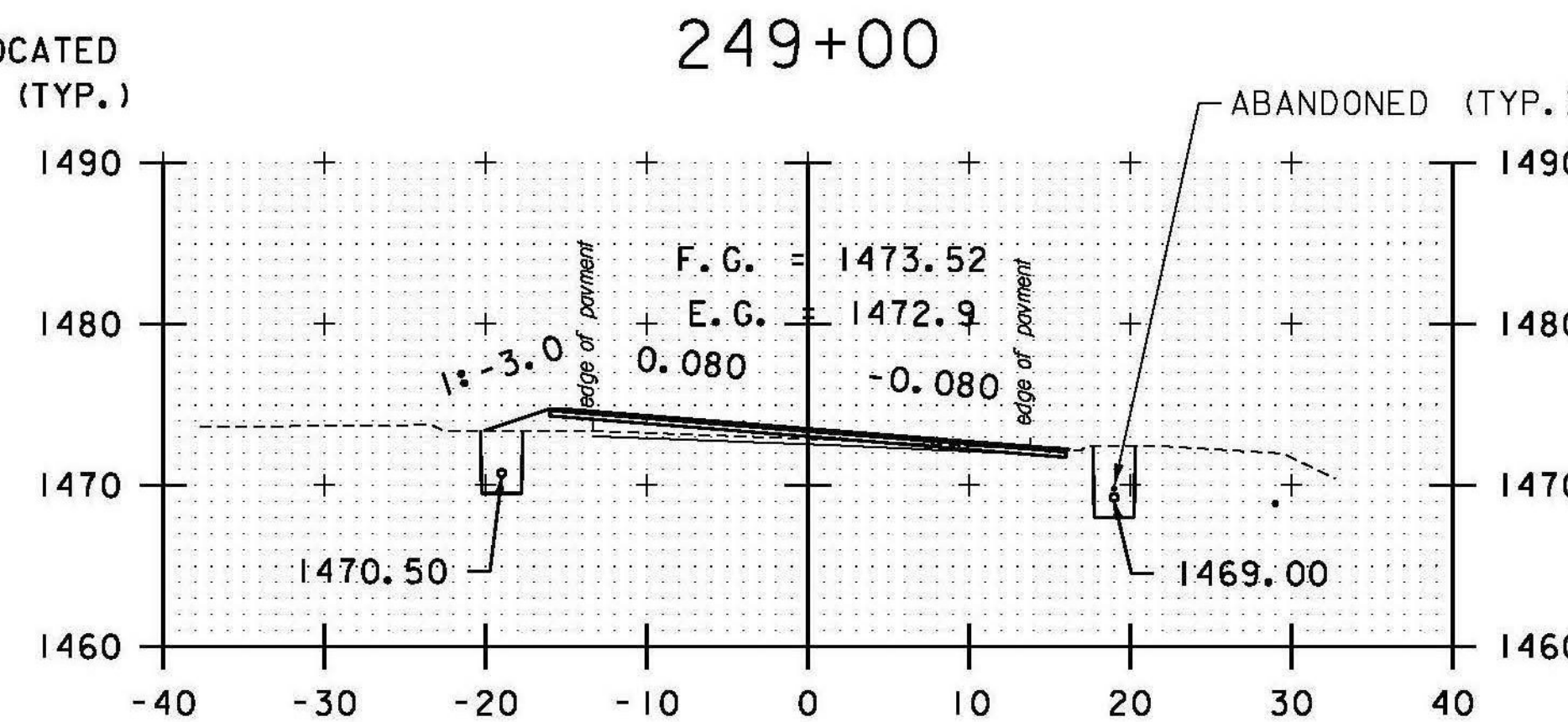
249+00



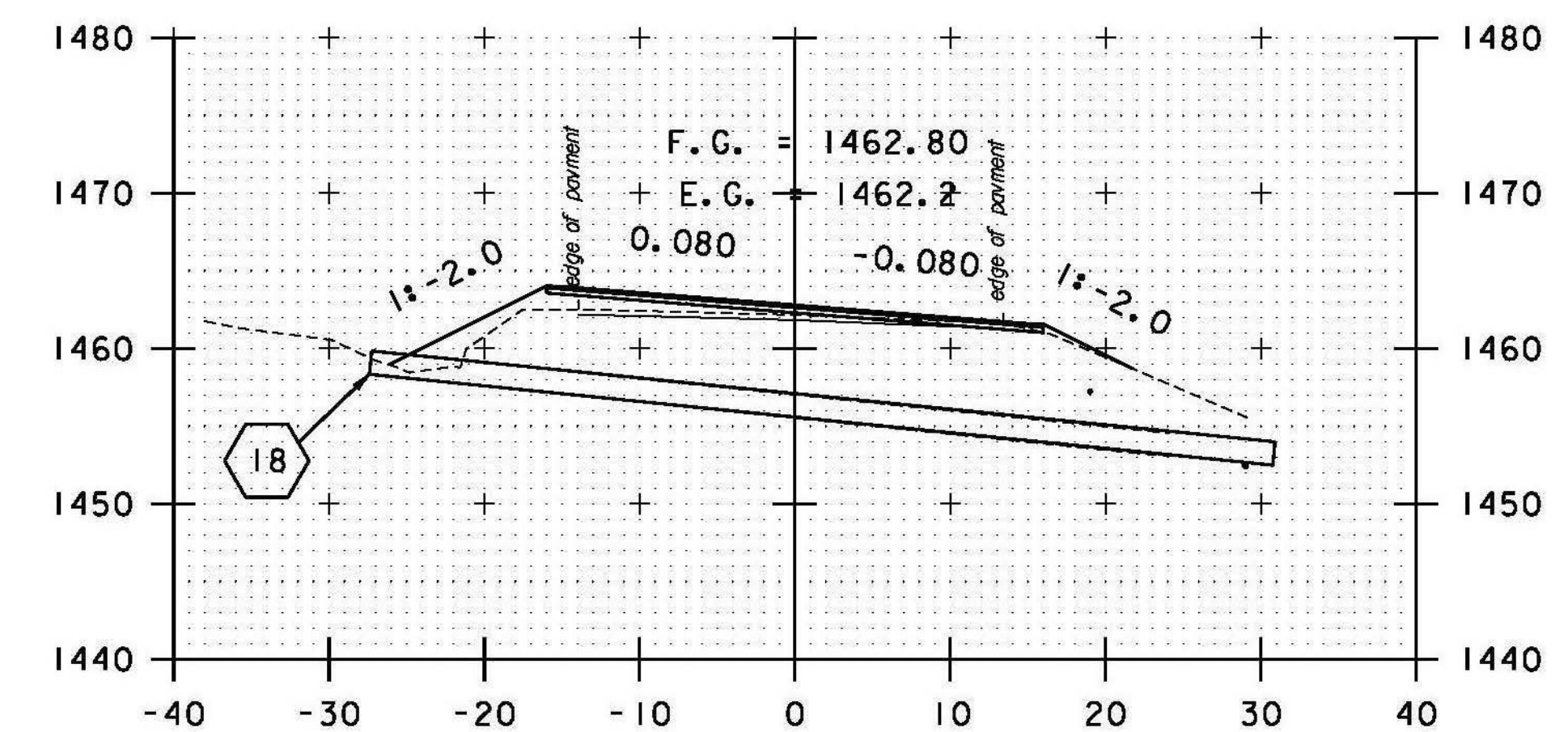
250+50



247+00



248+50

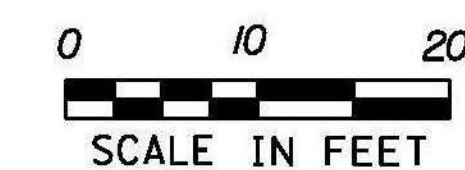


250+00

18 STA. 249+99.82 LT 27.40' TO
STA. 250+26.65 RT 30.75'
REMOVE HEADWALL AND PIPE
INSTALL 18" CPEP (64'-0")
INV. IN = 1458.35'
INV. OUT = 1452.50'

STA. 247+00 TO STA. 251+00

DATUM
VERTICAL NAVD 88
HORIZONTAL NAD 83 (07)



PROJECT NAME: RANDOLPH
PROJECT NUMBER: STP 2932 (1)

FILE NAME: z10c270.dgn
PROJECT LEADER: C. LATHROP
DESIGNED BY: B. BRESLEND
VT 66 CROSS SECTION SHEET 51

PLOT DATE: 6/5/2014
DRAWN BY: B. BRESLEND
CHECKED BY: C. LATHROP
SHEET 207 OF 276