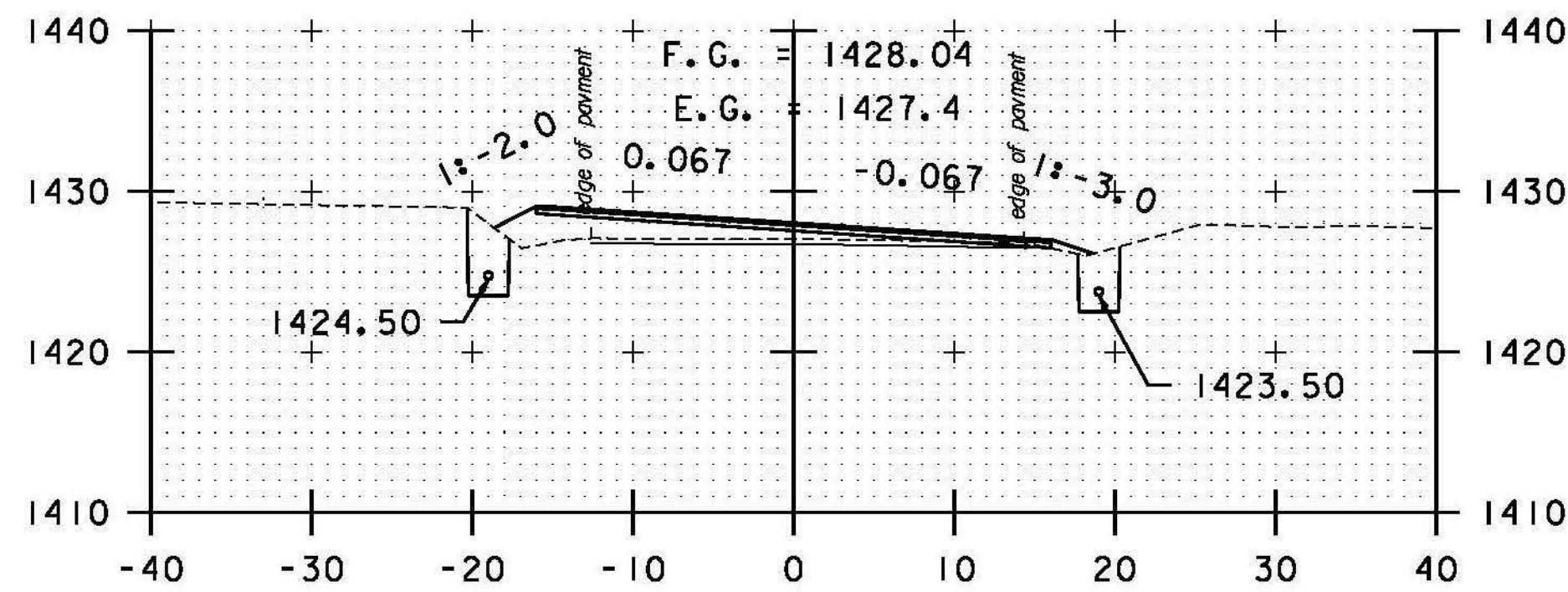
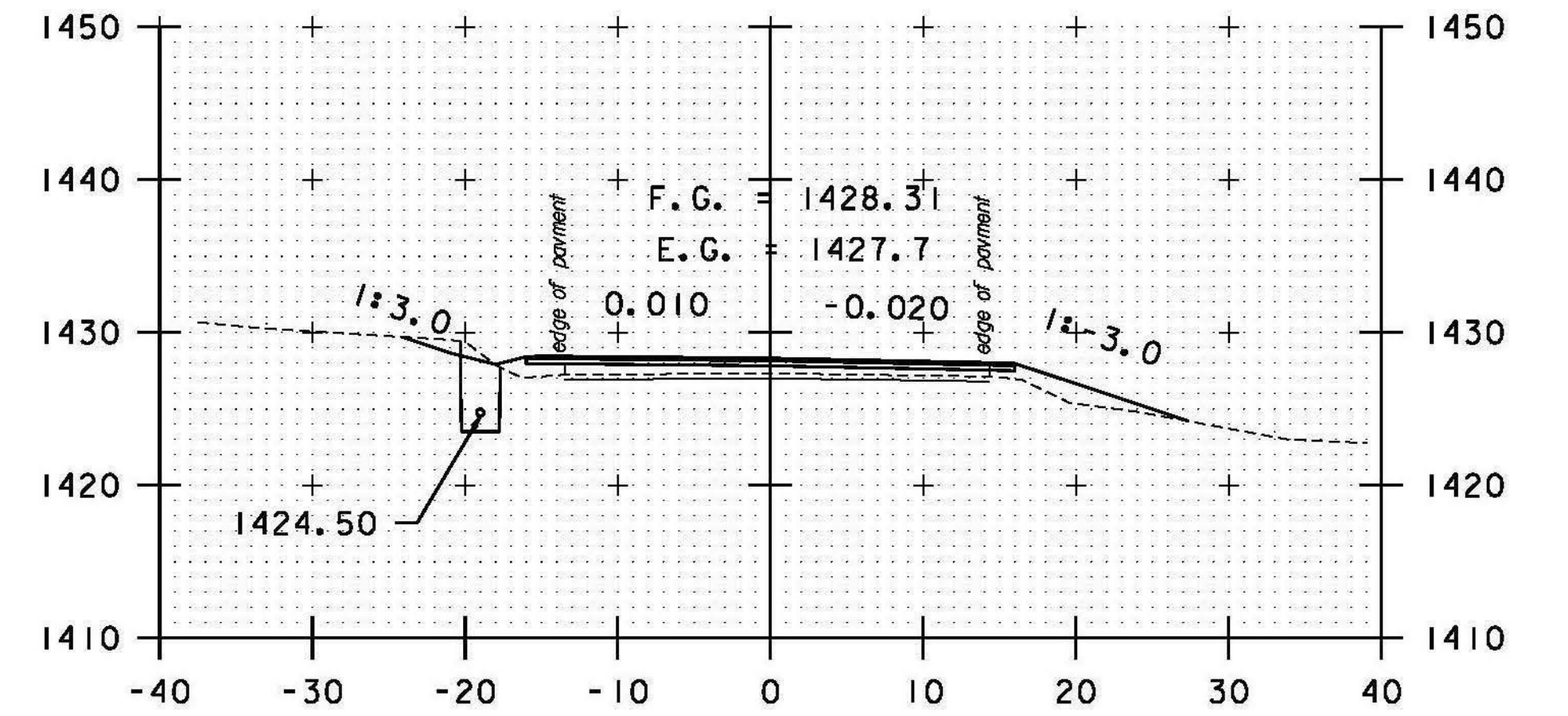


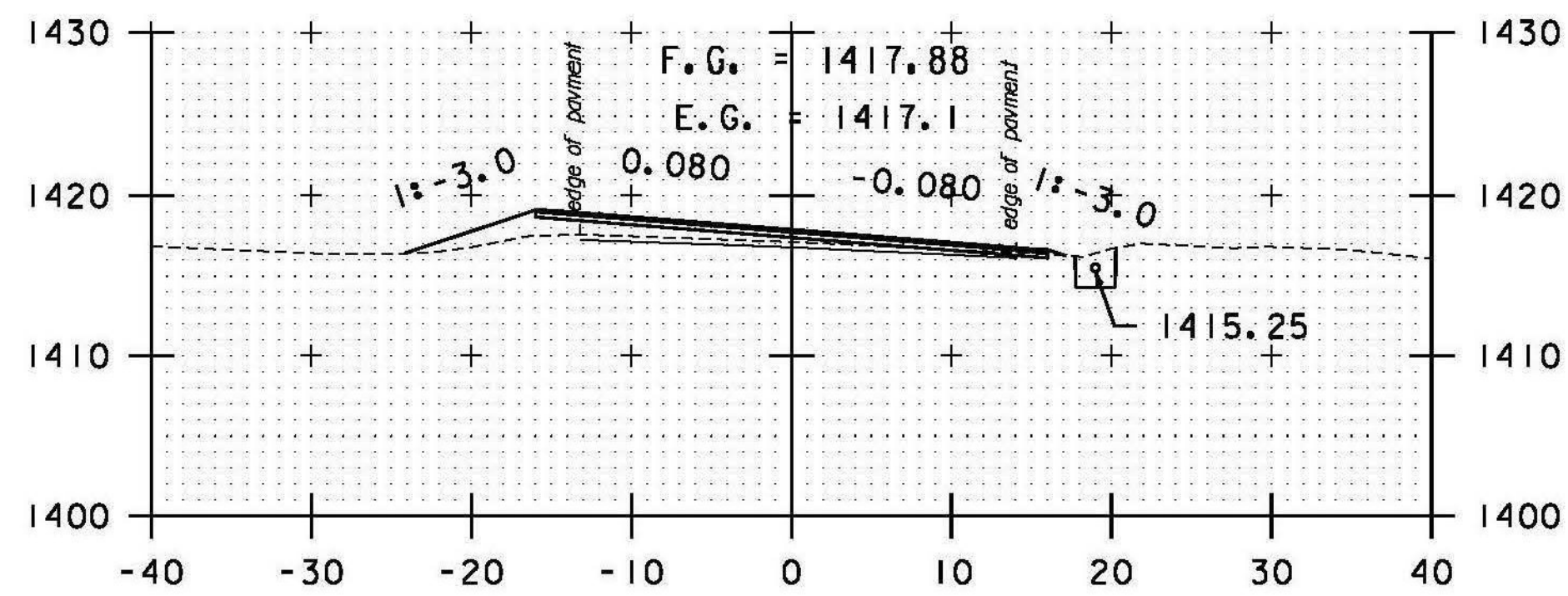
226+00



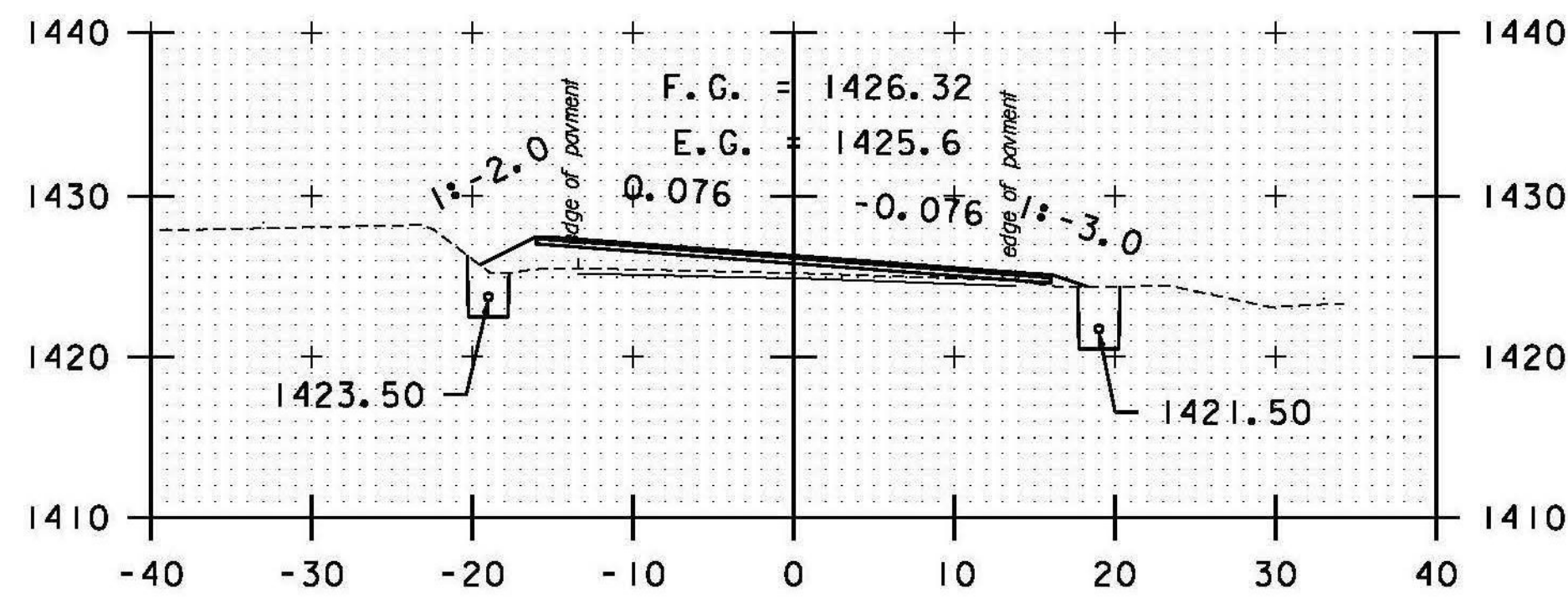
227+50



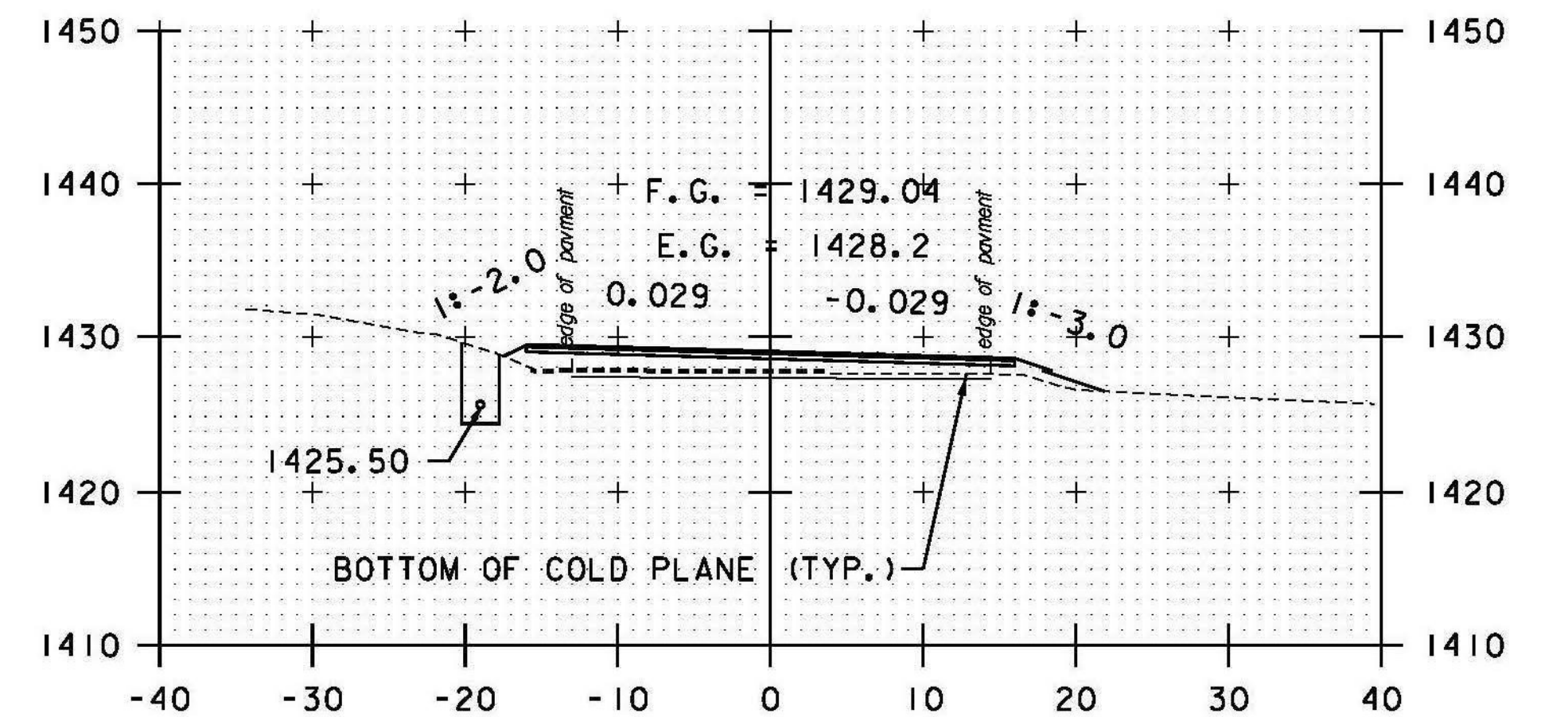
229+00



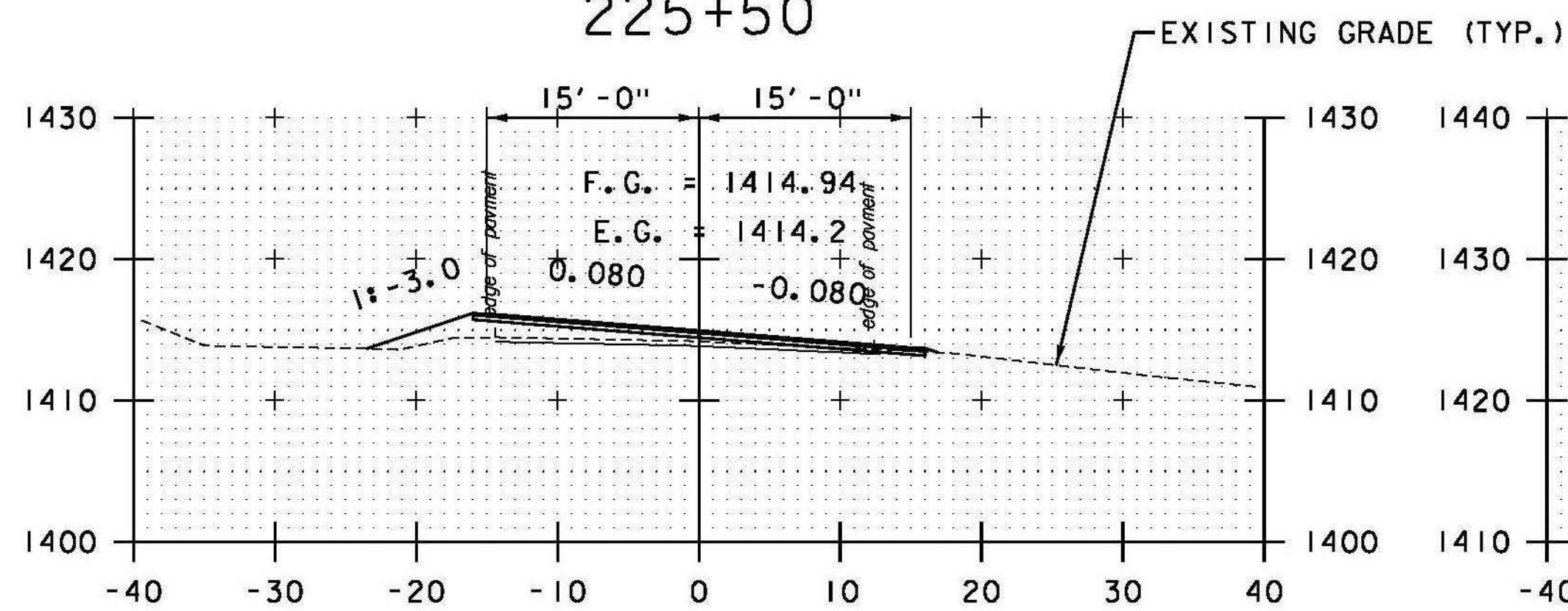
225+50



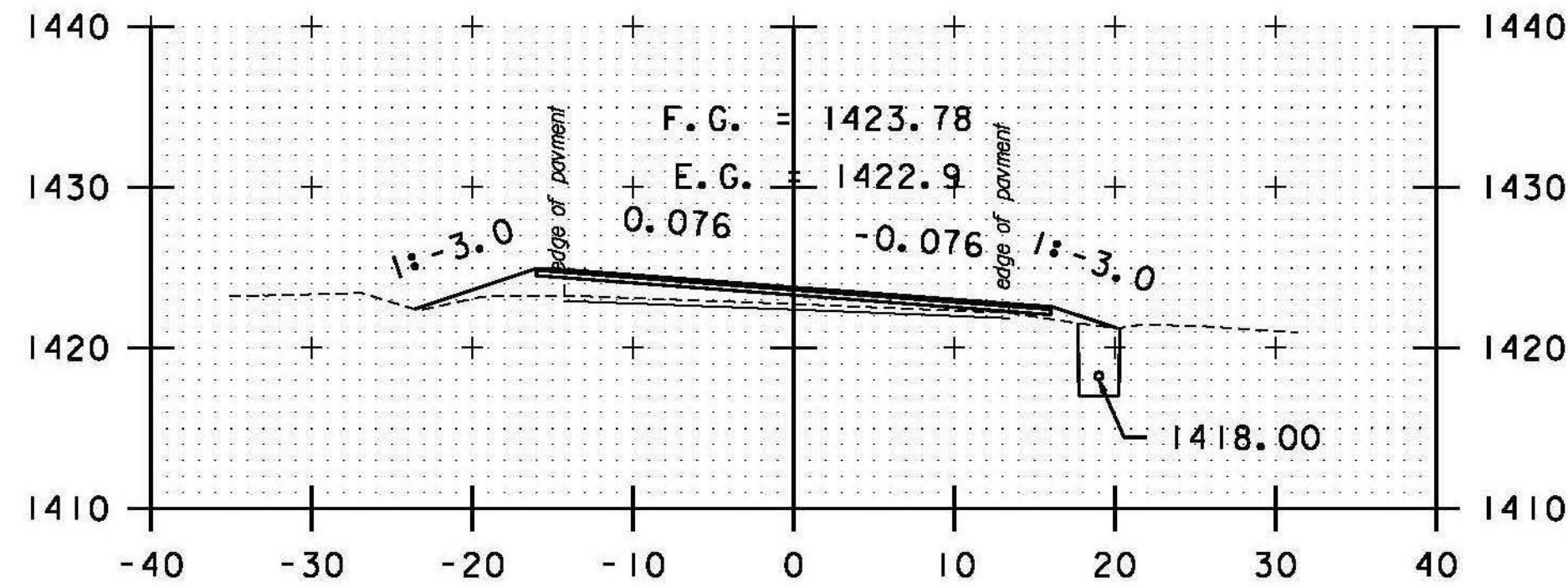
227+00



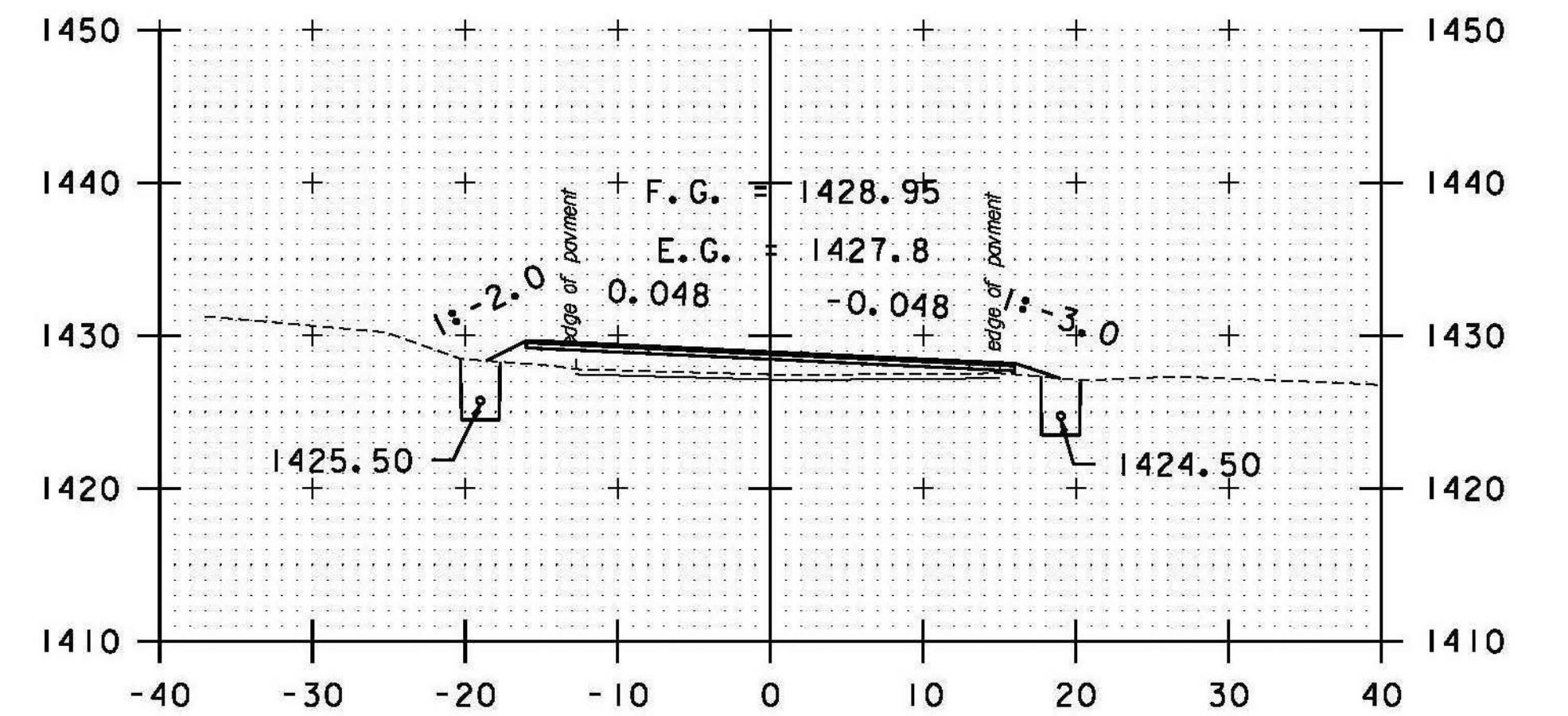
228+50



225+00



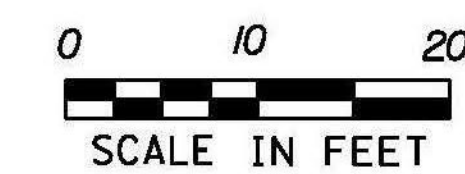
226+50



228+00

STA. 225+00 TO STA. 229+00

DATUM
 VERTICAL NAVD 88
 HORIZONTAL NAD 83 (07)



PROJECT NAME: RANDOLPH
 PROJECT NUMBER: STP 2932 (1)

FILE NAME: z10c270.dgn
 PROJECT LEADER: C. LATHROP
 DESIGNED BY: B. BRESLEND
 VT 66 CROSS SECTION SHEET 46

PLOT DATE: 6/5/2014
 DRAWN BY: B. BRESLEND
 CHECKED BY: C. LATHROP
 SHEET 202 OF 276