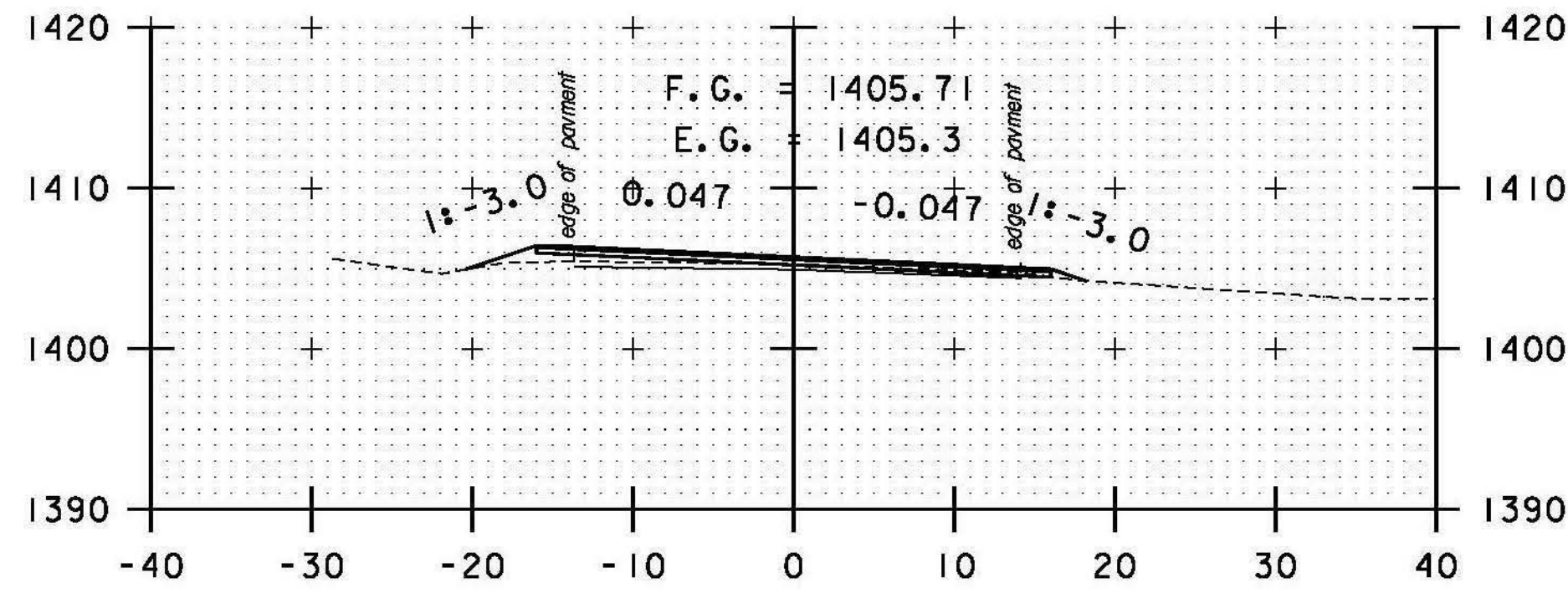
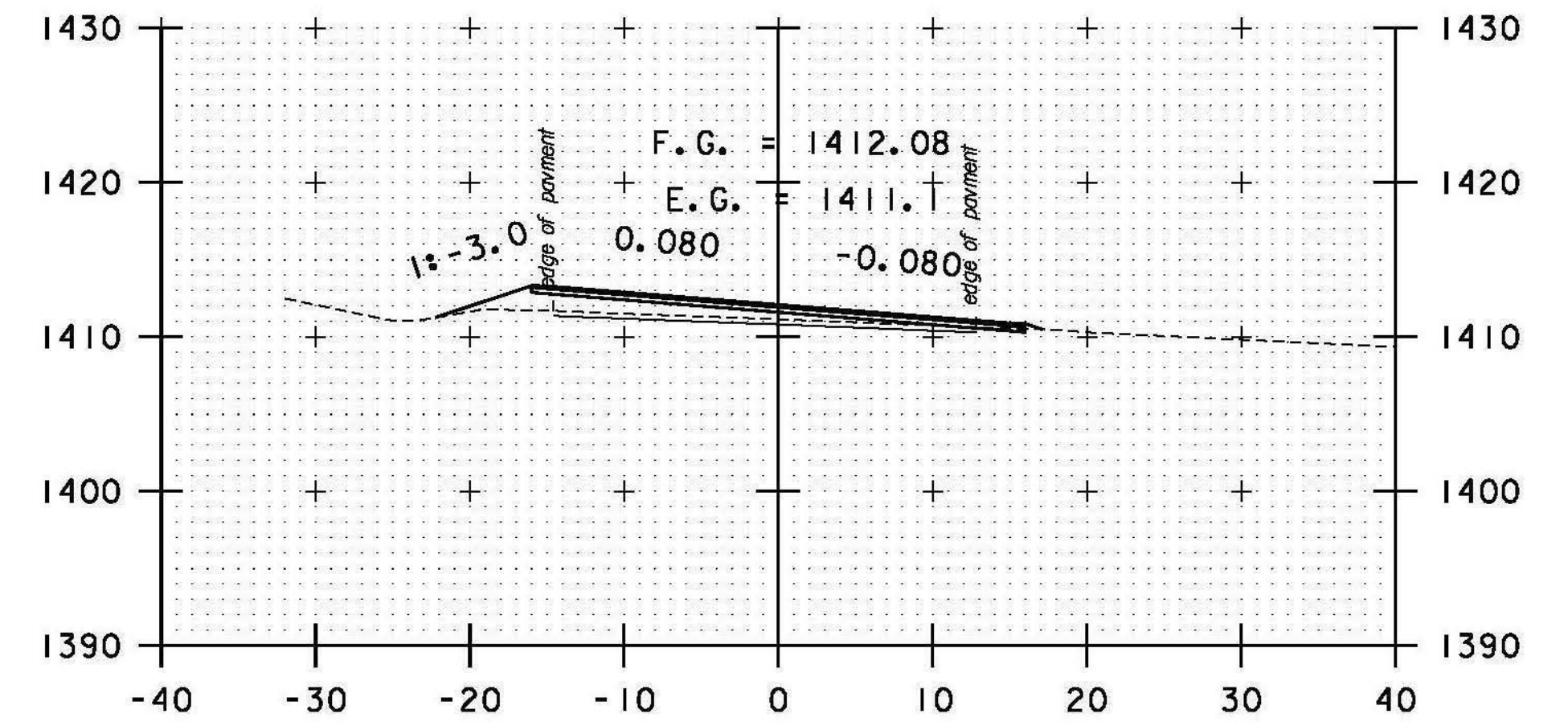


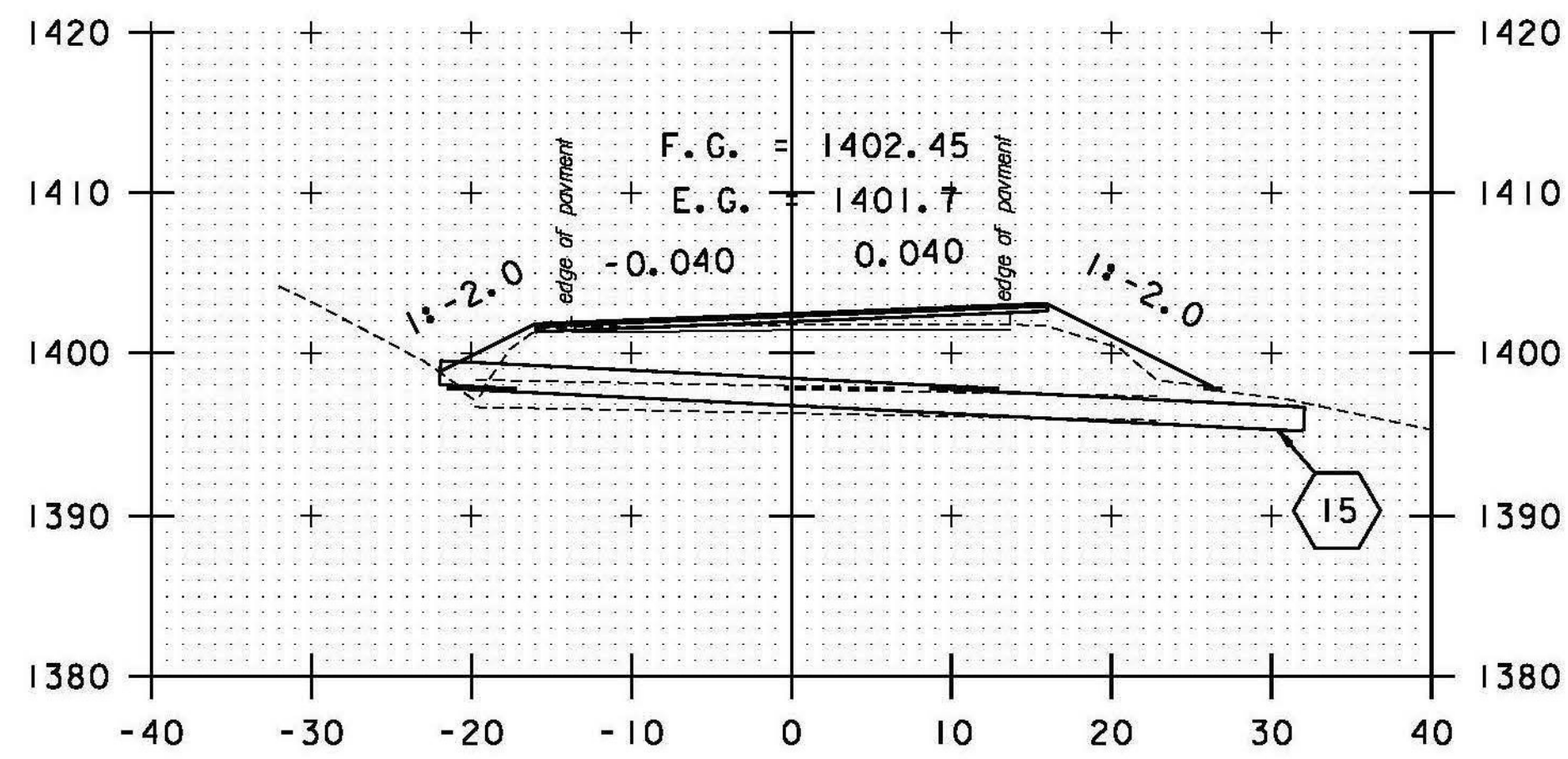
221+50



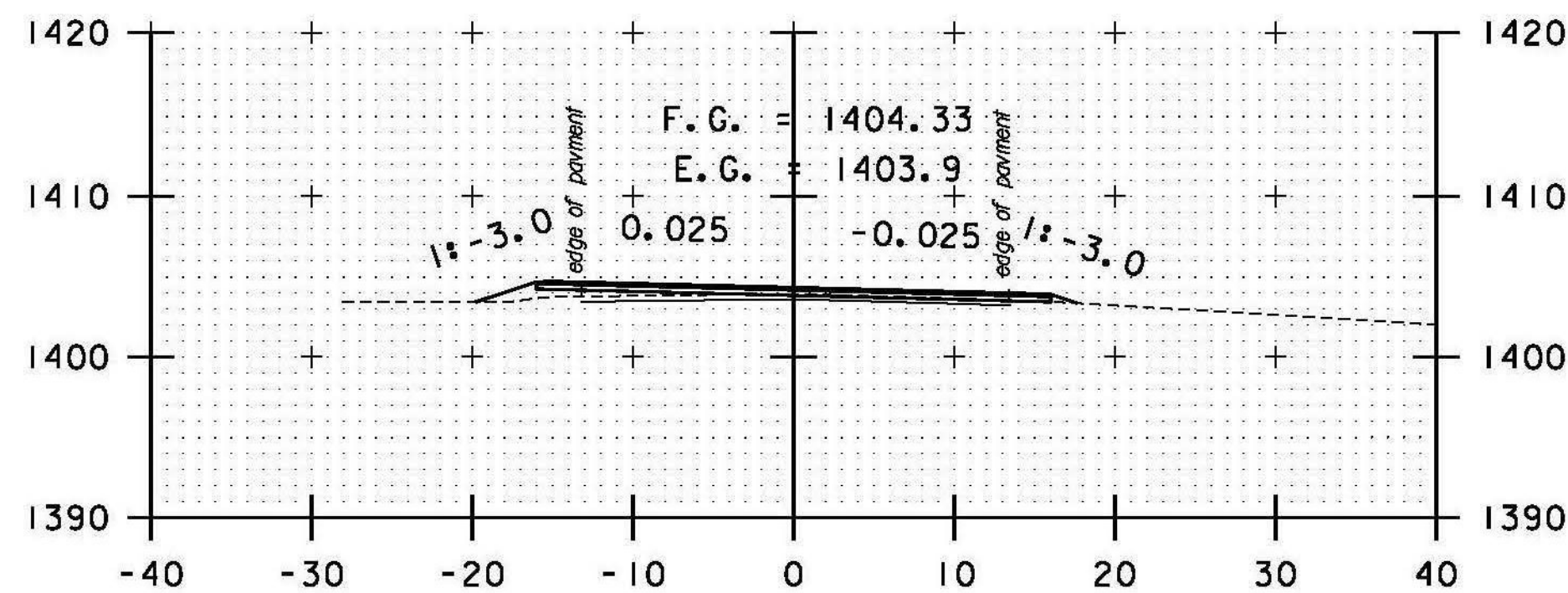
223+00



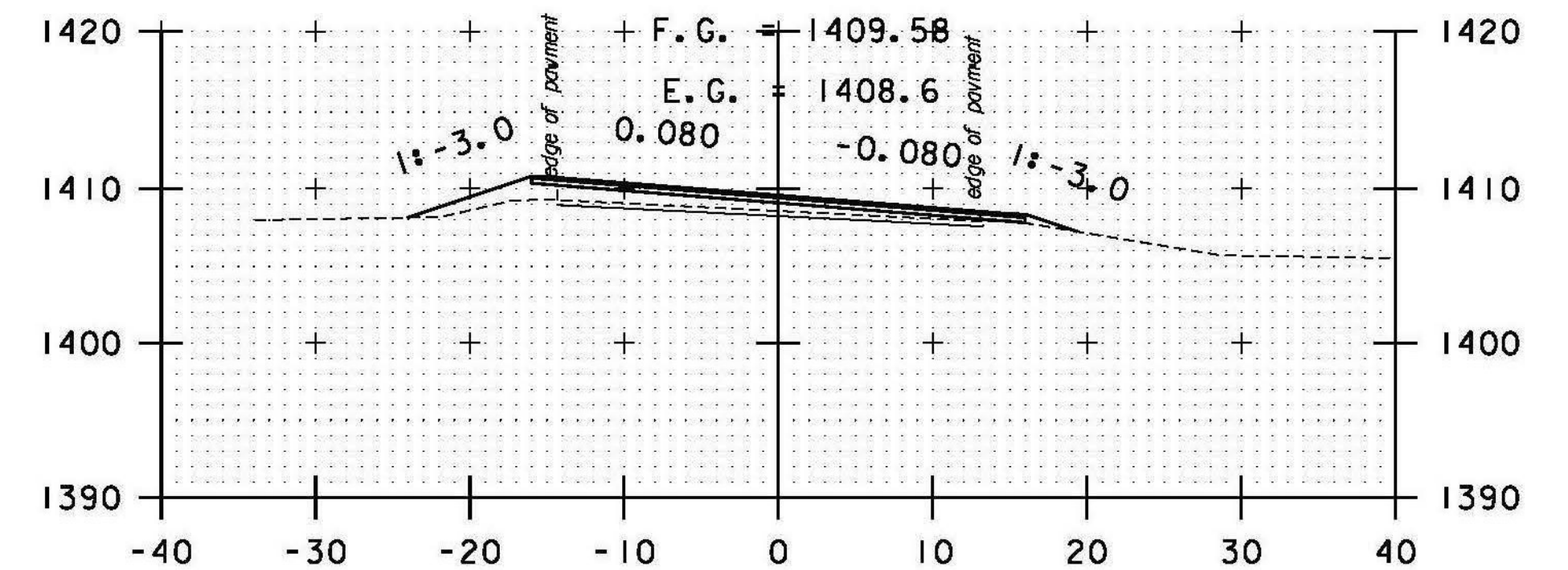
224+50



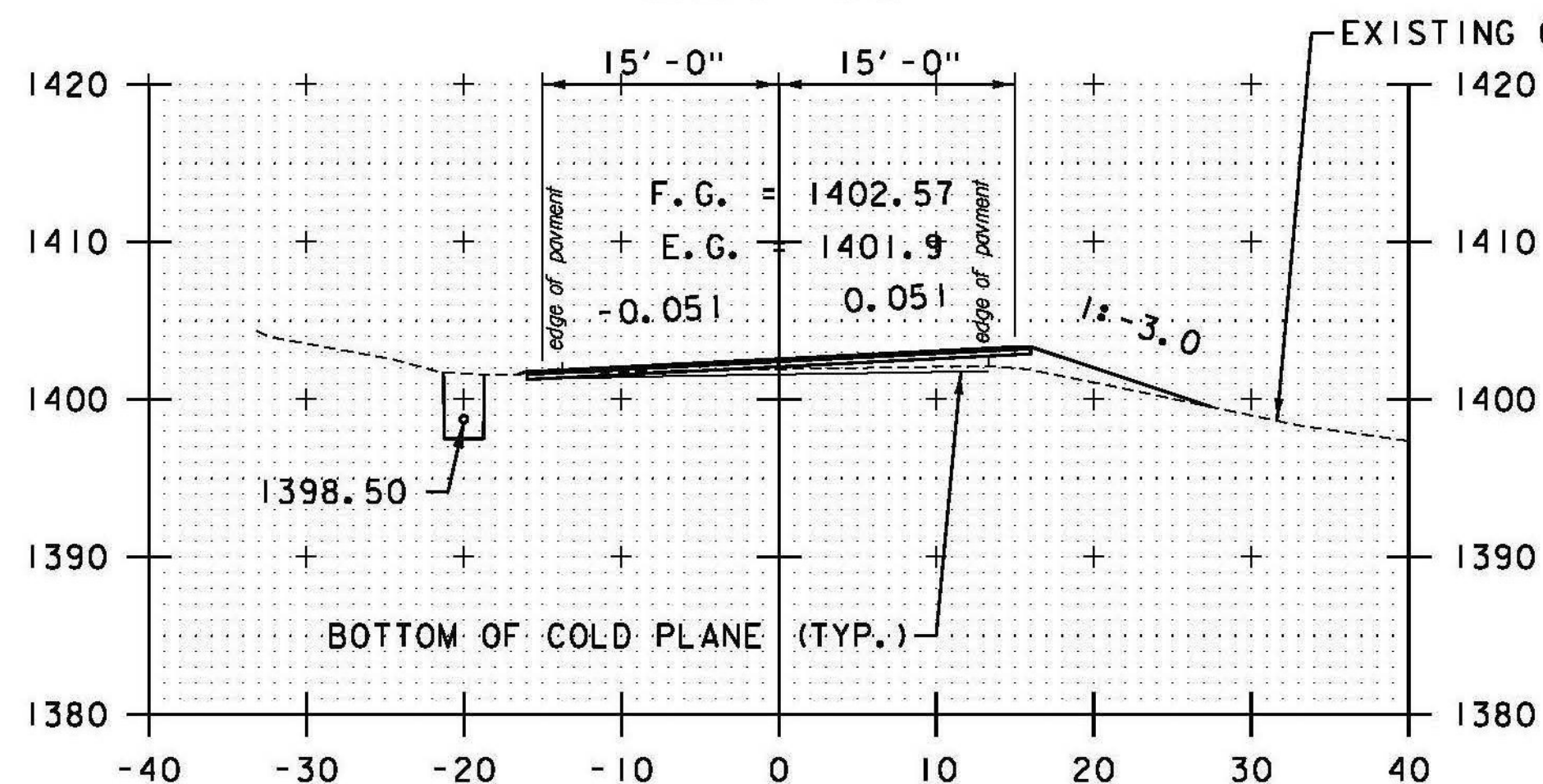
221+00



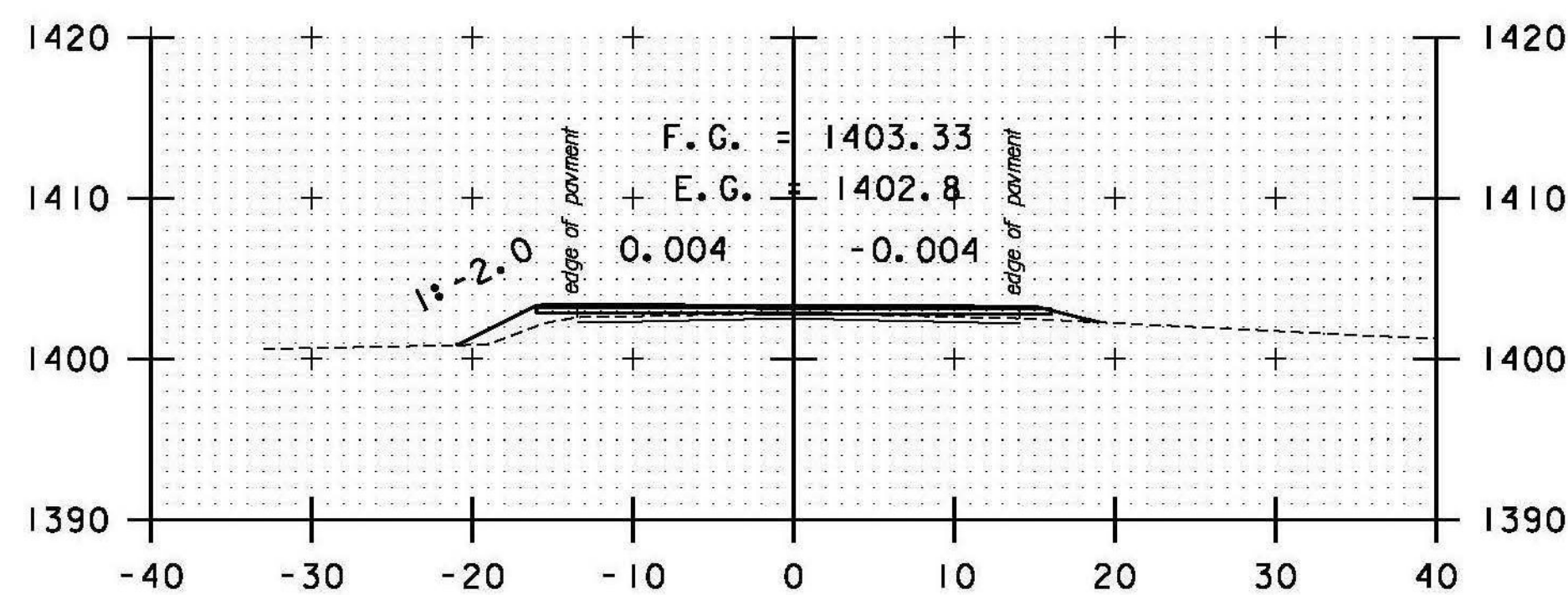
222+50



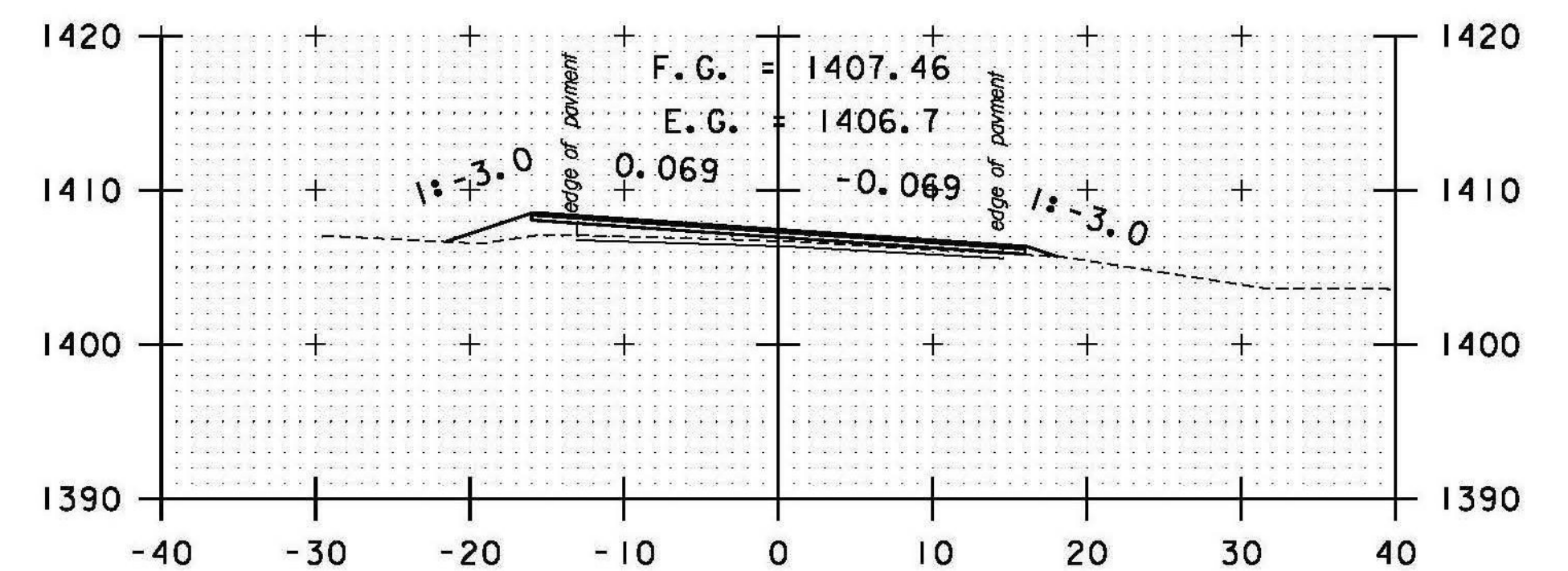
224+00



220+50



DRIVE RT
222+00

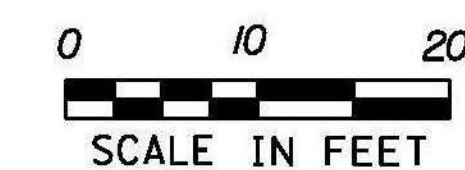


223+50

15 STA. 221+03.69 LT 21.99' TO
 STA. 221+05.01 RT 31.99'
 REMOVE HEADWALL AND PIPE
 INSTALL 18" CPEP (54'-0")
 INV. IN = 1398.00'
 INV. OUT = 1395.31'

STA. 220+50 TO STA. 224+50

DATUM
 VERTICAL NAVD 88
 HORIZONTAL NAD 83 (07)



PROJECT NAME: RANDOLPH
 PROJECT NUMBER: STP 2932 (1)

FILE NAME: z10c270.dgn
 PROJECT LEADER: C. LATHROP
 DESIGNED BY: B. BRESLEND
 VT 66 CROSS SECTION SHEET 45

PLOT DATE: 6/5/2014
 DRAWN BY: B. BRESLEND
 CHECKED BY: C. LATHROP
 SHEET 201 OF 276