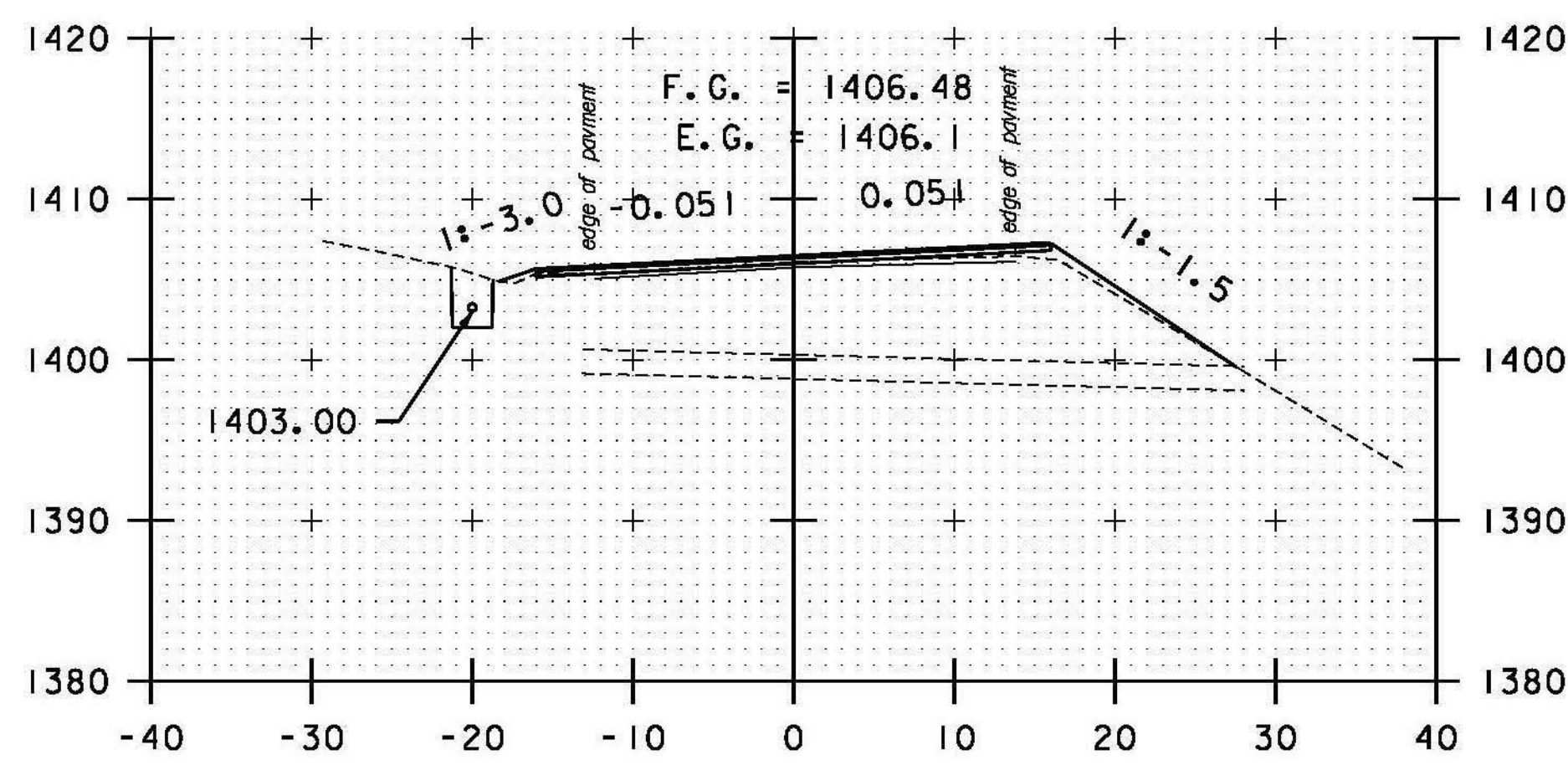
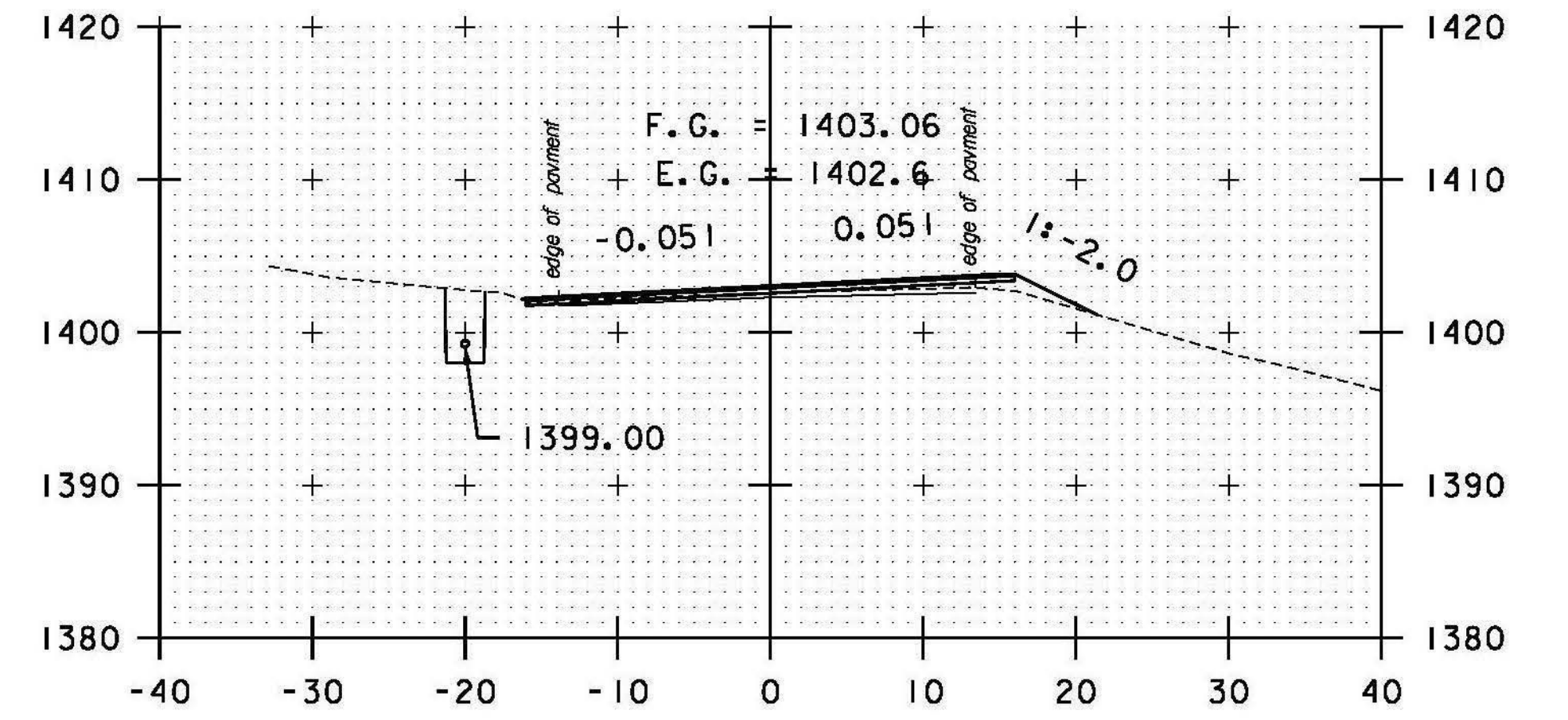


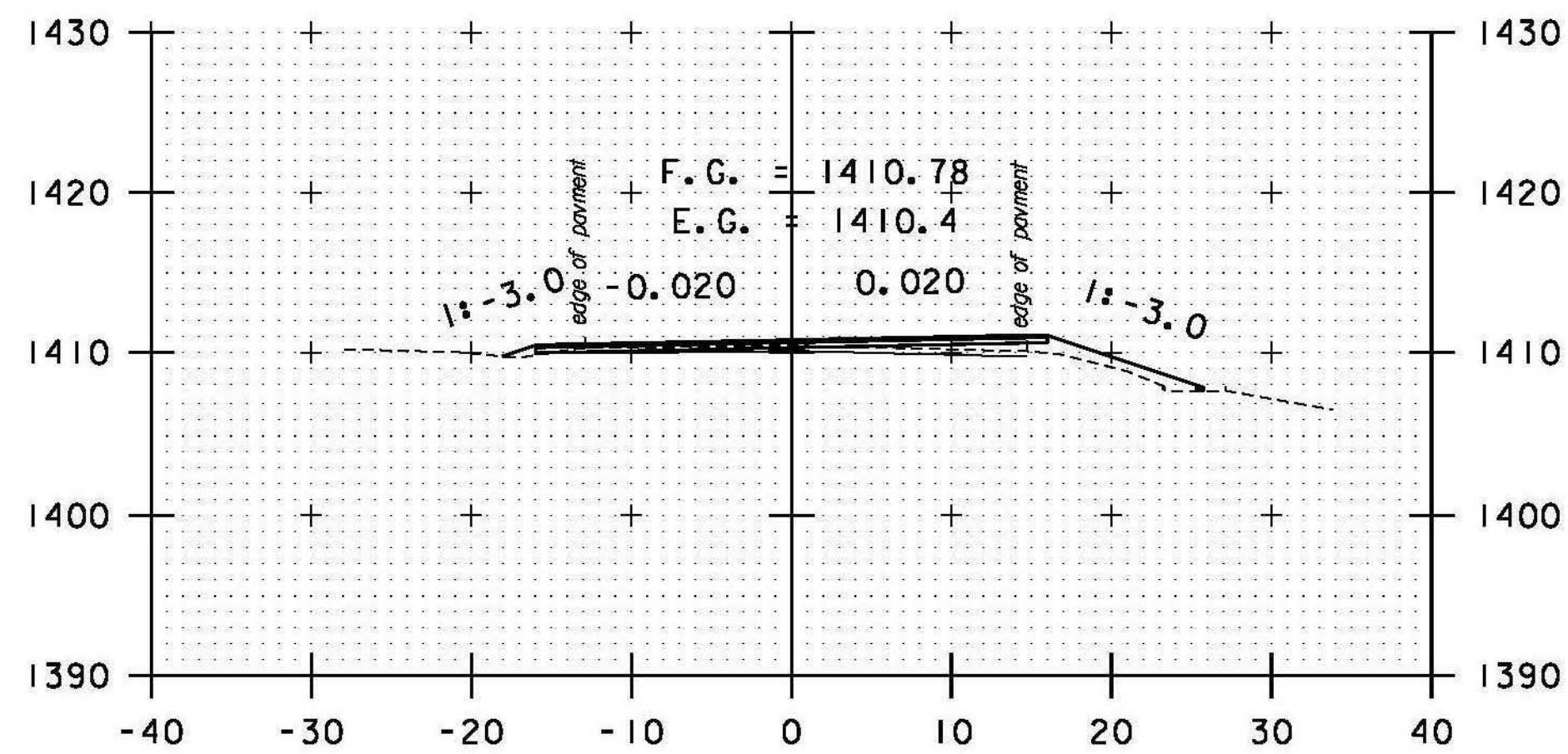
217+00



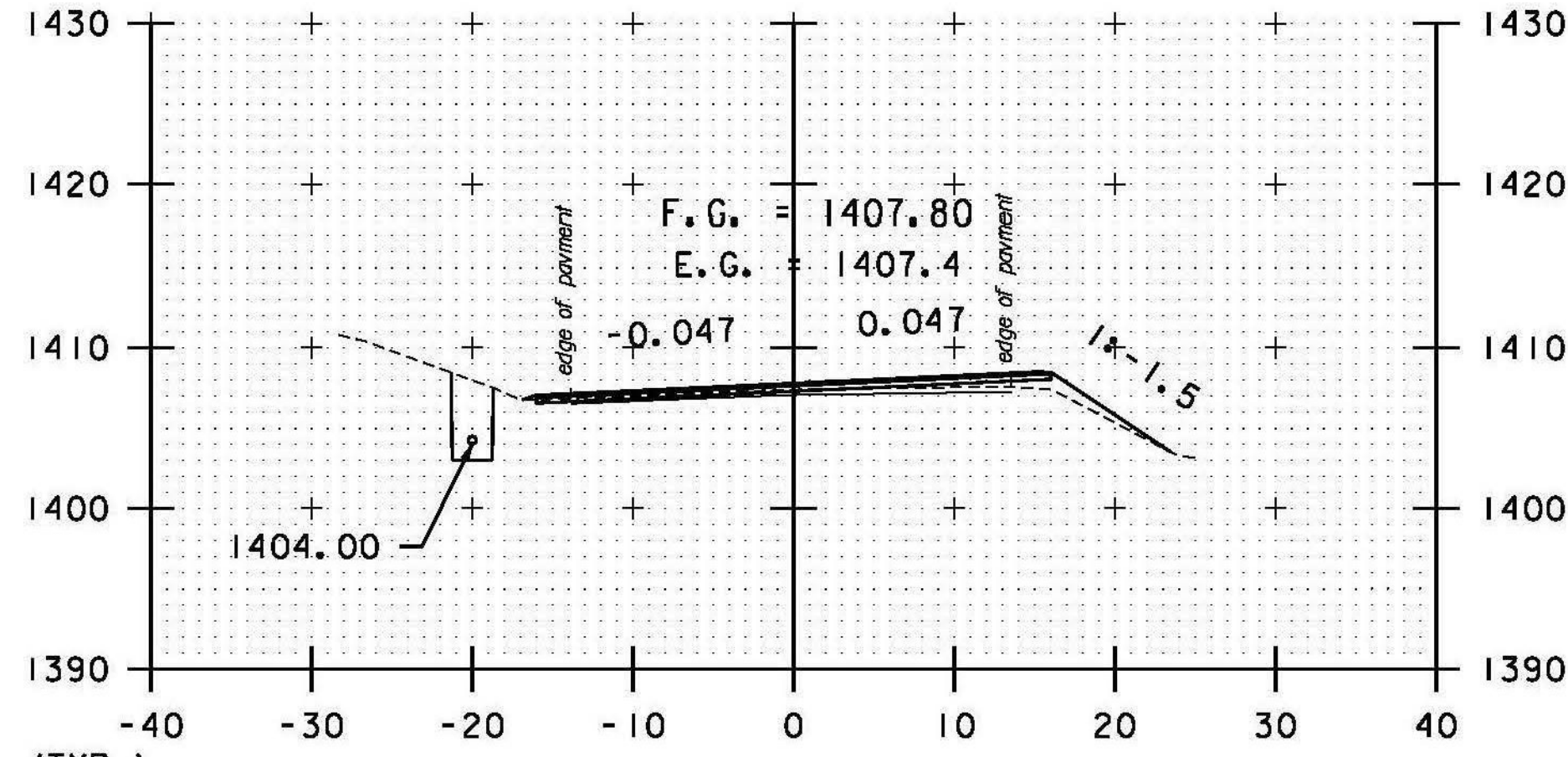
218+50



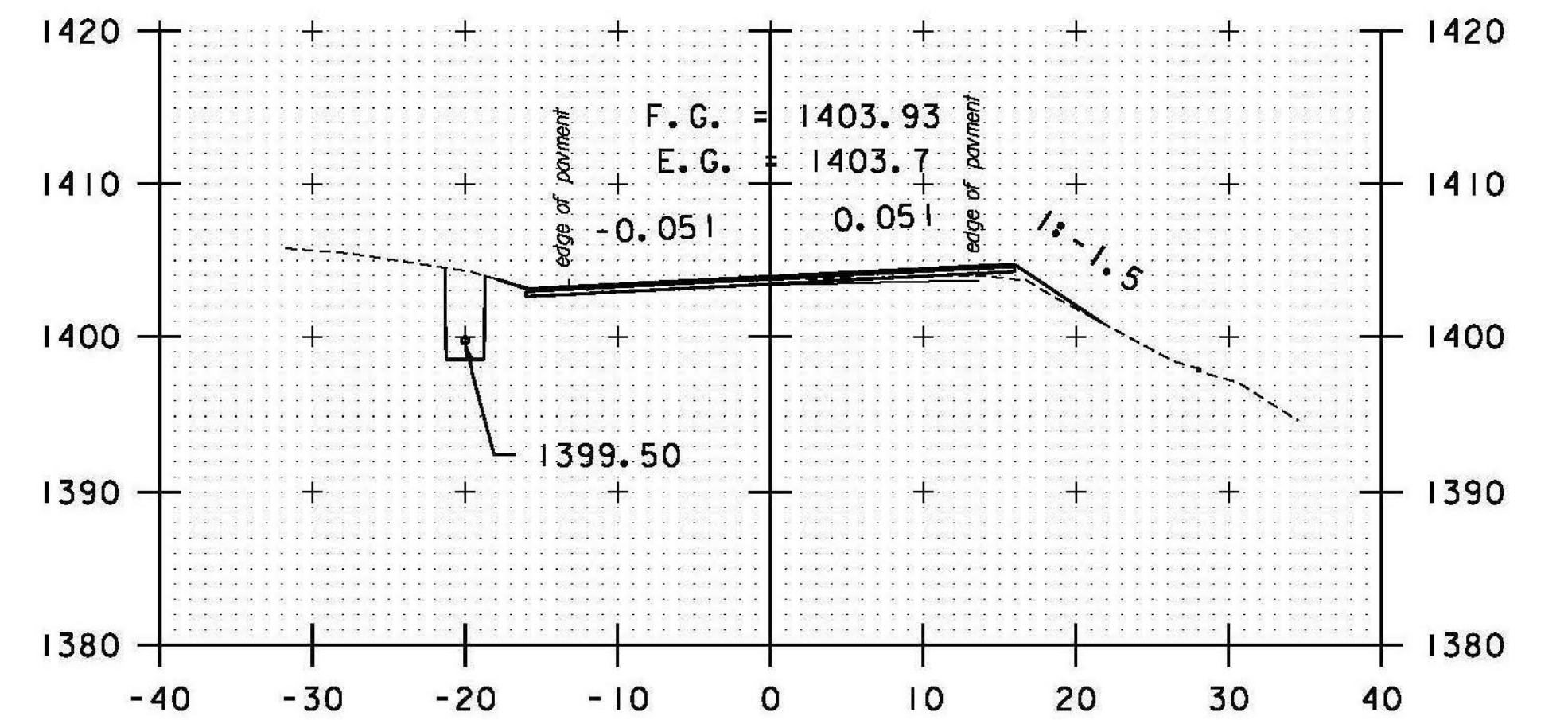
220+00



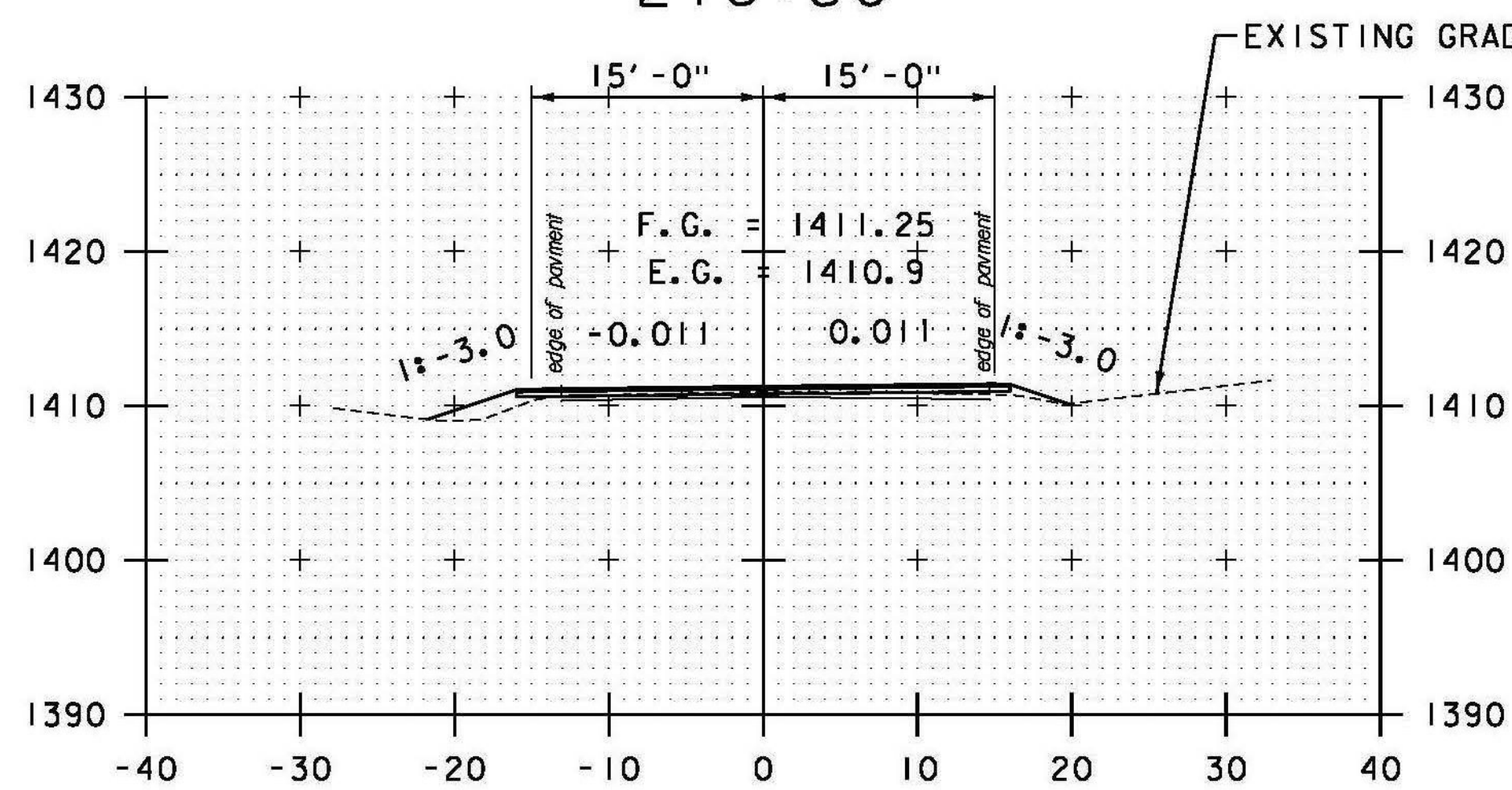
216+50



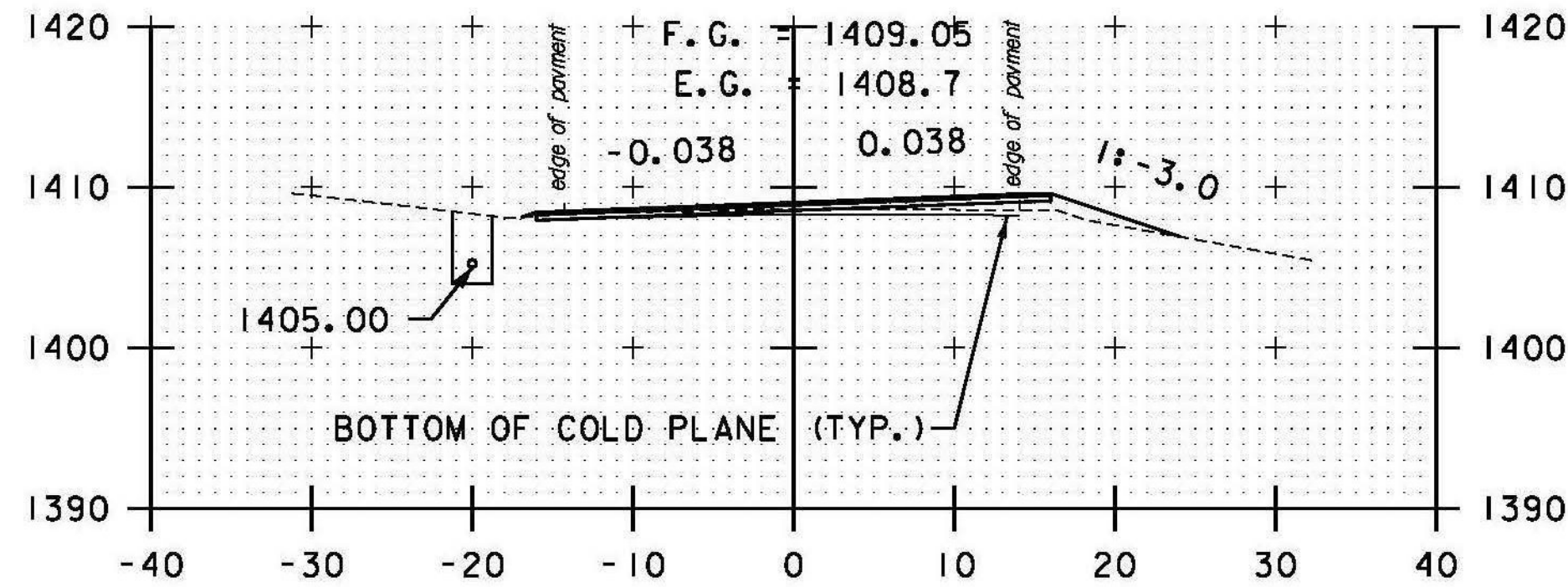
218+00



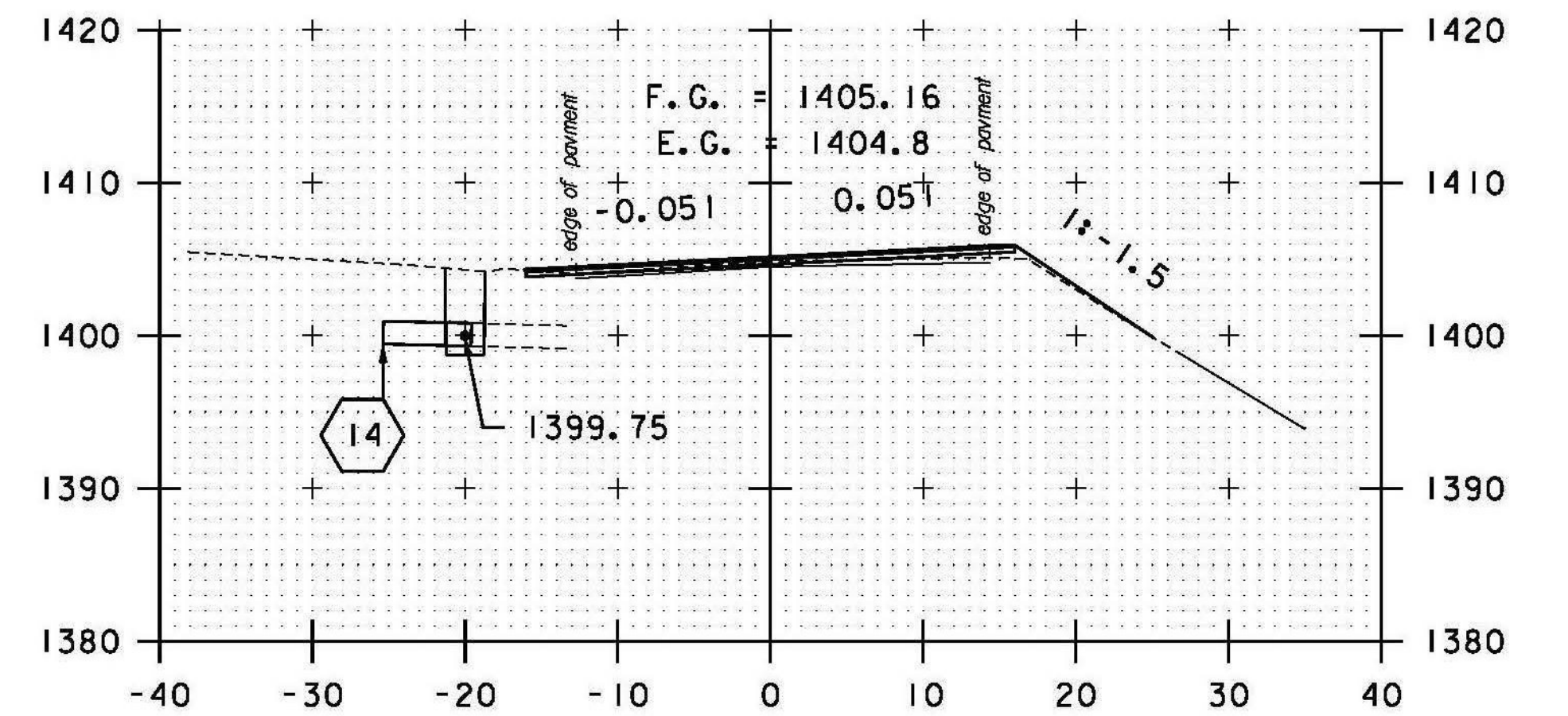
219+50



216+00



217+50

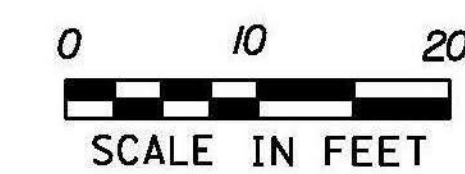


219+00

14 STA. 218+75.40 LT 19.61' TO  
 STA. 218+75.77 LT 25.60'  
 EXTEND 18" RCP (6'-0")  
 INV. IN = 1399.46'

STA. 216+00 TO STA. 220+00

DATUM  
 VERTICAL NAVD 88  
 HORIZONTAL NAD 83 (07)



PROJECT NAME: RANDOLPH  
 PROJECT NUMBER: STP 2932 (1)

FILE NAME: z10c270.dgn  
 PROJECT LEADER: C. LATHROP  
 DESIGNED BY: B. BRESLEND  
 VT 66 CROSS SECTION SHEET 44

PLOT DATE: 6/5/2014  
 DRAWN BY: B. BRESLEND  
 CHECKED BY: C. LATHROP  
 SHEET 200 OF 276