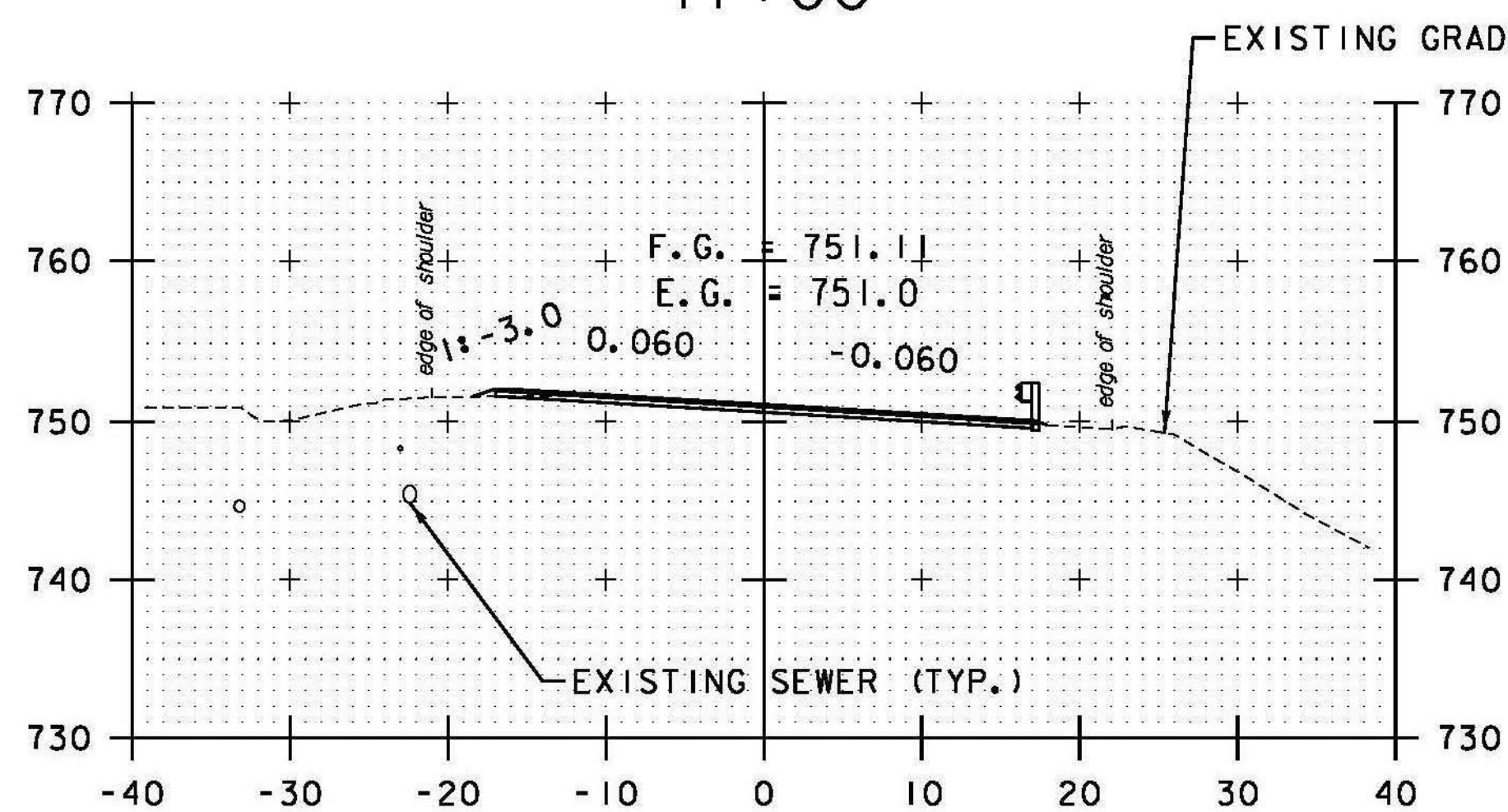
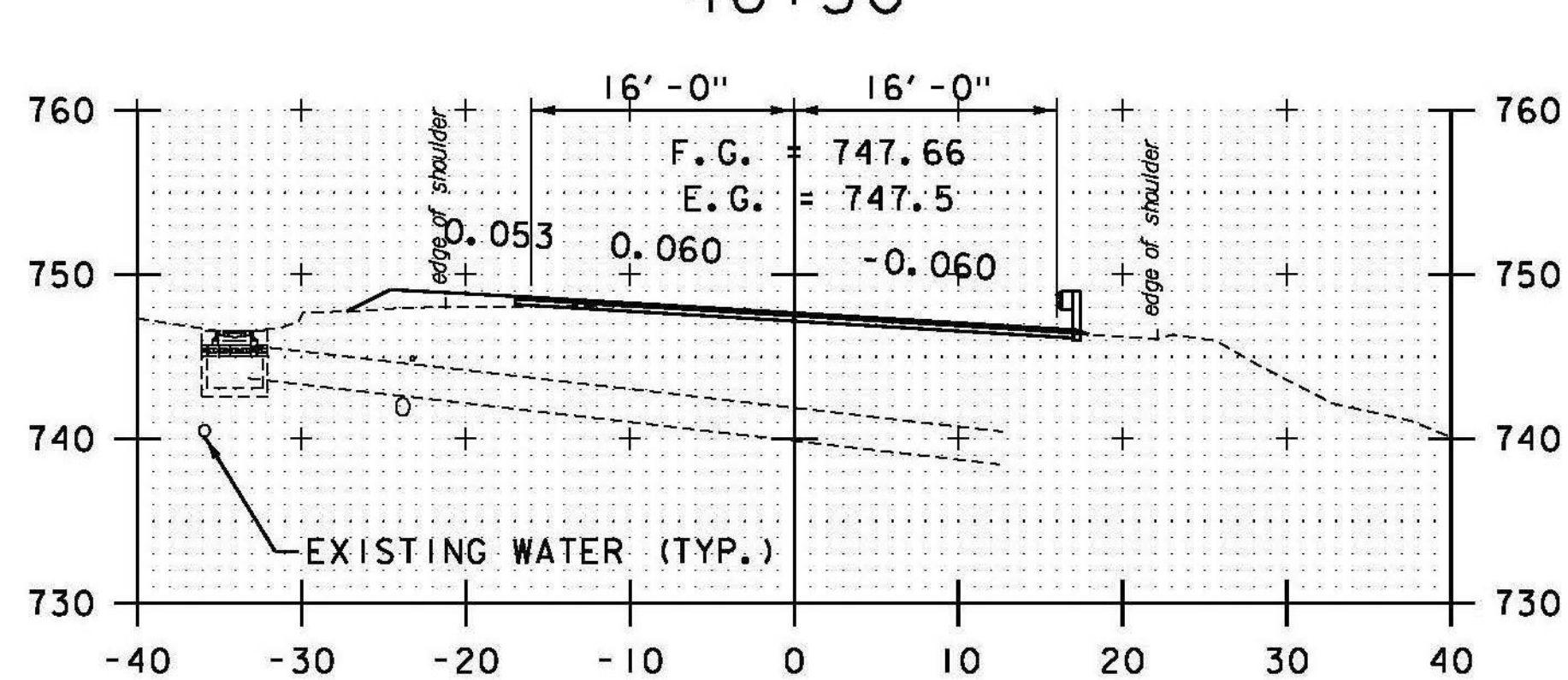


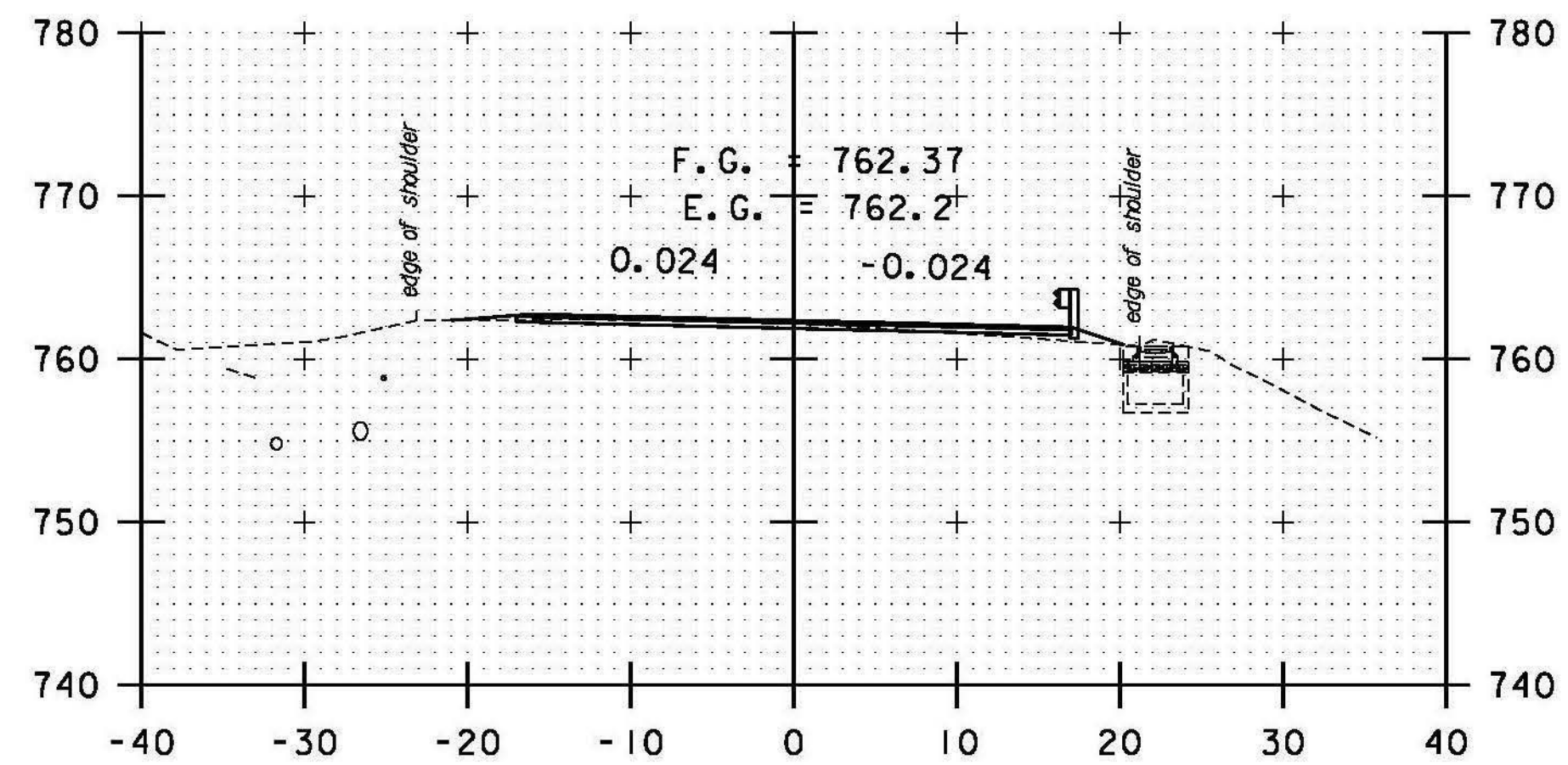
47+00



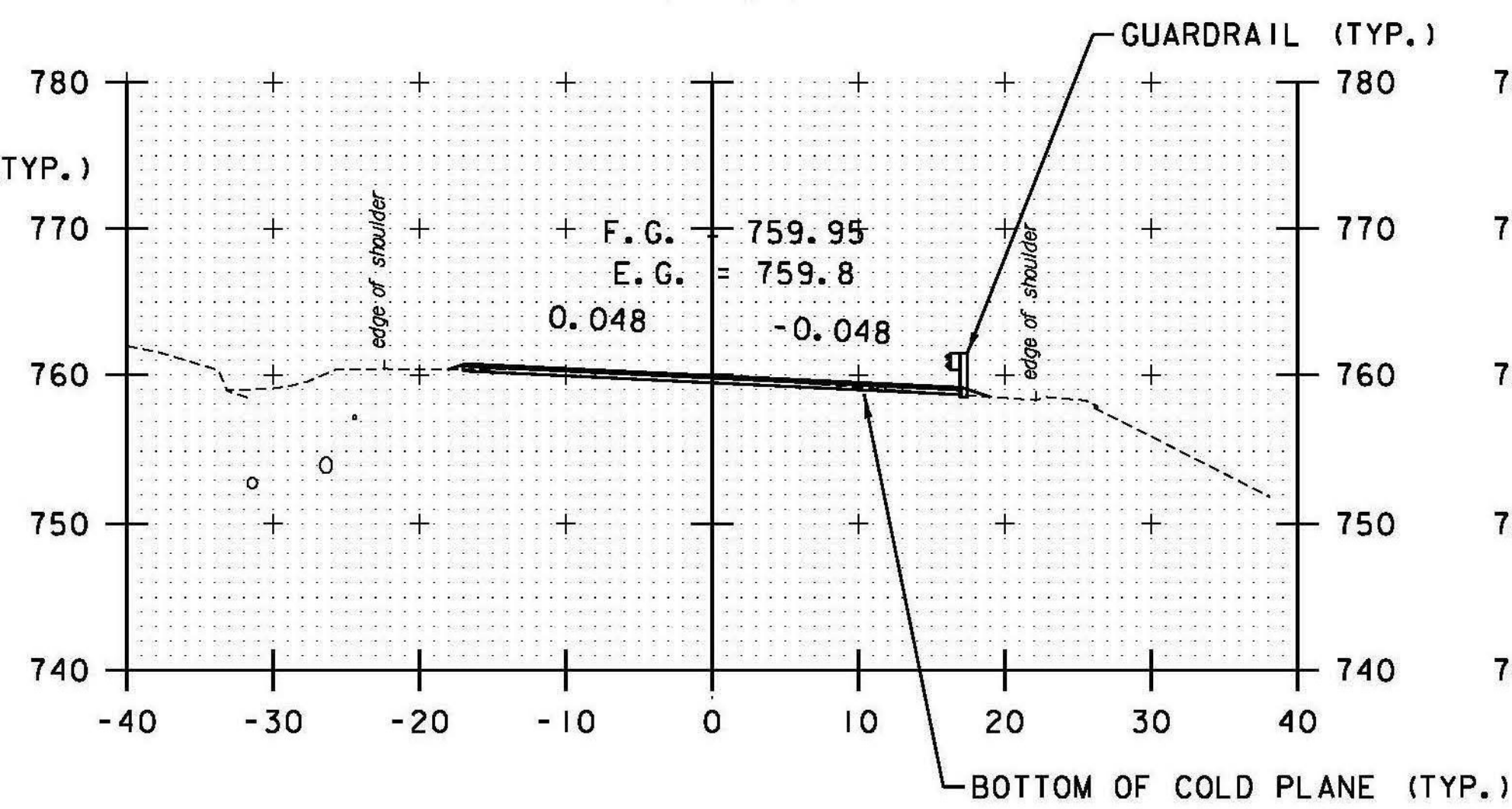
46+50



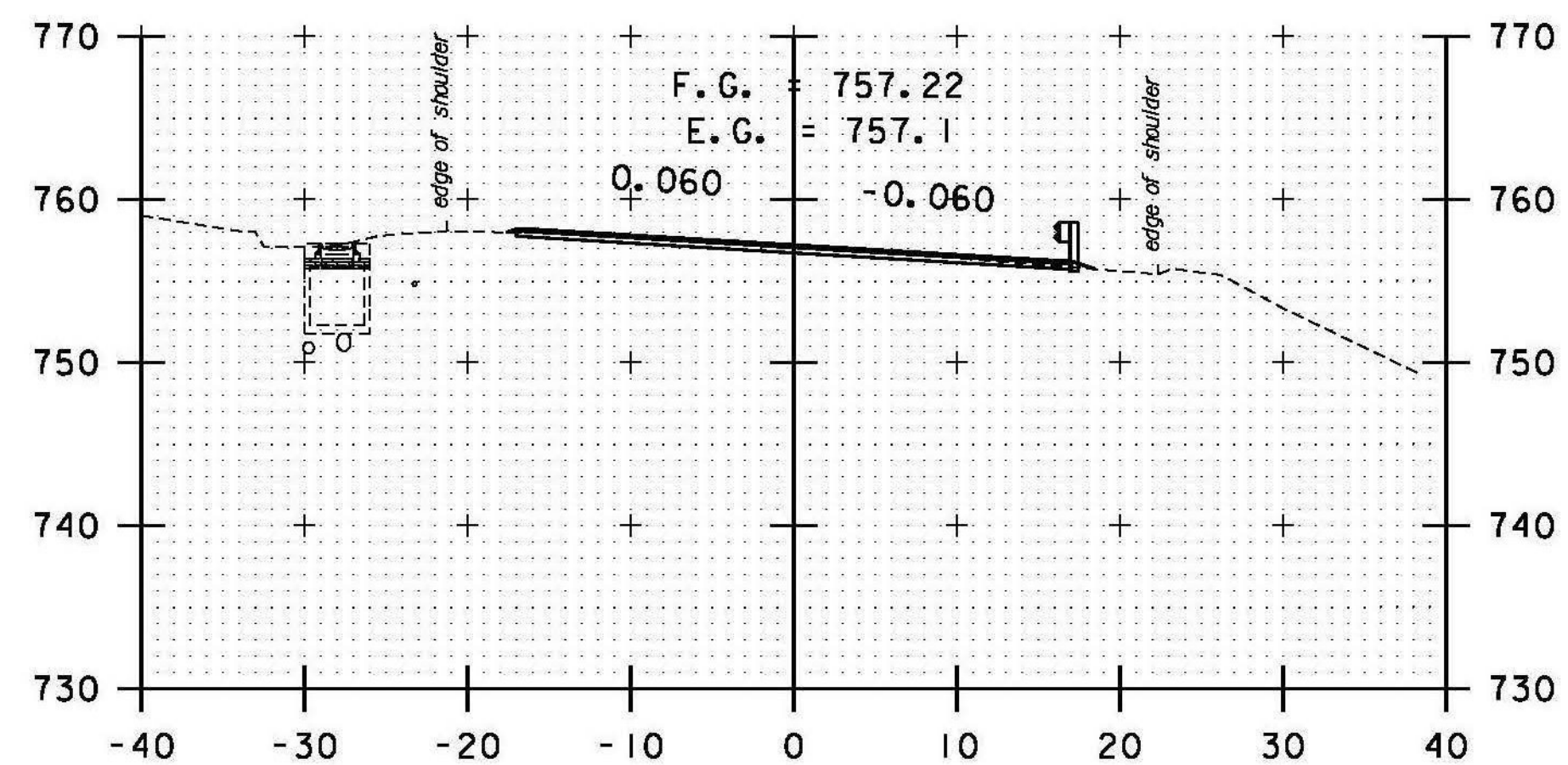
TH#6 LT
46+00



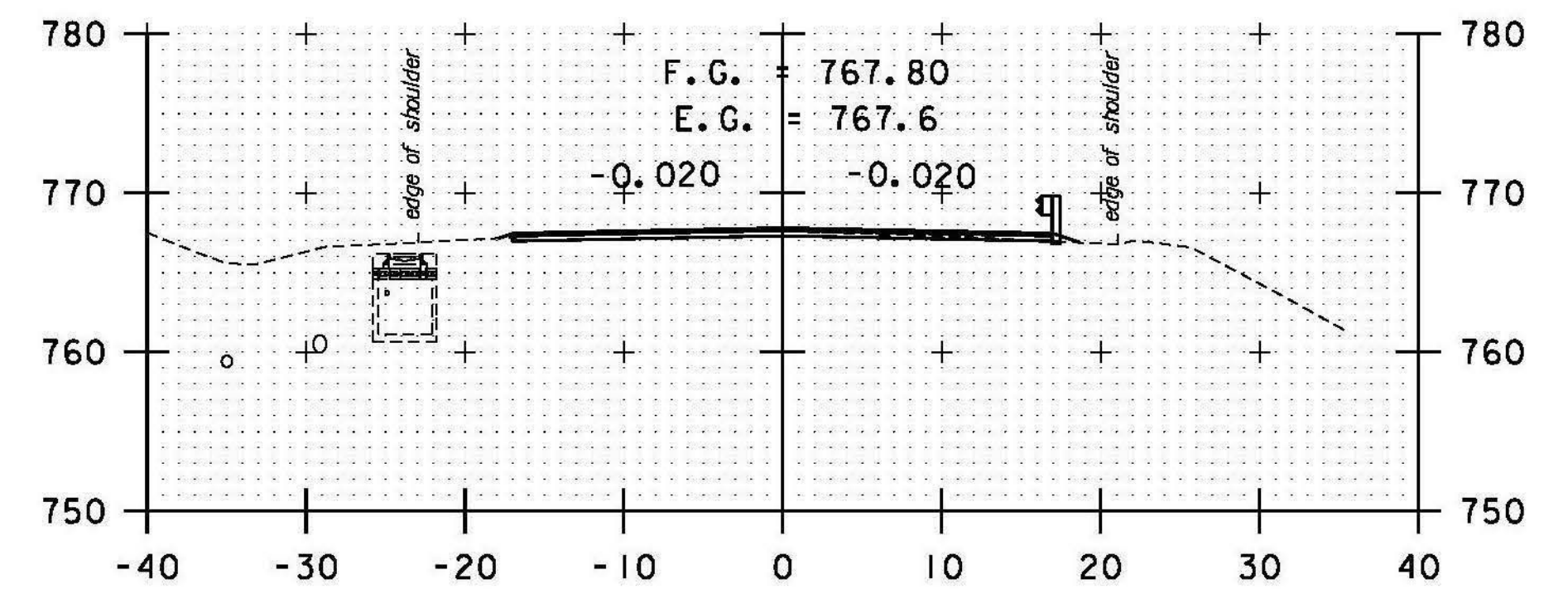
DRIVE LT
48+50



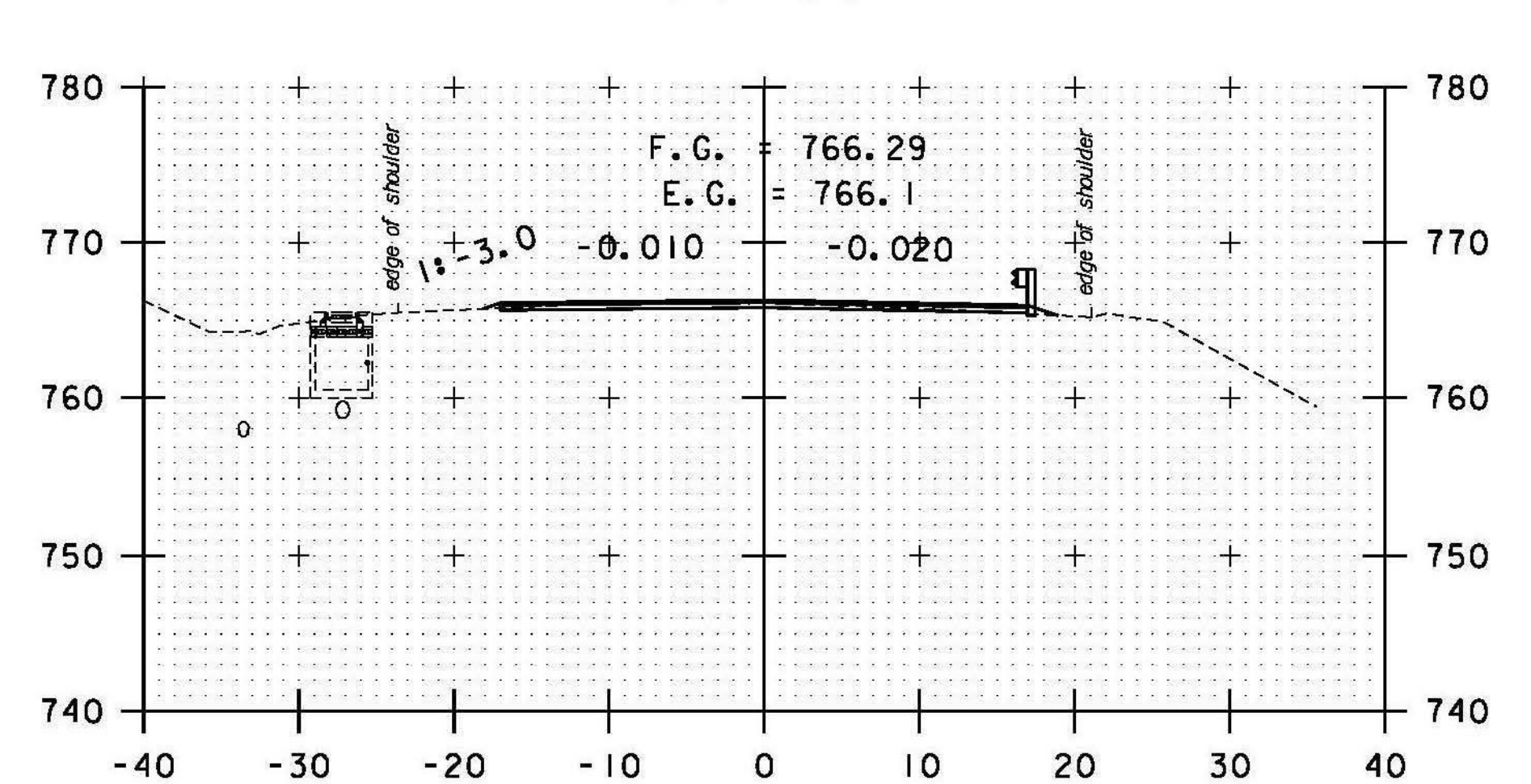
48+00



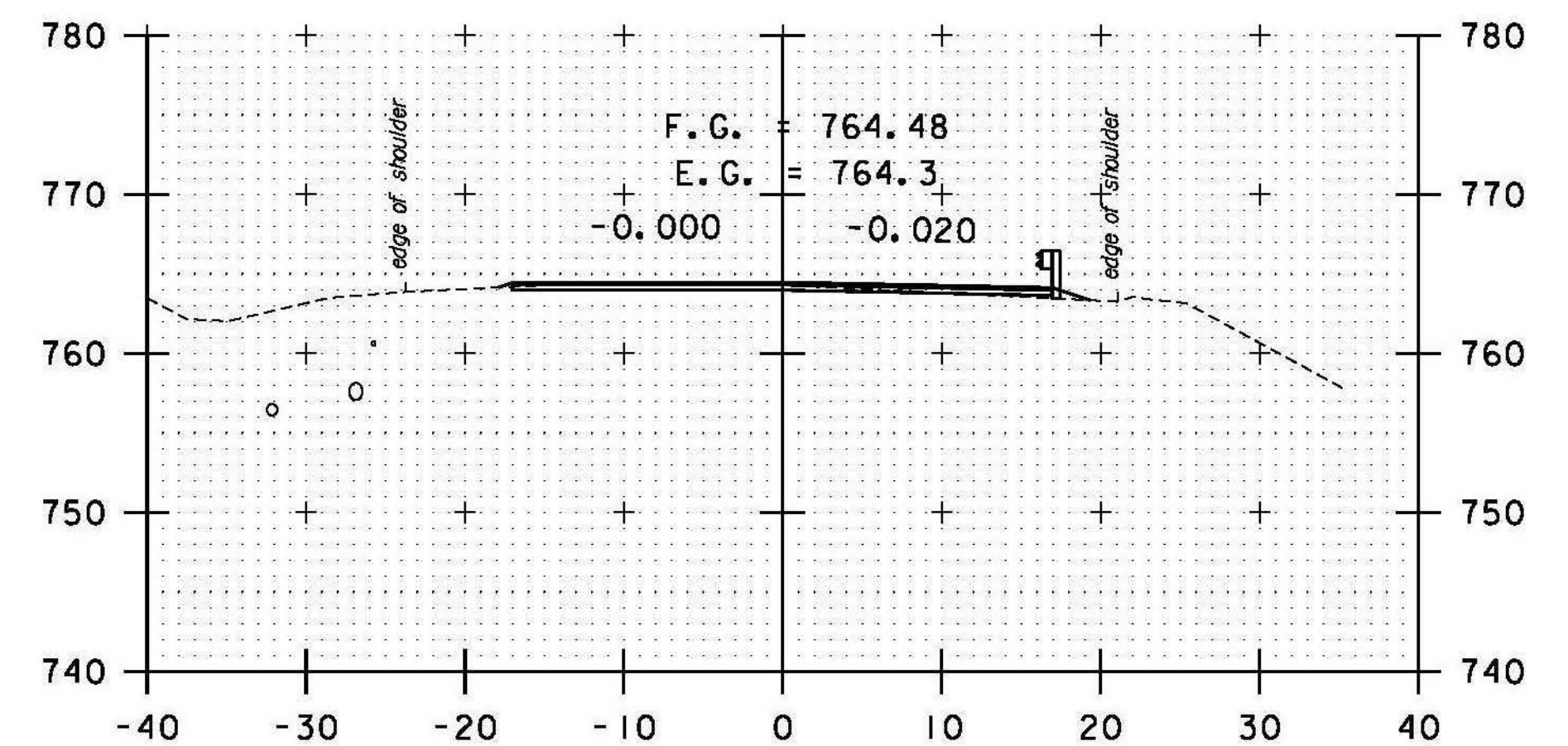
47+50



50+00



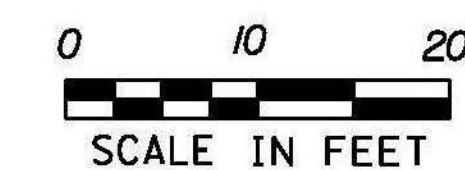
49+50



49+00

STA. 46+00 TO STA. 50+00

DATUM
VERTICAL NAVD 88
HORIZONTAL NAD 83 (07)



PROJECT NAME: RANDOLPH
PROJECT NUMBER: STP 2932 (1)

FILE NAME: z10c270.dgn
PROJECT LEADER: C. LATHROP
DESIGNED BY: B. BRESLEND
VT 66 CROSS SECTION SHEET 7

PLOT DATE: 6/5/2014
DRAWN BY: B. BRESLEND
CHECKED BY: C. LATHROP
SHEET 163 OF 276