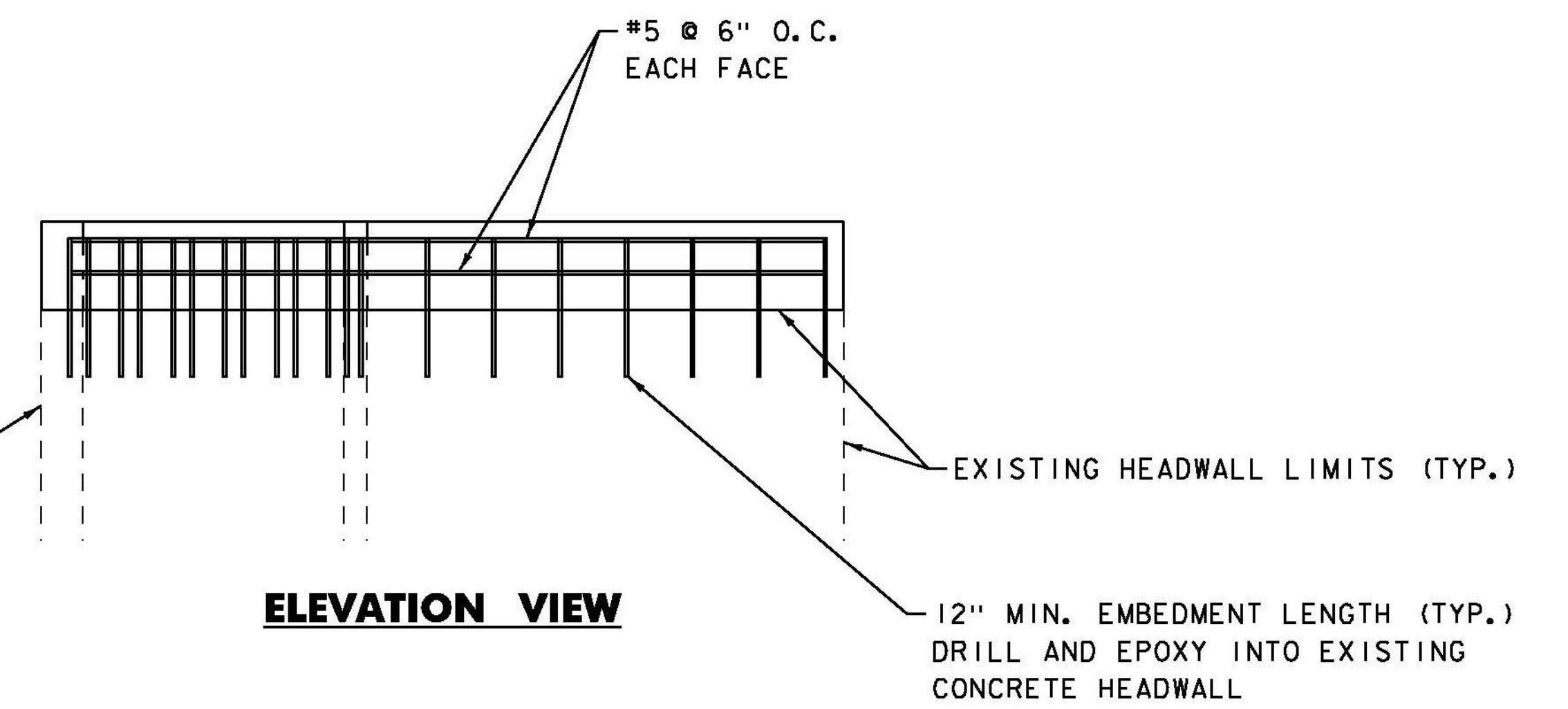
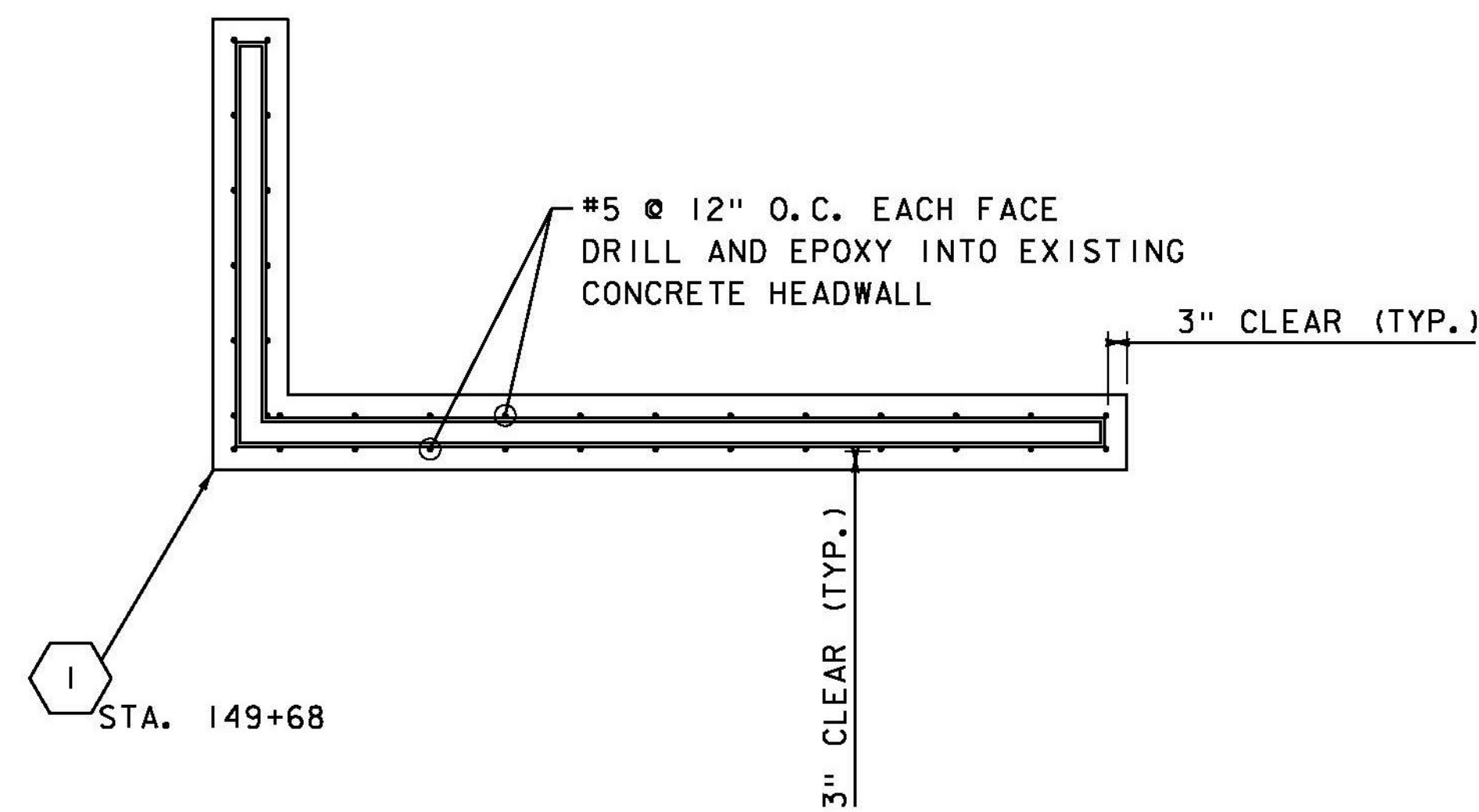


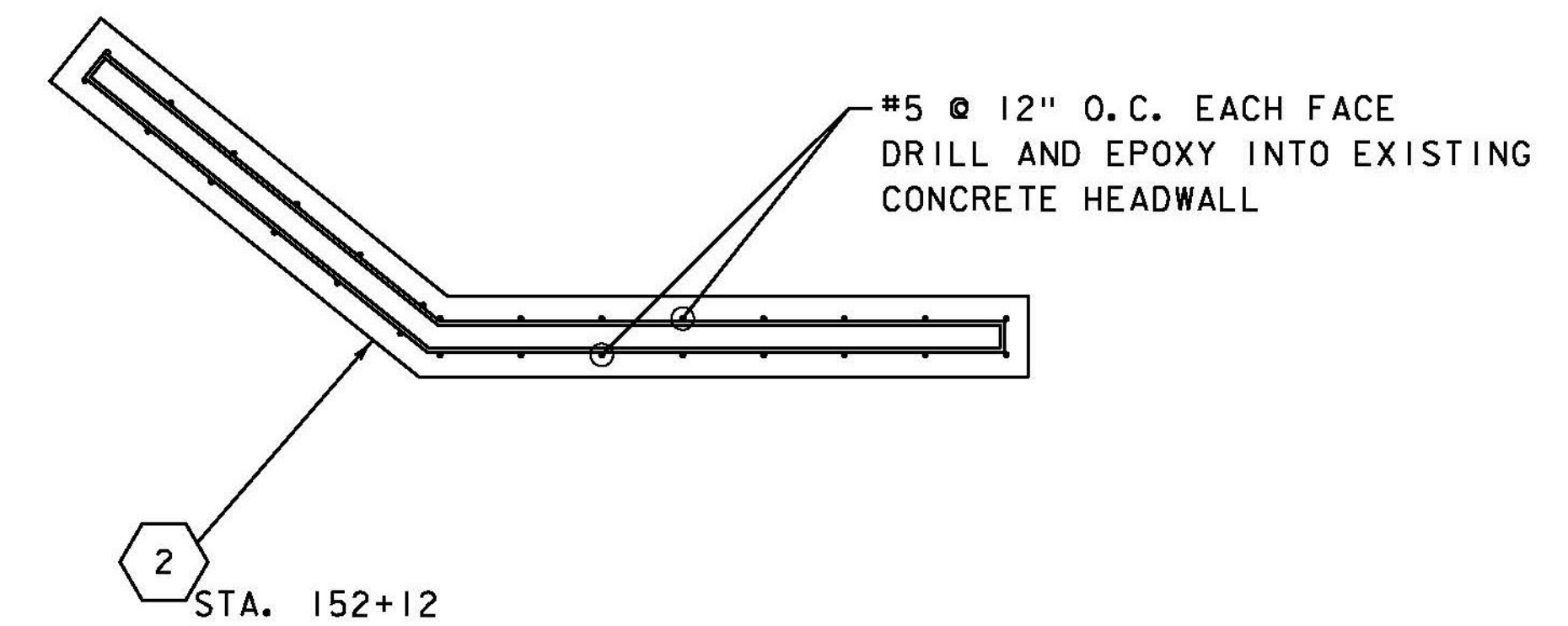
ELEVATION VIEW



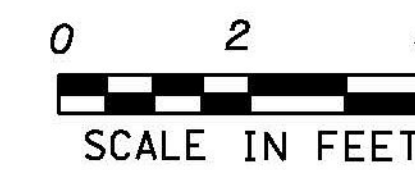
ELEVATION VIEW



PLAN VIEW



PLAN VIEW



PROJECT NAME:	RANDOLPH	PLOT DATE:	6/5/2014
PROJECT NUMBER:	STP 2932 (1)	DRAWN BY:	B. BRESLEND
FILE NAME:	z10c270headwall.dgn	DESIGNED BY:	B. BRESLEND
PROJECT LEADER:	C. LATHROP	CHECKED BY:	C. LATHROP
HEADWALL EXTENSION DETAIL SHEET			SHEET 25A OF 276