

13'-6 1/2'' LONG W-BEAM RAIL
CONFIGURED AS NEEDED FOR THE ANCHOR TYPE

6'' X 8'' X 72'' CRT TIMBER POST

13'-6 1/2'' LONG W-BEAM GUARDRAIL

CURVED 13'-6 1/2'' LONG W-BEAM GUARDRAIL

6'' X 8'' X 72'' CRT TIMBER POST

7 1/8'' X 6'' X 14'' TIMBER BLOCKOUT

7 1/8'' X 7 1/8'' X 72'' TIMBER POST

7 1/8'' X 7 1/8'' X 14'' TIMBER BLOCKOUT

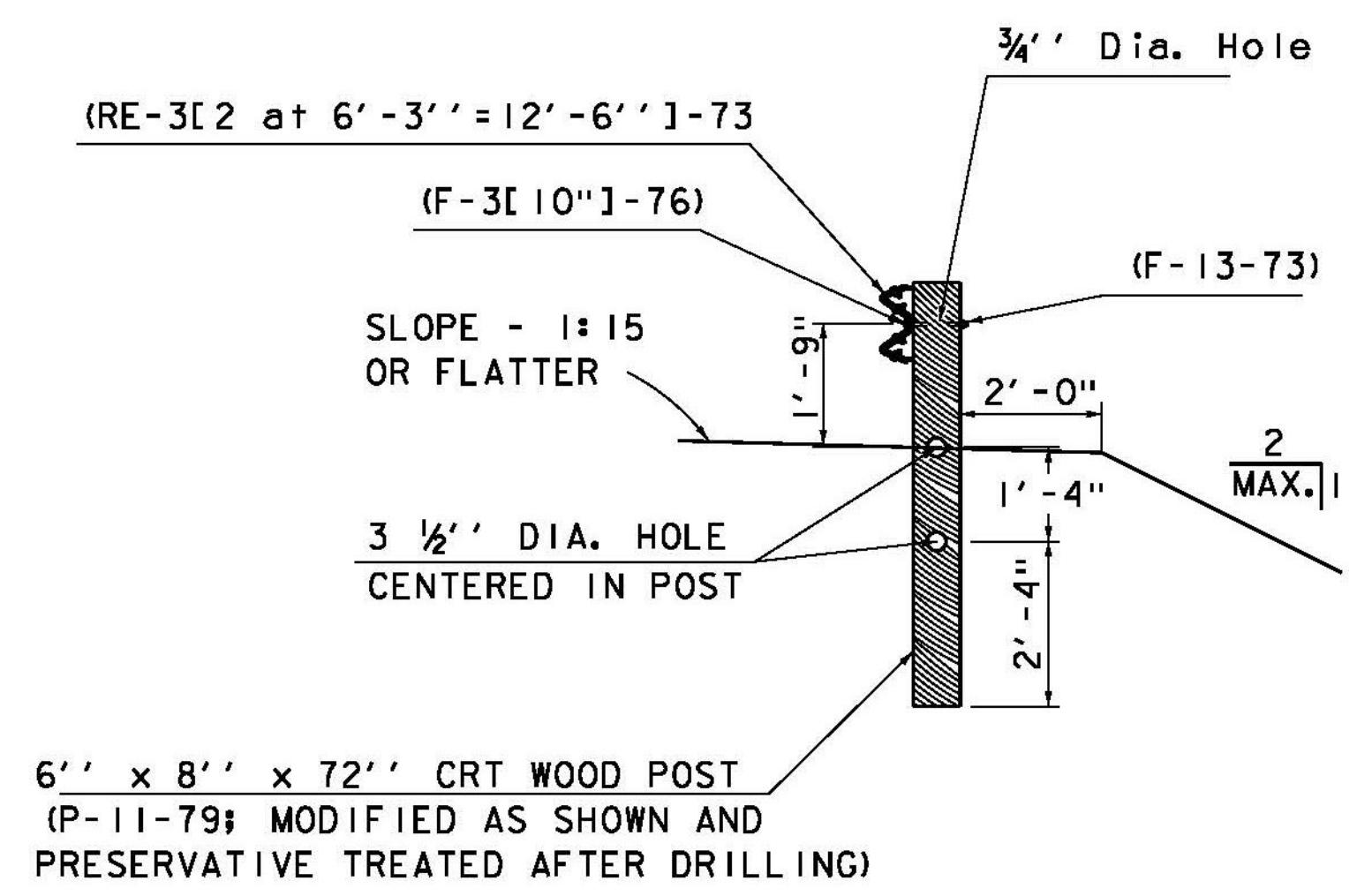
STANDARD WOOD OR STEEL POST GUARDRAIL SECTION

← PRIMARY ROAD →

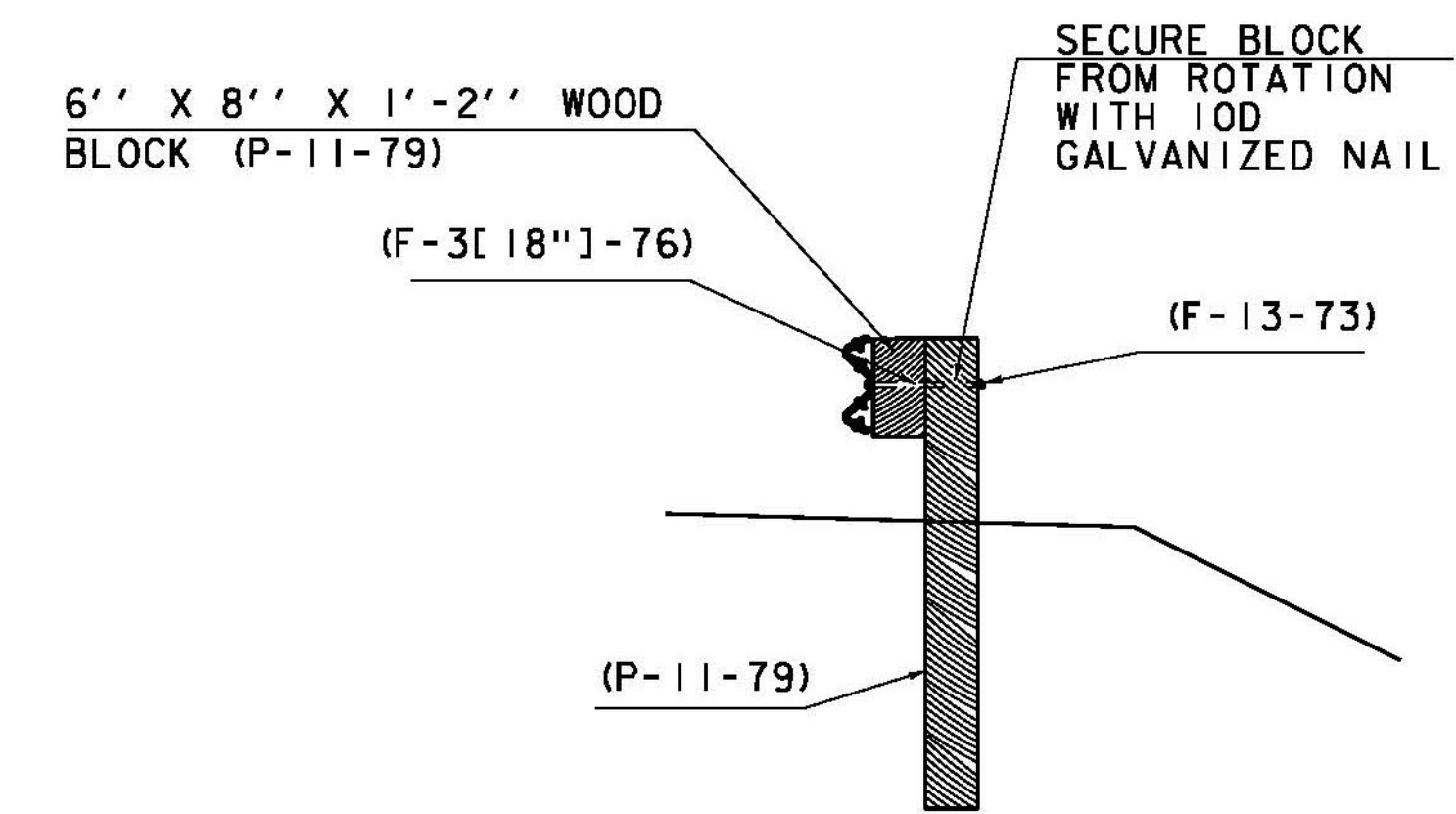
↑ SECONDARY ROAD ↓

ACCEPTABLE VARIATION OF THE RECOMMENDED SHORT RADIUS GUARDRAIL SYSTEM
(SHOWN WITH WOOD POST AND WOOD OFFSET BLOCK)

RANDOLPH
STA. 37+42 - STA. 38+25 LT



SECTION A-A



SECTION B-B
(SHOWN WITH WOOD POST AND WOOD OFFSET BLOCK)

NOTE:
ITEM TO BE PAID FOR UNDER ITEM 621.20
"STEEL BEAM GUARDRAIL, GALVANIZED"

DETAILS ARE NOT TO SCALE

PROJECT NAME:	RANDOLPH	FILE NAME:	z10c270.dgn	PLOT DATE:	6/5/2014
PROJECT NUMBER:	STP 2932(I)	PROJECT LEADER:	C. LATHROP	DRAWN BY:	P. BEYOR
		DESIGNED BY:	P. BEYOR	CHECKED BY:	C. LATHROP
		GUARDRAIL DETAIL SHEET		SHEET	14A OF 276