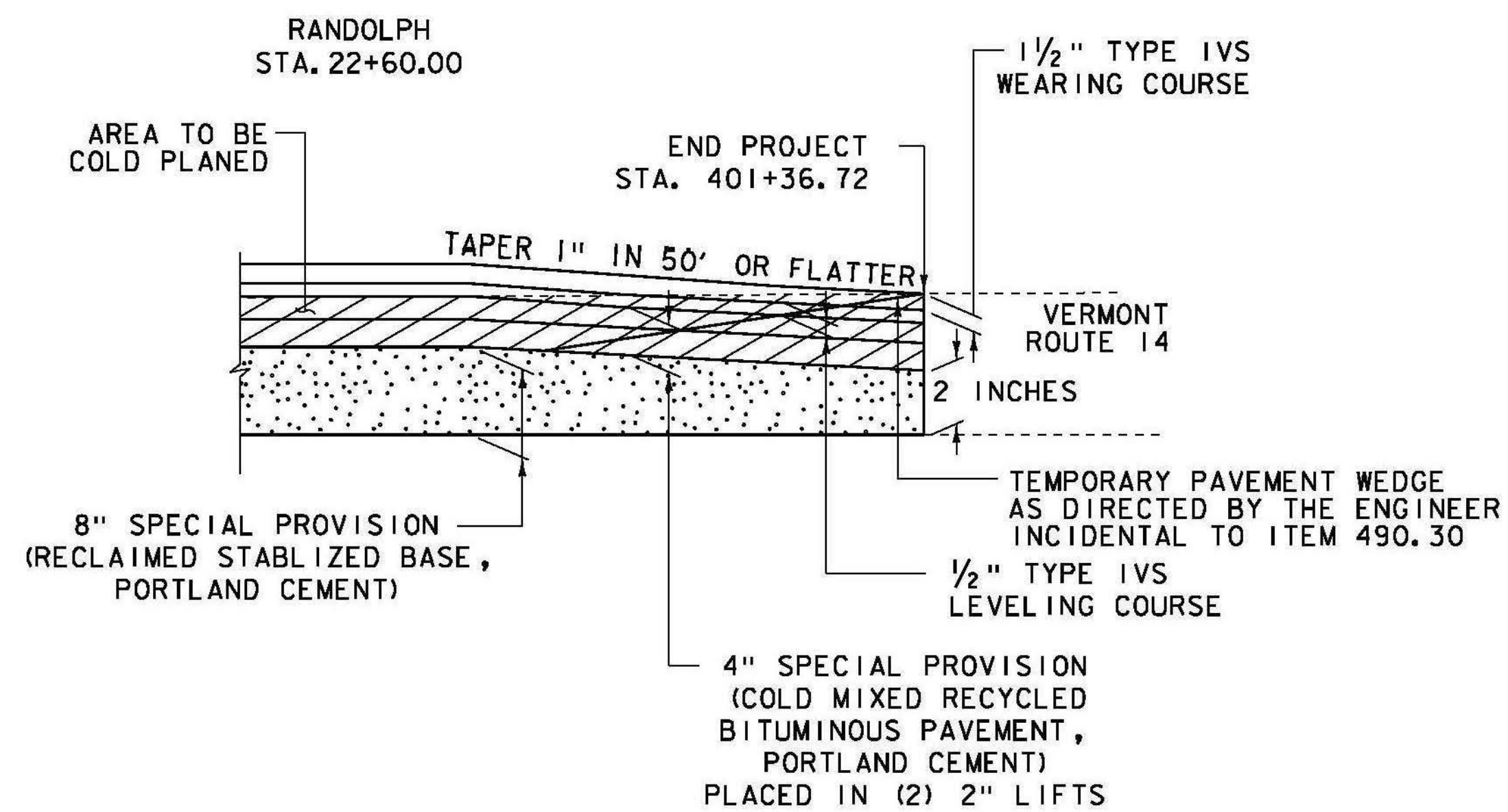
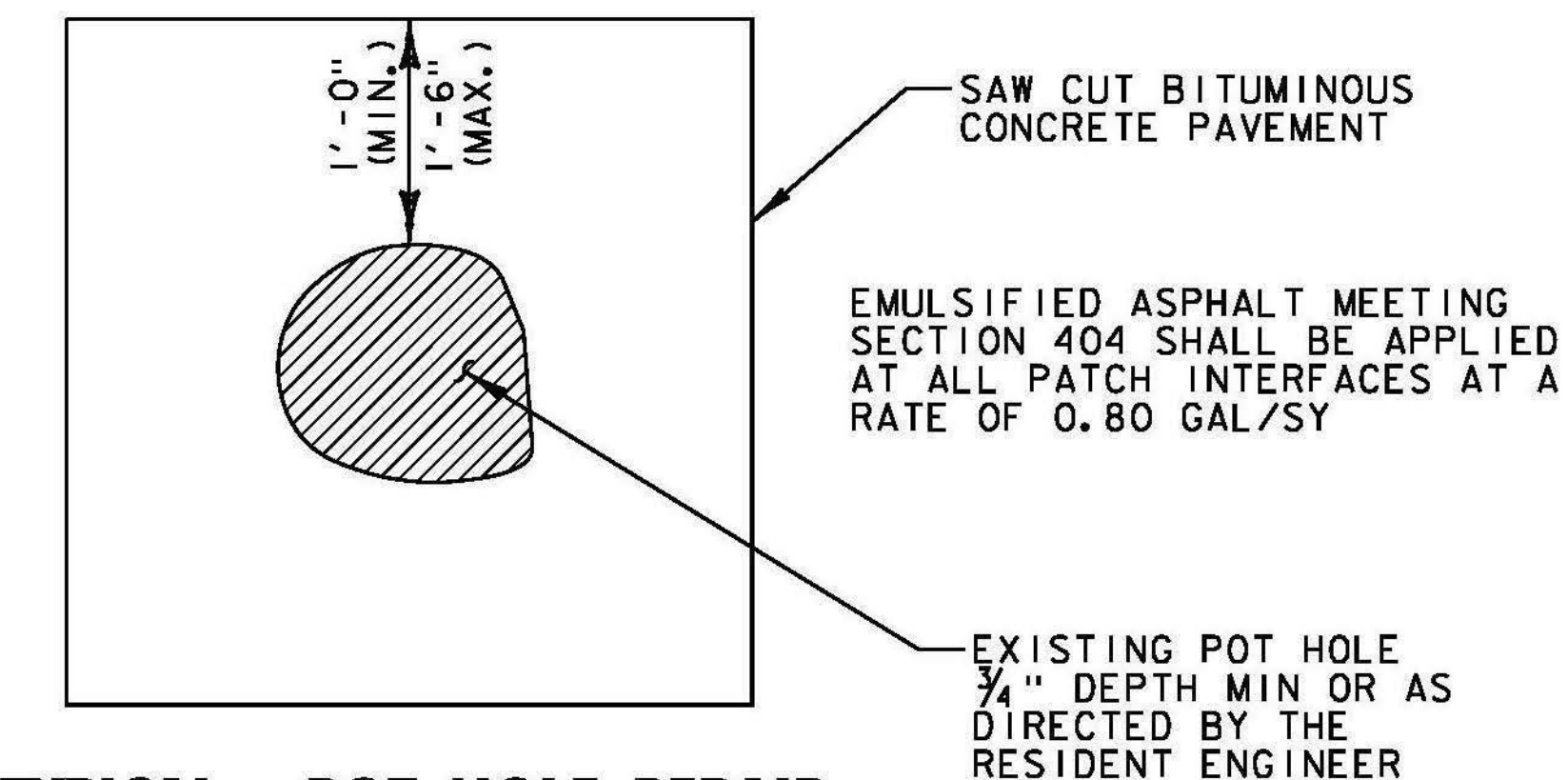


APPROACH AREA DETAIL (BEGIN PROJECT)



APPROACH AREA DETAIL (END PROJECT)

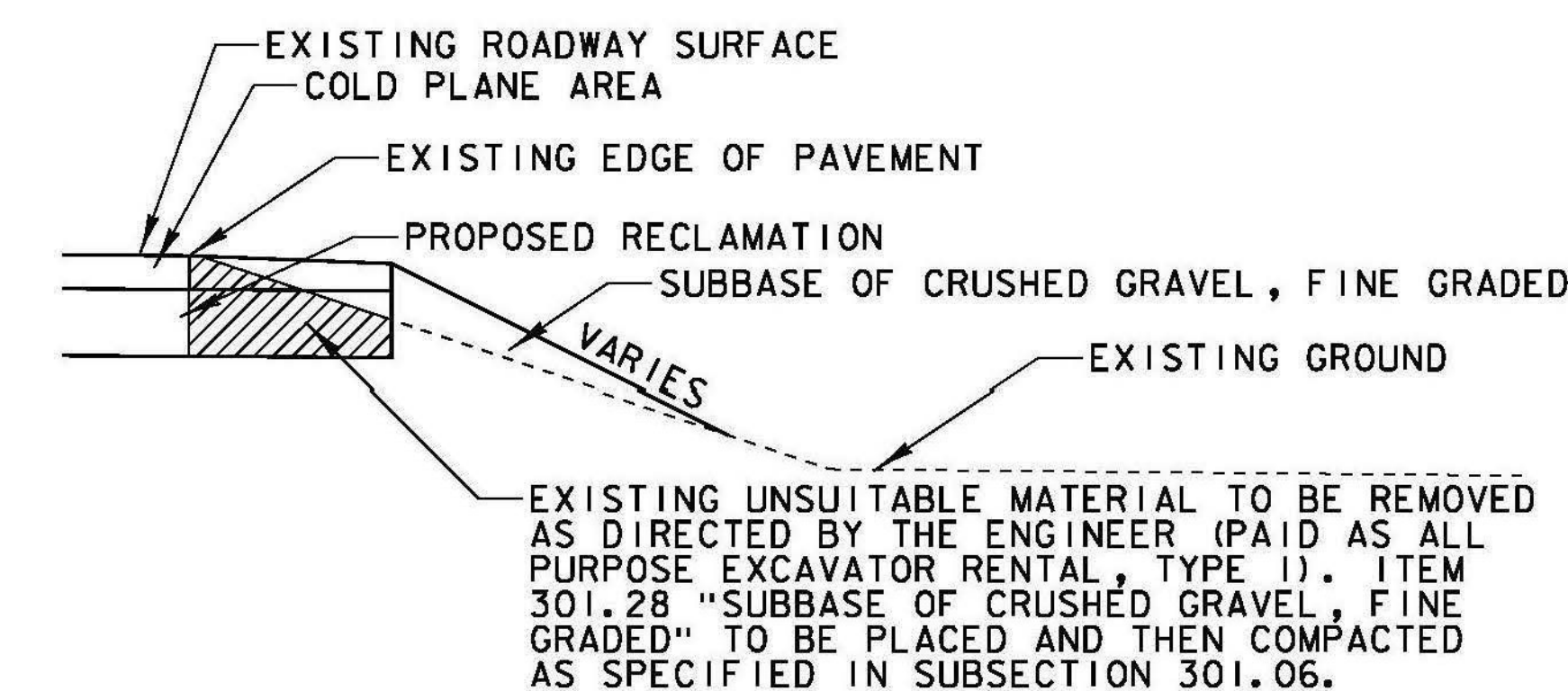
RANDOLPH
STA. 401+36.72



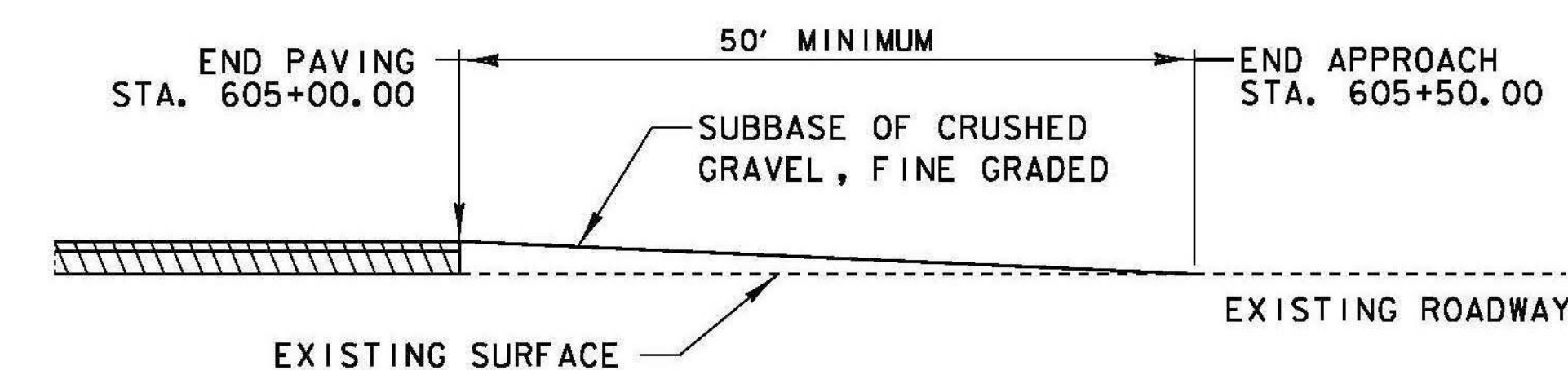
TYPICAL - POT HOLE REPAIR

NOT TO SCALE

NOTE:
ALL WORK ASSOCIATED WITH POT HOLE REPAIR SHALL BE PAID UNDER ITEM 900.680 "SPECIAL PROVISION (BITUMINOUS CONCRETE PAVEMENT SURFACE PREPARATION, TYPE 1)"



EXISTING SHOULDER RECONSTRUCTION DETAIL



TH#46 END APPROACH DETAIL

RANDOLPH
STA. 605+00.00

DETAILS ARE NOT TO SCALE

PROJECT NAME: RANDOLPH
PROJECT NUMBER: STP 2932(I)

FILE NAME: z10c270.dgn
PROJECT LEADER: C. LATHROP
DESIGNED BY: B. BRESLEND
PROJECT TYPICAL SHEET 7

PLOT DATE: 6/5/2014
DRAWN BY: J. GOODALL
CHECKED BY: C. LATHROP
SHEET 14 OF 276