

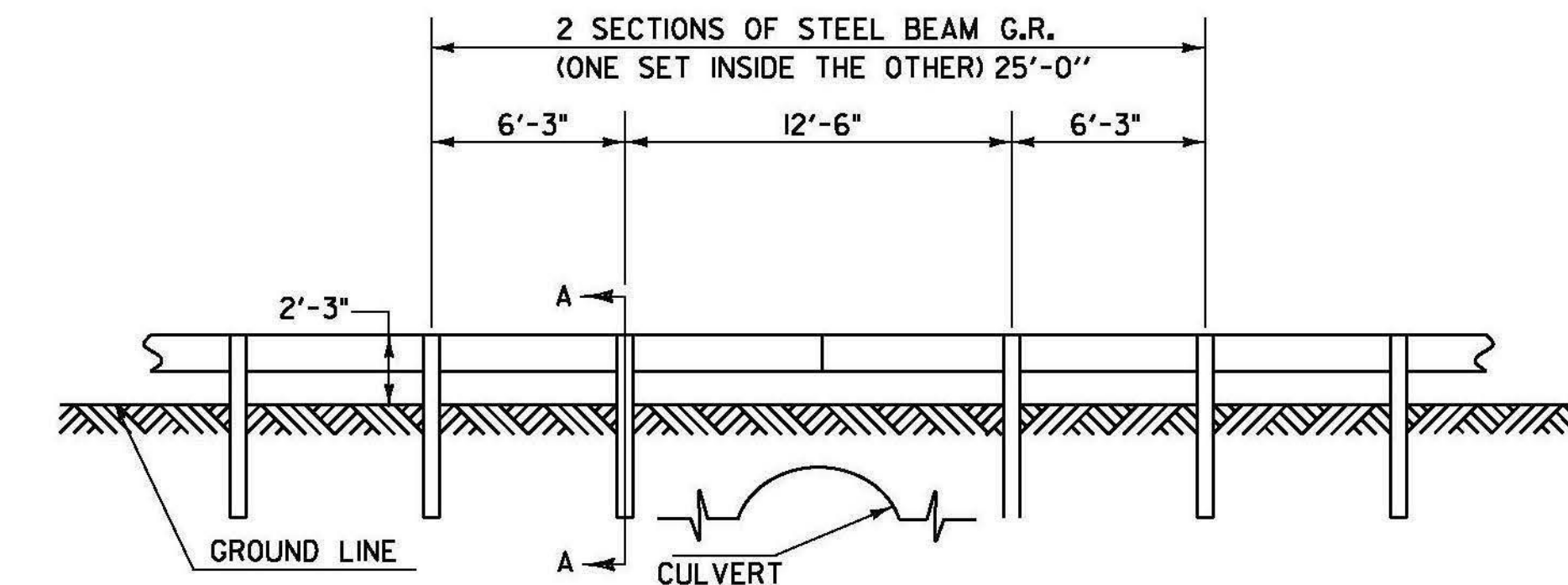
**RECOMMENDED ORDER OF OPERATIONS FOR RECLAIMED STABILIZED BASE
WITH PORTLAND CEMENT PAVEMENT REHABILITATION STA. 24+77 – STA. 124+75 & STA. 139+50 – STA. 176+75**

STEP	DESCRIPTION	PAYMENT ITEM(S)
1	INSTALL 6 INCH UNDERDRAIN PIPE	ITEM 605.10 "6 INCH UNDERDRAIN PIPE"
2	COLD PLANE EXISTING BITUMINOUS CONCRETE PAVEMENT FIVE INCHES	ITEM 210.10 "COLD PLANING, BITUMINOUS PAVEMENT"
3	REPAIR EXISTING SHOULDERS AS DIRECTED BY THE ENGINEER	ITEM 301.28 "SUBBASE OF CRUSHED GRAVEL, FINE GRADED"
4	RECLAIM EXISTING ROADBED EIGHT INCHES FROM TOP OF SLOPE TO TOP OF SLOPE USING WATER FOR STABILIZATION AND COMPACTION	ITEM 310.20 "RECLAIMED STABILIZED BASE"
5	CORRECT SUPERELEVATION DEFICIENCIES	ITEM 301.28 "SUBBASE OF CRUSHED GRAVEL, FINE GRADED" SEE NOTE 7 ON SHEET 8
6	RECLAIM AREAS OF SUPERELEVATION CORRECTION EIGHT INCHES AS DIRECTED BY ENGINEER	INCIDENTAL TO ITEM 310.20 RECLAIMED STABILIZED BASE
7	PLACE PORTLAND CEMENT ON ROADBED SURFACE AND RECLAIM ROADBED EIGHT INCHES, CURE, MICROCRACK, AND APPLY FOG SEAL SURFACE TREATMENT	ITEM 900.675 "SPECIAL PROVISION (RECLAIMED STABILIZED BASE, PORTLAND CEMENT)" ITEM 900.680 "SPECIAL PROVISION (PORTLAND CEMENT FOR BASE STABILIZATION)" ITEM 900.683 "SPECIAL PROVISION (FOG SEAL SURFACE TREATMENT)"
8	PLACE THREE INCHES OF COLD MIXED RECYCLED BITUMINOUS PAVEMENT, PORTLAND CEMENT IN ONE LIFT AND USE EMULSIFIED ASPHALT AS A LIQUID BINDER	ITEM 900.675 "SPECIAL PROVISION (COLD MIXED RECYCLED BITUMINOUS PAVEMENT, PORTLAND CEMENT)" ITEM 900.680 "SPECIAL PROVISION (AGGREGATE TO MEET COLD MIX GRADATION)" ITEM 900.680 "SPECIAL PROVISION (PORTLAND CEMENT FOR COLD MIXED RECYCLING)" ITEM 900.683 "SPECIAL PROVISION (EMULSIFIED ASPHALT, COLD MIX WITH CEMENT)"
9	PLACE 2 1/2" TYPE IIS INTERMEDIATE COURSE	ITEM 490.30 "SUPERPAVE BITUMINOUS CONCRETE PAVEMENT"
10	PLACE 1 1/2" TYPE IVS WEARING COURSE	ITEM 490.30 "SUPERPAVE BITUMINOUS CONCRETE PAVEMENT"

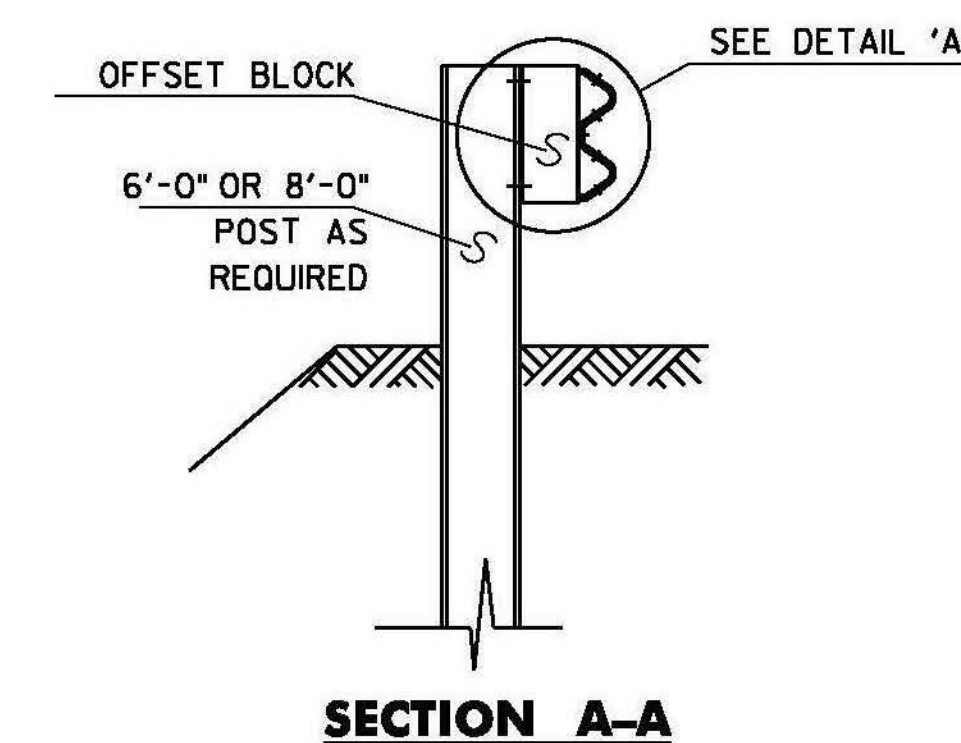
**RECOMMENDED ORDER OF OPERATIONS FOR RECLAIMED STABILIZED BASE
WITH PORTLAND CEMENT PAVEMENT REHABILITATION STA. 176+75 – STA. 401+36.72**

STEP	DESCRIPTION	PAYMENT ITEM(S)
1	INSTALL 6 INCH UNDERDRAIN PIPE	ITEM 605.10 "6 INCH UNDERDRAIN PIPE"
2	COLD PLANE EXISTING BITUMINOUS CONCRETE PAVEMENT FOUR INCHES	ITEM 210.10 "COLD PLANING, BITUMINOUS PAVEMENT"
3	REPAIR EXISTING SHOULDERS AS DIRECTED BY THE ENGINEER	ITEM 301.28 "SUBBASE OF CRUSHED GRAVEL, FINE GRADED"
4	RECLAIM EXISTING ROADBED EIGHT INCHES FROM TOP OF SLOPE TO TOP OF SLOPE USING WATER FOR STABILIZATION AND COMPACTION	ITEM 310.20 "RECLAIMED STABILIZED BASE"
5	CORRECT SUPERELEVATION DEFICIENCIES	ITEM 301.28 "SUBBASE OF CRUSHED GRAVEL, FINE GRADED" SEE NOTE 7 ON SHEET 8
6	RECLAIM AREAS OF SUPERELEVATION CORRECTION EIGHT INCHES AS DIRECTED BY ENGINEER	INCIDENTAL TO ITEM 310.20 RECLAIMED STABILIZED BASE
7	PLACE PORTLAND CEMENT ON ROADBED SURFACE AND RECLAIM ROADBED EIGHT INCHES, CURE, MICROCRACK, AND APPLY FOG SEAL SURFACE TREATMENT	ITEM 900.675 "SPECIAL PROVISION (RECLAIMED STABILIZED BASE, PORTLAND CEMENT)" ITEM 900.680 "SPECIAL PROVISION (PORTLAND CEMENT FOR BASE STABILIZATION)" ITEM 900.683 "SPECIAL PROVISION (FOG SEAL SURFACE TREATMENT)"
8	PLACE FOUR INCHES OF COLD MIXED RECYCLED BITUMINOUS PAVEMENT, PORTLAND CEMENT IN (TWO) TWO INCH LIFTS AND USE EMULSIFIED ASPHALT AS A LIQUID BINDER	ITEM 900.675 "SPECIAL PROVISION (COLD MIXED RECYCLED BITUMINOUS PAVEMENT, PORTLAND CEMENT)" ITEM 900.680 "SPECIAL PROVISION (AGGREGATE TO MEET COLD MIX GRADATION)" ITEM 900.680 "SPECIAL PROVISION (PORTLAND CEMENT FOR COLD MIXED RECYCLING)" ITEM 900.683 "SPECIAL PROVISION (EMULSIFIED ASPHALT, COLD MIX WITH CEMENT)"
9	PLACE 1/2" TYPE IVS LEVELING COURSE	ITEM 490.30 "SUPERPAVE BITUMINOUS CONCRETE PAVEMENT"
10	PLACE 1 1/2" TYPE IVS WEARING COURSE	ITEM 490.30 "SUPERPAVE BITUMINOUS CONCRETE PAVEMENT"

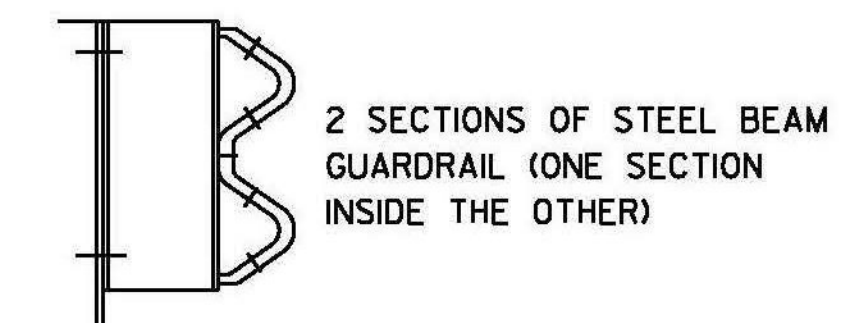
THIS LIST OF PROCEDURES FOR REHABILITATING THE EXISTING ROADBED IS PRESENTED FOR INFORMATIONAL PURPOSES ONLY AND SHALL NOT BE CONSIDERED ALL INCLUSIVE. THE CONTRACTOR SHALL PREPARE THEIR OWN SCHEDULE OF OPERATIONS TO COMPLETE THE PROPOSED WORK IN ACCORDANCE WITH THE PROJECT SPECIFICATIONS WHILE UTILIZING THE APPROPRIATE PAY ITEMS AS SHOWN IN THE PLANS OR AS DIRECTED BY THE ENGINEER.



DETAIL OF STEEL BEAM GUARDRAIL AT SMALL CULVERTS



SECTION A-A



DETAIL A

NOTES:

- SEE STANDARDS G-1 & G-ID FOR STEEL BEAM GUARDRAIL DETAILS.
- THIS WORK SHALL BE PAID UNDER ITEM 621.207 "STEEL BEAM GUARDRAIL, GALVANIZED/NESTED W/8 FEET POSTS".
- THIS DETAIL TO BE USED AT LOCATIONS INDICATED ON THE ITEM DETAIL SHEET OR AS DIRECTED BY THE ENGINEER.

DETAILS ARE NOT TO SCALE

PROJECT NAME: RANDOLPH	PLOT DATE: 6/5/2014
PROJECT NUMBER: STP 2932(I)	DRAWN BY: J. GOODALL
FILE NAME: z10c270.dgn	CHECKED BY: C. LATHROP
PROJECT LEADER: C. LATHROP	SHEET 10 OF 276
DESIGNED BY: B. BRESLEND	
PROJECT TYPICAL SHEET 3	