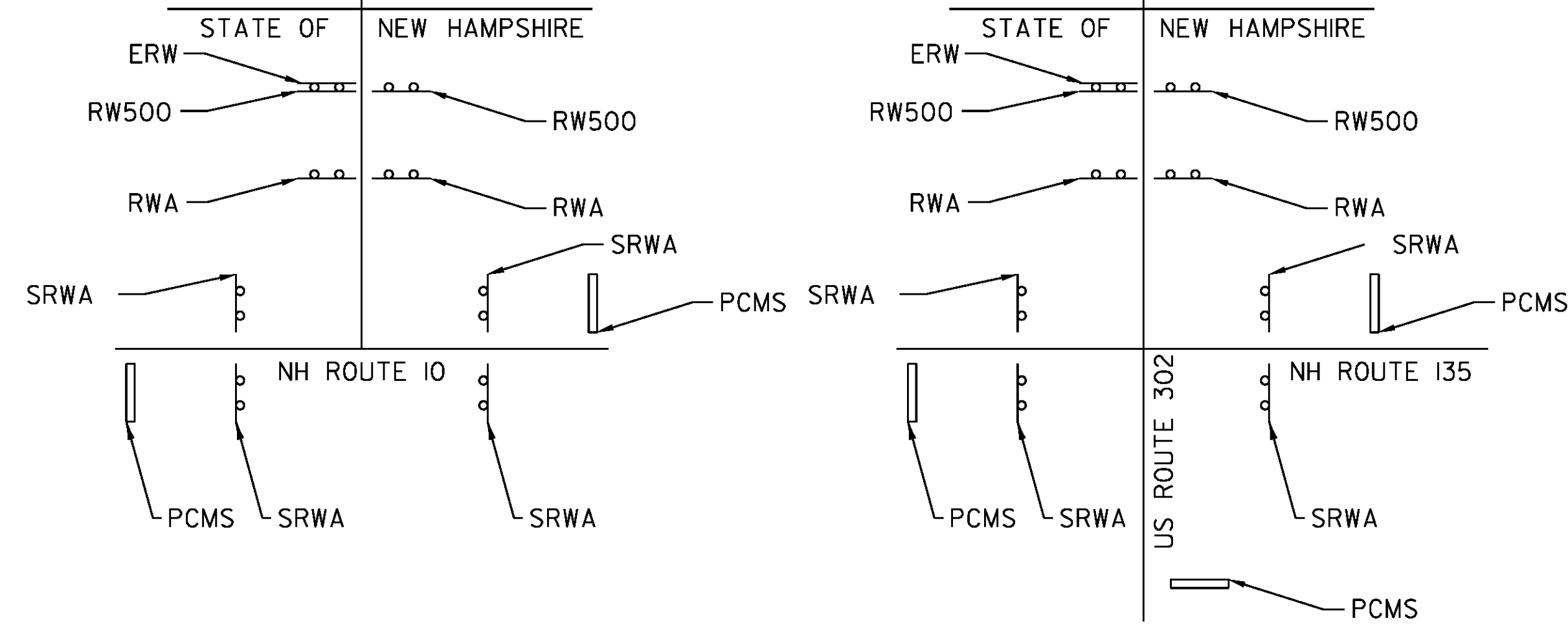


LIST OF TOWN/STATE HIGHWAYS FOR CONSTRUCTION SIGNS

TOWN/STATE HIGHWAY NAME	ROAD WORK AHEAD (RWA)	END ROAD WORK (ERW)	ROAD WORK 500' (RW500)	ROAD WORK NEXT 16 MILES (RWN)	SIDE ROAD WORK AHEAD (SRWA)	PCMS
US ROUTE 5						
BEGINNING OF PROJECT	2	1	2	1		1
VT 25B	1	1				
TH 68 LOOP	-	-				
TH 63	1	1				
TH 74 LOOP	-	-				
TH 67 DEAD END	-	-				
TH 69	1	1				
TH 66 DEAD END	-	-				
TH 3	1	1				
TH 56 DEAD END	-	-				
TH 17 DEAD END	-	-				
TH 43 LOOP	-	-				
TH 18 LOOP	-	-				
TH 84 LOOP	-	-				
TH 1	1	1				
TH 74 LOOP	-	-				
TH 83 LOOP	-	-				
TH 55 DEAD END	-	-				
TH 53 LOOP	-	-				
TH 4	1	1				
TH 81	1	1				
TH 76 LOOP	-	-				
TH 54 DEAD END	-	-				
TH 52 LOOP	-	-				
TH 39 DEAD END	-	-				
TH 30 DEAD END	-	-				
TH 31 DEAD END	-	-				
TH 407 DEAD END	-	-				
TH 414 DEAD END	-	-				
TH 405 DEAD END	-	-				
TH 406 DEAD END	-	-				
TH 410 DEAD END	-	-				
TH 415 DEAD END	-	-				
TH 412 LOOP	-	-				



LIST OF TOWN/STATE HIGHWAYS FOR CONSTRUCTION SIGNS

TOWN/STATE HIGHWAY NAME	ROAD WORK AHEAD (RWA)	END ROAD WORK (ERW)	ROAD WORK 500' (RW500)	ROAD WORK NEXT 2 MILES (RWN)	ROAD WORK NEXT 8 MILES (RWN)	ROAD WORK NEXT 14 MILES (RWN)	ROAD WORK NEXT 16 MILES (RWN)	SIDE ROAD WORK AHEAD (SRWA)	PCMS
TH 403	1	1							
END OF PROJECT	2	1	2				1		1
NEWBURY STATE HWY					2				
END NSH	2	1	2					4	2
US 302						1			
BEGIN US 302	2	1	2						1
US 302				1					
TH 412 LOOP	-	-							
END US 302	2	1	2					4	3
TOTAL	18	13	10	1	2	1	2	8	8

NOT TO SCALE

PROJECT NAME: BRADFORD-RYEGATE  
 PROJECT NUMBER: STP 2929(I)  
 FILE NAME: z10c264frm.dgn  
 PROJECT LEADER: P. SHEDD  
 DESIGNED BY: N. LEMAY  
 TRAFFIC CONTROL PLAN  
 PLOT DATE: 2/4/2016  
 DRAWN BY: W. GORDON  
 CHECKED BY: P. SHEDD  
 SHEET 236 OF 239

CLD 14-0278