

TEMPORARY 4 INCH WHITE LINE, PAINT
 DURABLE 4 INCH WHITE LINE (OPTION ITEM)
 N 313+50 TO N 319+50 SOLID LT & RT

TEMPORARY 4 INCH YELLOW LINE, PAINT
 DURABLE 4 INCH YELLOW LINE, EPOXY PAINT OR
 DURABLE 4 INCH YELLOW LINE, POLYUREA (OPTION ITEM)
 N 313+50 TO N 319+50 SOLID LT & RT

STEEL BEAM GUARDRAIL, GALVANIZED
 N 313+50 TO N 315+39.5 LT
 N 313+50 TO N 313+78.5 RT
 N 316+66 TO N 317+03.5 RT

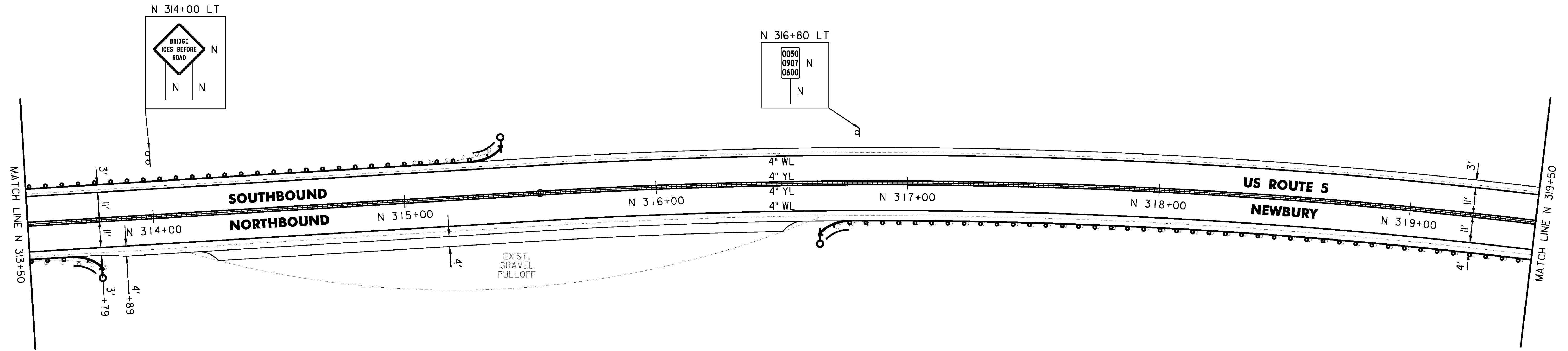
ANCHOR FOR STEEL BEAM RAIL
 3 (SEE STANDARD G-1d)

REMOVAL AND DISPOSAL OF GUARDRAIL
 N 313+50 TO N 315+35 LT
 N 313+50 TO N 313+80 RT
 N 316+66 TO N 317+03.5 RT

DELINEATOR WITH STEEL POST
 N 313+78.5 RT
 N 315+39.5 LT
 N 316+66 RT

REMOVE AND RESET GUARDRAIL
 N 317+03.5 TO N 319+50 RT

MILLED RUMBLE STRIPS
 N 313+50 TO N 319+50 CL



CLD 14-0278

NOT TO SCALE

PROJECT NAME: BRADFORD-RYEGATE	PLOT DATE: 2/4/2016
PROJECT NUMBER: STP 2929(I)	DRAWN BY: W. GORDON
FILE NAME: z10c264bdr.dgn	CHECKED BY: P. SHEDD
PROJECT LEADER: P. SHEDD	SHEET 151 OF 239
DESIGNED BY: N. LEMAY	
US 5 PLAN SHEET 93	