

TEMPORARY 4 INCH WHITE LINE, PAINT
 DURABLE 4 INCH WHITE LINE (OPTION ITEM)
 N 277+50 TO N 283+50 SOLID LT & RT

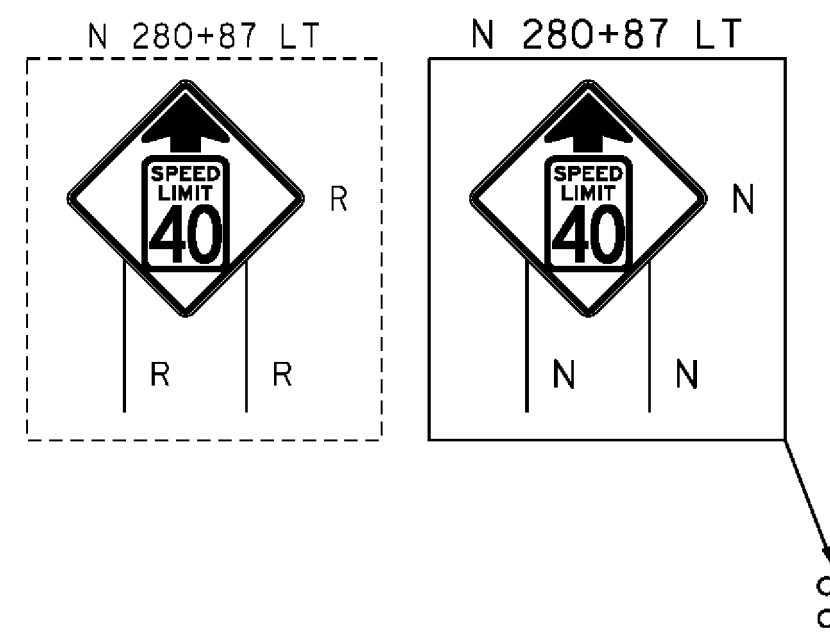
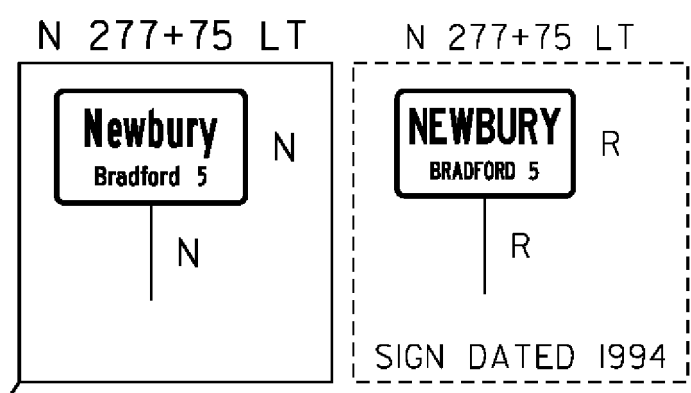
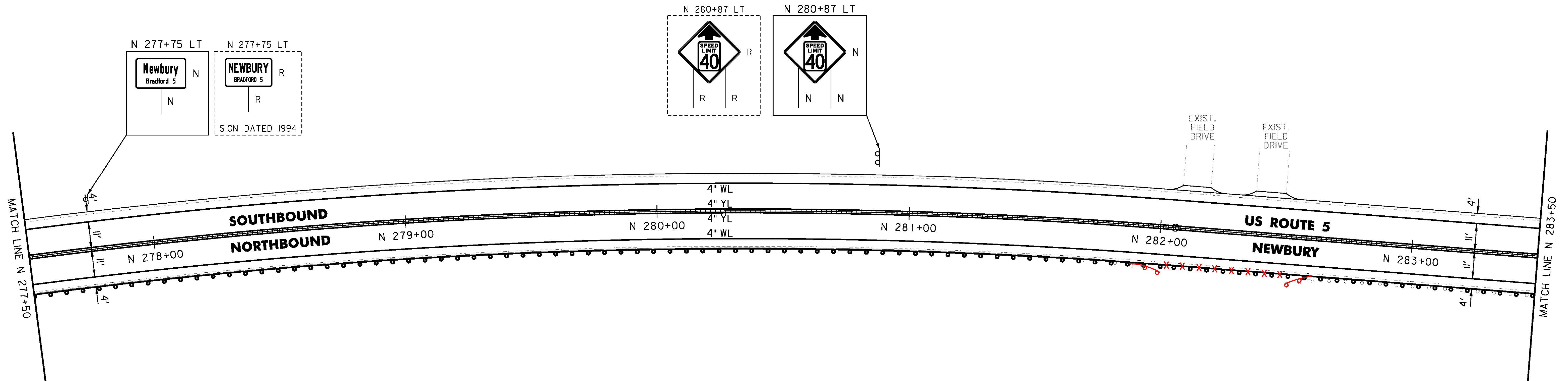
TEMPORARY 4 INCH YELLOW LINE, PAINT
 DURABLE 4 INCH YELLOW LINE, EPOXY PAINT OR
 DURABLE 4 INCH YELLOW LINE, POLYUREA (OPTION ITEM)
 N 277+50 TO N 283+50 SOLID LT & RT

STEEL BEAM GUARDRAIL, GALVANIZED
 N 277+50 TO N 283+50 RT

REMOVAL AND DISPOSAL OF GUARDRAIL
 N 277+50 TO N 282+01 RT
 N 282+51 TO N 283+50 RT

MILLED RUMBLE STRIPS
 N 277+50 TO N 283+50 CL

REMOVING SIGNS
 AS SHOWN - 2



CLD 14-0278

NOT TO SCALE

PROJECT NAME: BRADFORD-RYEGATE	PLOT DATE: 2/4/2016
PROJECT NUMBER: STP 2929(I)	DRAWN BY: W. GORDON
FILE NAME: z10c264bdr.dgn	CHECKED BY: P. SHEDD
PROJECT LEADER: P. SHEDD	SHEET 145 OF 239
DESIGNED BY: N. LEMAY	
US 5 PLAN SHEET 87	