

TEMPORARY 4 INCH WHITE LINE, PAINT  
 DURABLE 4 INCH WHITE LINE (OPTION ITEM)  
 N 38+50 TO N 44+50 SOLID LT & RT

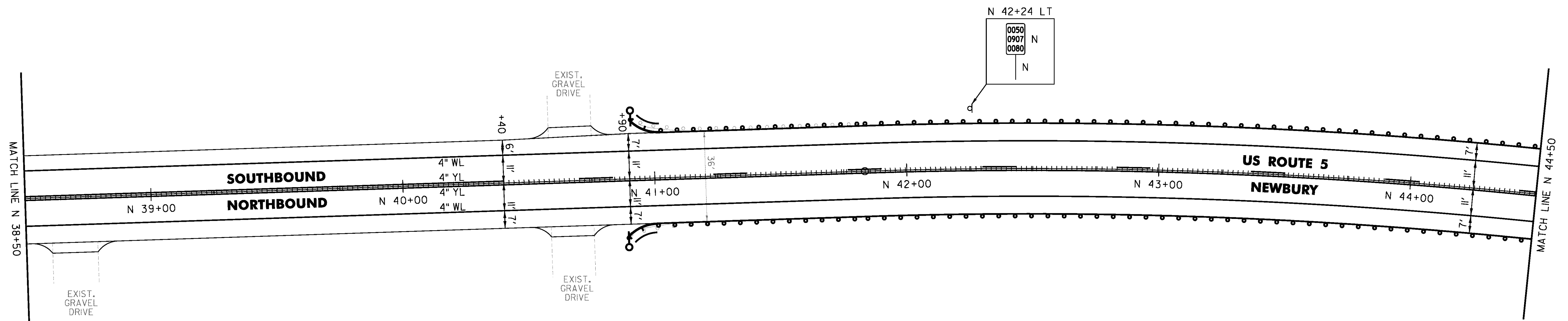
TEMPORARY 4 INCH YELLOW LINE, PAINT  
 DURABLE 4 INCH YELLOW LINE, EPOXY PAINT OR  
 DURABLE 4 INCH YELLOW LINE, POLYUREA (OPTION ITEM)  
 N 38+50 TO N 40+40 SOLID LT & RT  
 N 40+40 TO N 44+50 DASHED LT, SOLID RT

STEEL BEAM GUARDRAIL, GALVANIZED  
 N 40+89 TO N 44+50 RT  
 N 40+91 TO N 44+50 LT

ANCHOR FOR STEEL BEAM RAIL  
 2 (SEE STANDARD C-1d)  
 REMOVAL AND DISPOSAL OF GUARDRAIL  
 N 40+89 TO N 44+50 RT  
 N 40+94 TO N 44+50 LT

MILLED RUMBLE STRIPS  
 N 38+50 TO N 44+50 CL

DELINEATOR WITH STEEL POST  
 N 40+89 RT  
 N 40+91 LT



NOT TO SCALE

PROJECT NAME: BRADFORD-RYEGATE	PLOT DATE: 2/4/2016
PROJECT NUMBER: STP 2929(I)	DRAWN BY: W. GORDON
FILE NAME: z10c264bdr.dgn	CHECKED BY: P. SHEDD
DESIGNED BY: N. LEMAY	SHEET 104 OF 239
US 5 PLAN SHEET 46	