

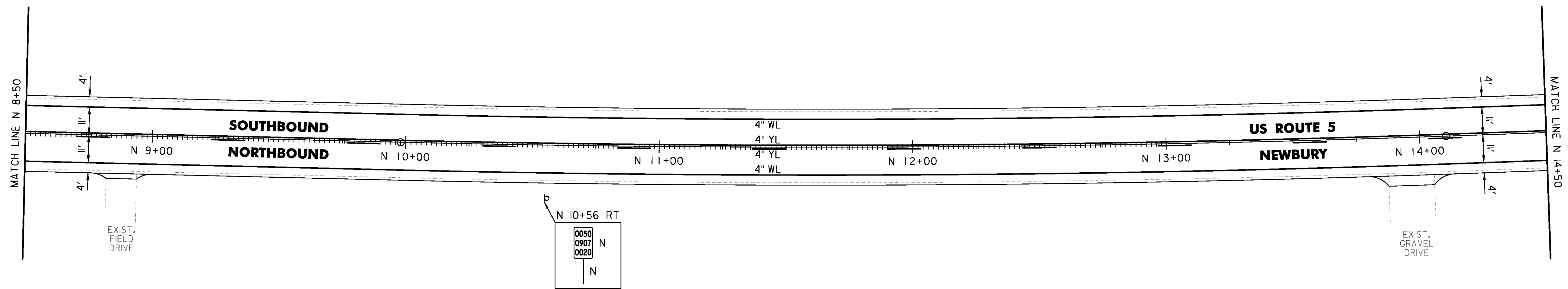
TEMPORARY 4 INCH WHITE LINE, PAINT
DURABLE 4 INCH WHITE LINE (OPTION ITEM)
N 8+50 TO N 14+50 SOLID LT & RT

MILLED RUMBLE STRIPS
N 8+50 TO N 13+00 CL

TEMPORARY 4 INCH YELLOW LINE, PAINT
N 8+50 TO N 14+50 SOLID LT, DASHED RT

DURABLE 4 INCH YELLOW LINE (OPTION ITEM)
N 13+00 TO N 14+50 SOLID LT, DASHED RT

DURABLE 4 INCH YELLOW LINE, EPOXY PAINT OR
DURABLE 4 INCH YELLOW LINE, POLYUREA (OPTION ITEM)
N 8+50 TO N 13+00 SOLID LT, DASHED RT



NOT TO SCALE

PROJECT NAME: BRADFORD-RYEGATE	PLOT DATE: 2/4/2016
PROJECT NUMBER: STP 2929(I)	DRAWN BY: W. GORDON
FILE NAME: z10c264bdr.dgn	CHECKED BY: P. SHEDD
PROJECT LEADER: P. SHEDD	SHEET 99 OF 239
DESIGNED BY: N. LEMAY	
US 5 PLAN SHEET 4I	