

TEMPORARY 4 INCH WHITE LINE, PAINT  
 DURABLE 4 INCH WHITE LINE (OPTION ITEM)  
 104+50 TO 110+50 SOLID LT & RT  
 104+50 TO 110+50 SOLID LT (DIAGONALS)

TEMPORARY 4 INCH YELLOW LINE, PAINT  
 DURABLE 4 INCH YELLOW LINE (OPTION ITEM)  
 104+50 TO 110+50 SOLID LT & RT  
 104+50 TO 110+50 SOLID LT (SHOULDER)

TEMPORARY 8 INCH WHITE LINE, PAINT  
 DURABLE 8 INCH WHITE LINE (OPTION ITEM)  
 104+50 TO 110+50 SOLID LT (SHOULDER)

DURABLE LETTER OR SYMBOL (OPTION ITEM)  
 105+94 LT - STRAIGHT ARROW  
 106+06 LT - PEDESTRIAN SYMBOL  
 106+06 LT - BICYCLE SYMBOL

**STEEL BEAM GUARDRAIL, GALVANIZED**

104+50 TO 105+60 LT  
 107+79 TO 108+16.5 LT  
 108+46.5 TO 108+84 RT  
 109+20.5 TO 110+50 RT

ANCHOR FOR STEEL BEAM RAIL  
 4 (SEE STANDARD G-1d)

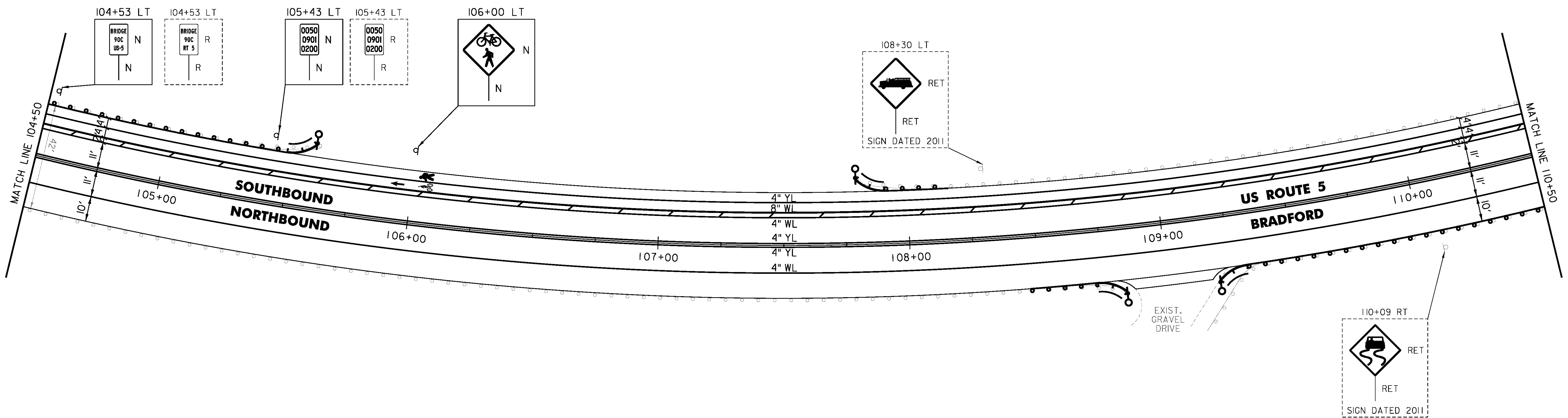
**REMOVAL AND DISPOSAL OF GUARDRAIL**

104+50 TO 105+62 LT  
 107+79 TO 108+16.5 LT  
 108+46.5 TO 108+84 RT  
 109+13 TO 110+50 RT

**DELINEATOR WITH STEEL POST**

105+60 LT  
 107+79 LT  
 108+84 RT  
 109+20.5 RT

**REMOVING SIGNS  
 AS SHOWN - 2**



GLD 14-0278

NOT TO SCALE

PROJECT NAME:	BRADFORD-RYEGATE
PROJECT NUMBER:	STP 2929(I)
FILE NAME:	z10c264bdr.dgn
PROJECT LEADER:	P. SHEDD
DESIGNED BY:	N. LEMAY
US 5 PLAN SHEET 5	
PLOT DATE:	2/4/2016
DRAWN BY:	W. GORDON
CHECKED BY:	P. SHEDD
SHEET	63 OF 239