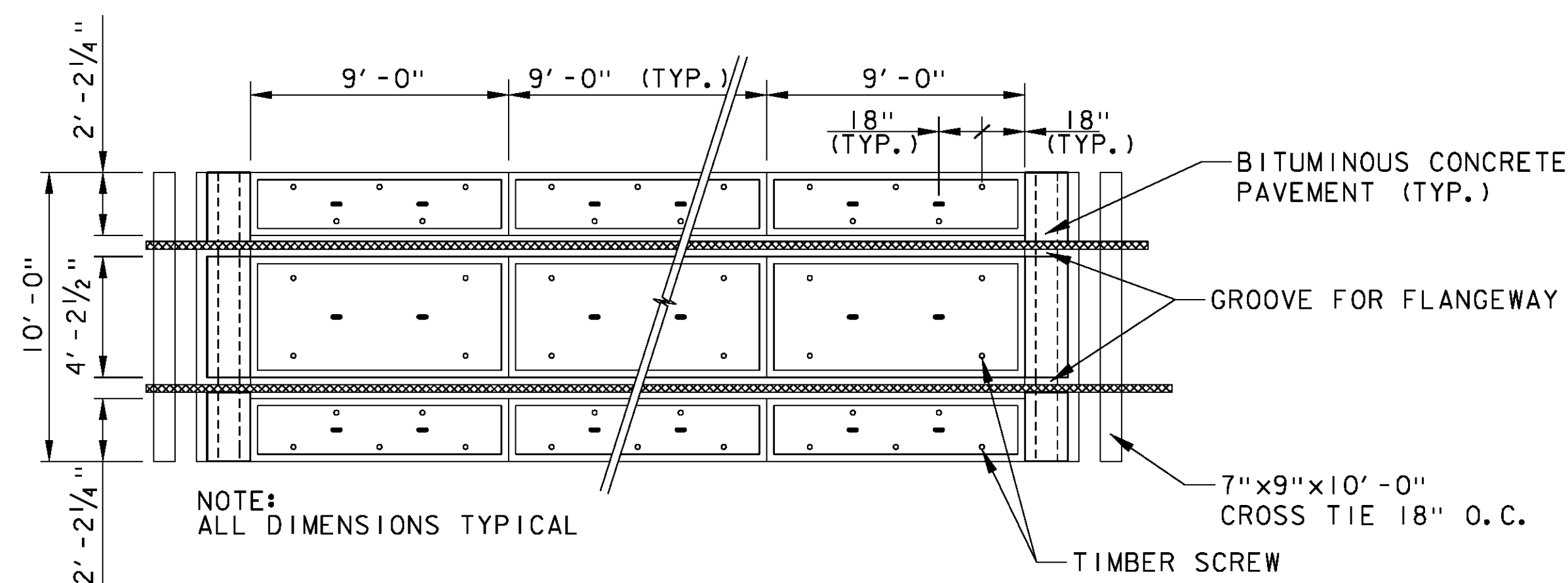


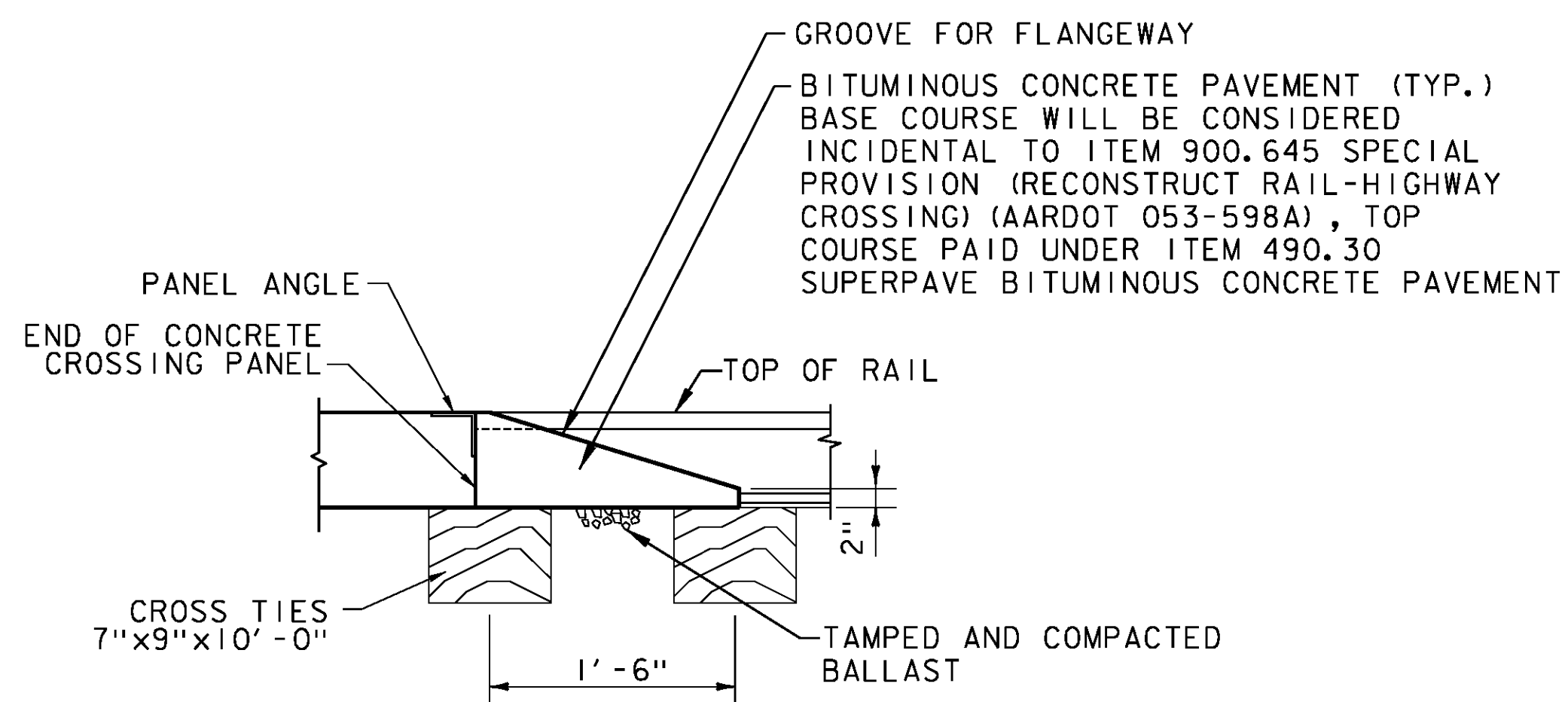
TYPICAL TRANSVERSE SECTION

NTS



TYPICAL VIEW OF CROSSING PANELS

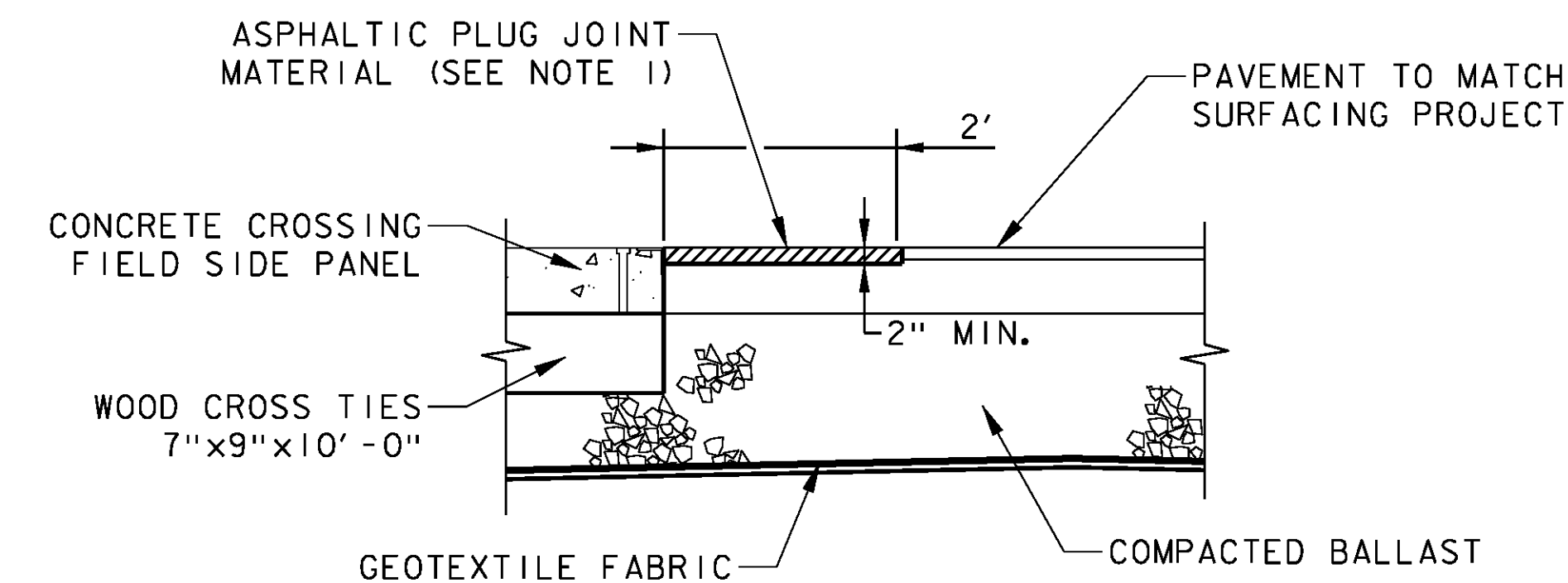
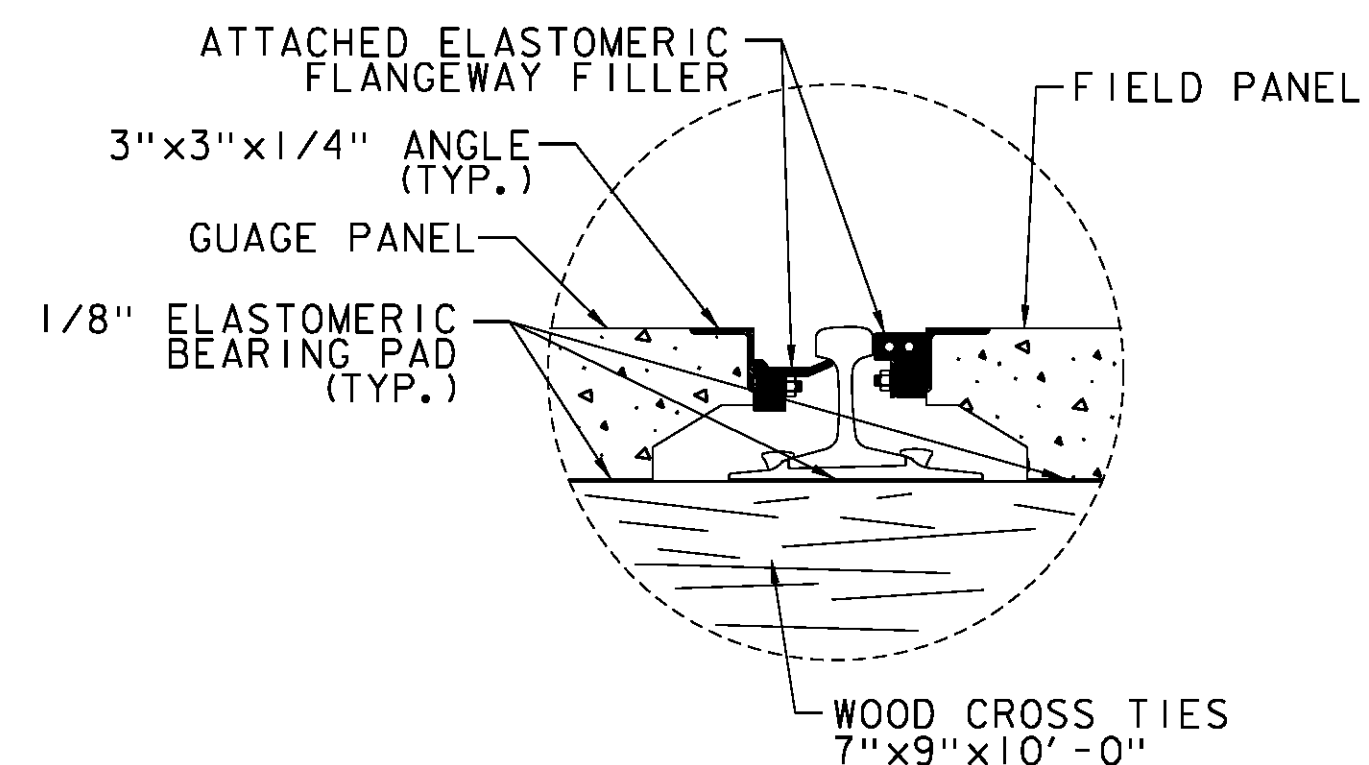
NTS



CONCRETE CROSSING PANEL END SIDE VIEW

NTS

NOTE: GAUGE SIDE SHOWN (FIELD SIDE SIMILAR)

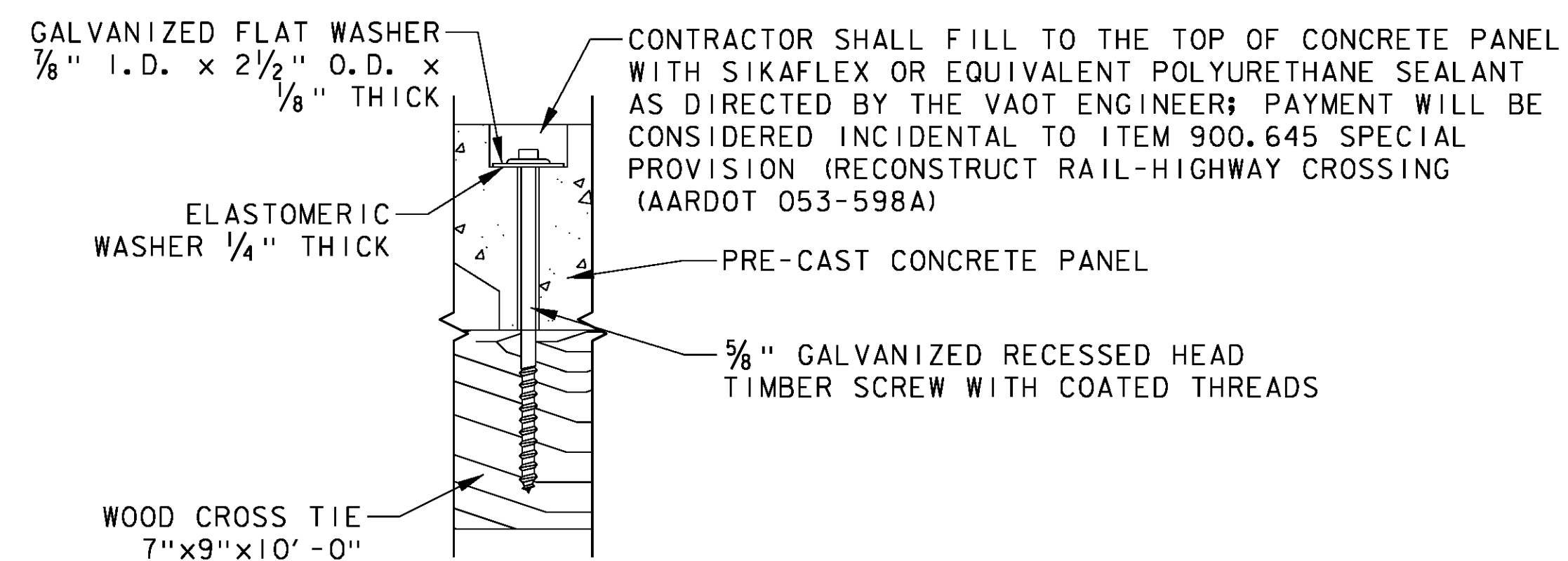


ASPHALT TRANSITION FOR CONCRETE GRADE CROSSING PANELS

NTS

NOTE:

1. CONTRACTOR SHALL COLD PLANE A MINIMUM OF 2" DEEP x 24" WIDE ADJACENT TO THE CONCRETE GRADE CROSSING PANELS AND FILL WITH ASPHALTIC PLUG JOINT MATERIAL AS DIRECTED BY THE VAOT ENGINEER. ALL WORK ASSOCIATED WITH THIS WORK WILL BE PAID UNDER ITEM 900.645 (RECONSTRUCT RAIL-HIGHWAY CROSSING) (AARDOT 053-598A).



CONCRETE CROSSING PANEL TIMBER SCREW DETAIL

NTS

NTS = NOT TO SCALE

PROJECT NAME: BRADFORD-RYEGATE

PROJECT NUMBER: STP 2929(I)

FILE NAME: z10c264det+allsRR.dgn

PROJECT LEADER: J. READ

DESIGNED BY: L. BROCKMAN

GRADE CROSSING DETAILS 2 OF 3

PLOT DATE: 2/4/2016

DRAWN BY: L. BROCKMAN

CHECKED BY: J. READ

SHEET 57 OF 239