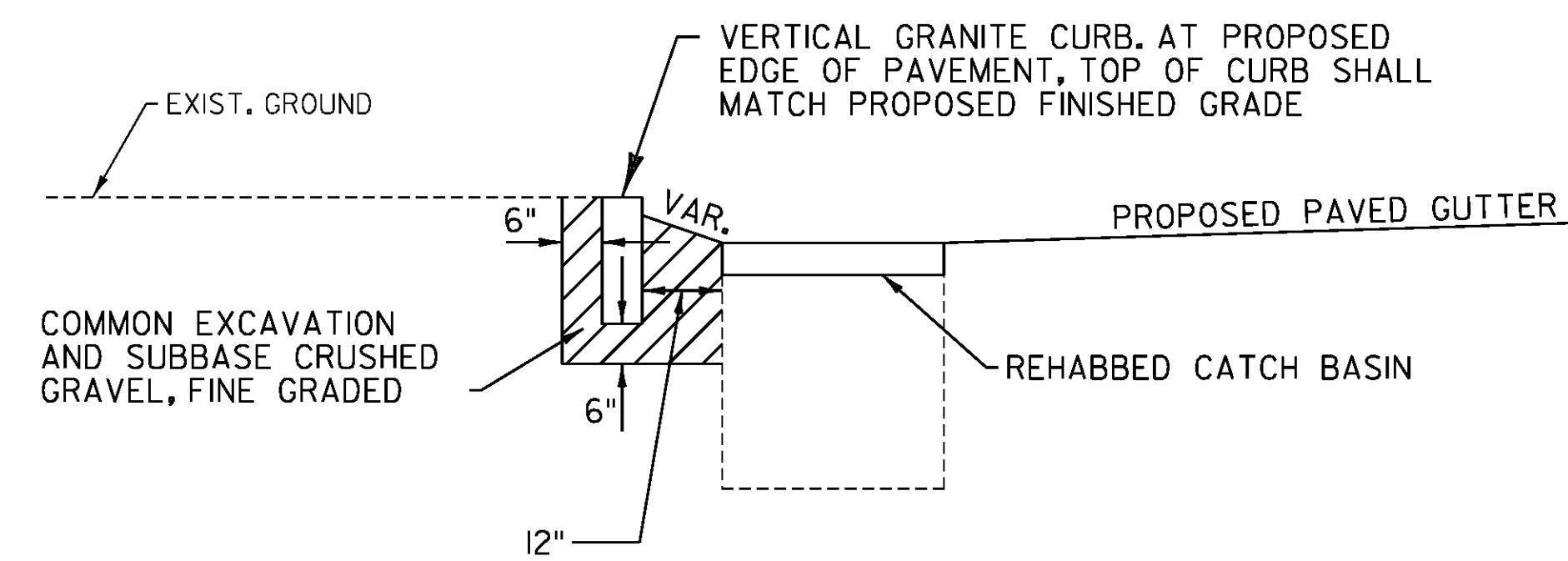


**SECTION A-A**



**SECTION B-B**

**CURB WITH CATCH BASIN DETAIL**

BRADFORD US 5 - 121+37 TO 121+47 RT

NOT TO SCALE

PROJECT NAME: BRADFORD-RYEGATE

PROJECT NUMBER: STP 2929(I)

FILE NAME: z10c264frm.dgn

PLOT DATE: 2/4/2016

PROJECT LEADER: P. SHEDD

DRAWN BY: W. GORDON

DESIGNED BY: N. LEMAY

CHECKED BY: P. SHEDD

DETAIL SHEET 4

SHEET 33 OF 239