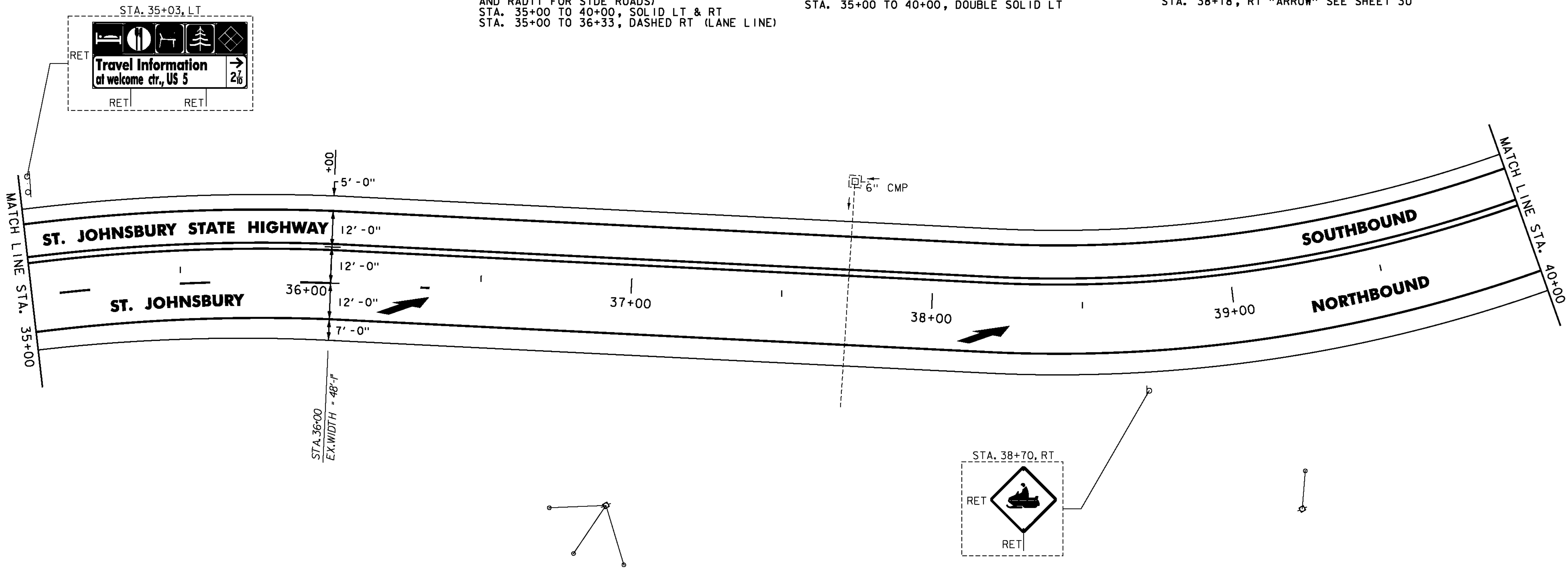


MILLED RUMBLE STRIPS
STA. 35+00 TO 40+00, LT

DURABLE & TEMPORARY 4 INCH WHITE LINE
(ALL LINES WILL INCLUDE EDGE LINE BREAKS AND RADII FOR SIDE ROADS)
STA. 35+00 TO 40+00, SOLID LT & RT
STA. 35+00 TO 36+33, DASHED RT (LANE LINE)

DURABLE & TEMPORARY 4 INCH YELLOW LINE
(ALL LINES WILL INCLUDE & BREAKS FOR SIDE ROADS)
STA. 35+00 TO 40+00, DOUBLE SOLID LT

DURABLE & TEMPORARY LETTER OR SYMBOL
STA. 36+25, RT "ARROW" SEE SHEET 30
STA. 38+18, RT "ARROW" SEE SHEET 30



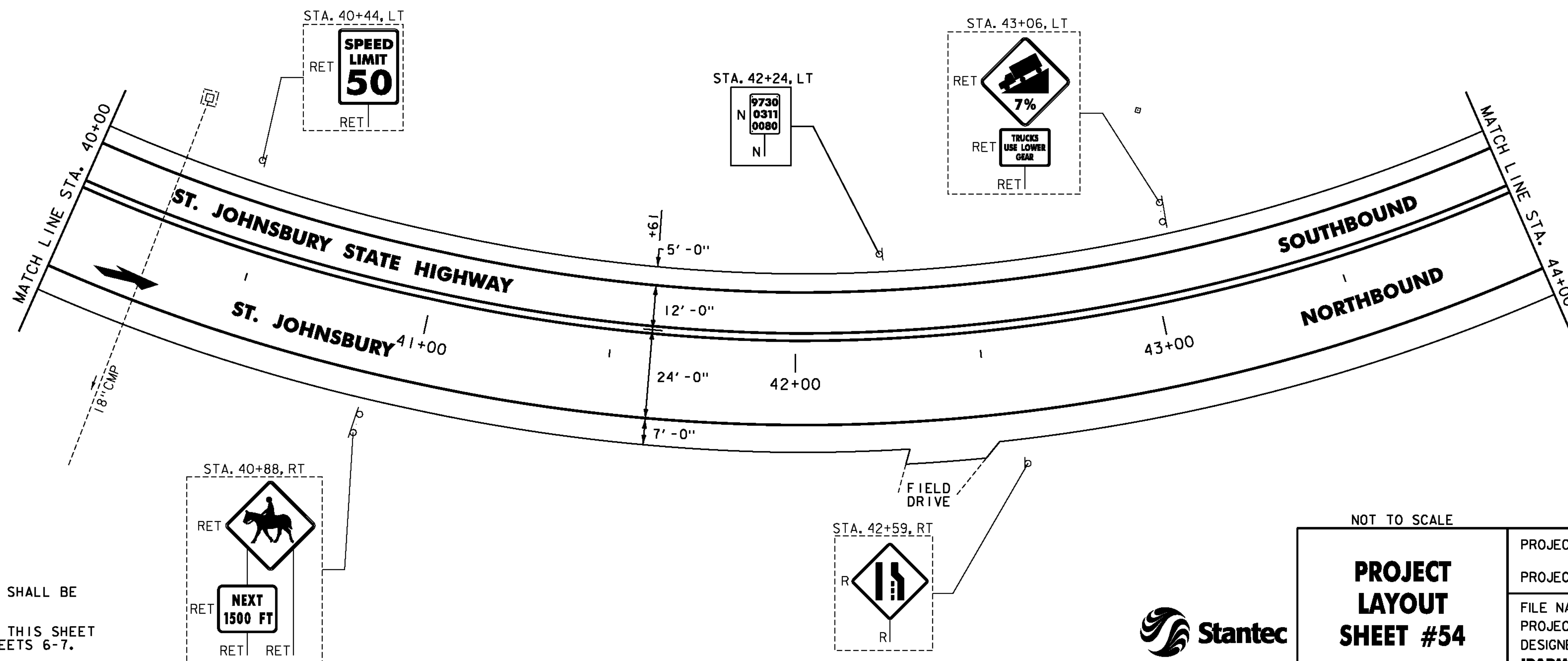
MILLED RUMBLE STRIPS
STA. 40+00 TO 44+00, LT

DURABLE & TEMPORARY 4 INCH WHITE LINE
(ALL LINES WILL INCLUDE EDGE LINE BREAKS AND RADII FOR SIDE ROADS)
STA. 40+00 TO 44+00, SOLID LT & RT

DURABLE & TEMPORARY 4 INCH YELLOW LINE
(ALL LINES WILL INCLUDE & BREAKS FOR SIDE ROADS)
STA. 40+00 TO 44+00, DOUBLE SOLID LT

DURABLE & TEMPORARY LETTER OR SYMBOL
STA. 40+20, RT "ARROW" SEE SHEET 30

REMOVING SIGNS
AS SHOWN - I



NOTES:

1. FOR LEGENDS, SEE SHEET 33.
2. ALL EXISTING SIGNS NOT SHOWN SHALL BE RETAINED.
3. DURABLE MARKINGS DETAILED ON THIS SHEET ARE OPTION BID ITEMS. SEE SHEETS 6-7.

NOT TO SCALE

PROJECT LAYOUT SHEET #54



PROJECT NAME: ST. JOHNSBURY-LYNDON

PROJECT NUMBER: STP 2928(I)

FILE NAME: p10c262.dgn

PROJECT LEADER: JLL

DESIGNED BY: MCF

IPARM FILE: p10c262154.i

PLOT DATE: 10/17/2013

DRAWN BY: STANTEC

CHECKED BY: JLL

SHEET 86 OF 133