

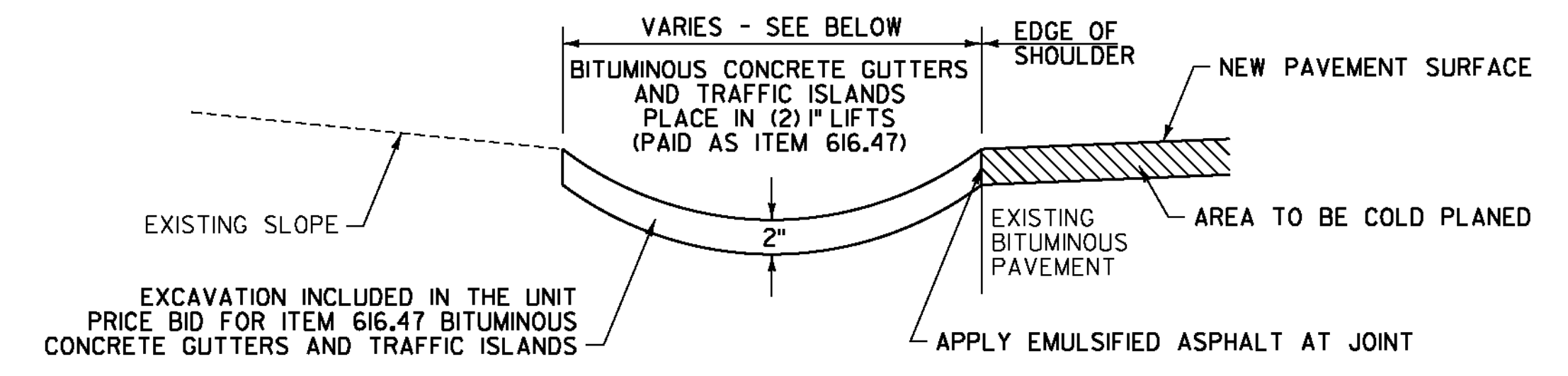
CLEARING LIMITS FOR SIGNS ON CONVENTIONAL ROADS

U.S. ROUTE 5
 ST. JOHNSBURY STA. 320+03, LT
 ST. JOHNSBURY STA. 323+75, LT
 U.S. ROUTE 5
 LYNDON STA. 56+54, RT

THE CONTRACTOR SHALL REMOVE ALL WOODY STEMMED GROWTH INCLUDING BRUSH, SAPLINGS, AND TREE LIMBS GROWING WITHIN OR PROJECTING INTO THE CLEARANCE AREA AND DOWN TO GROUND LEVEL OR AT LEAST 10 FEET BELOW THE BOTTOM OF THE SIGN. PAYMENT WILL BE FOR THINNING AND TRIMMING FOR SIGNS, ITEM 201.31, AND PAID FOR PER EACH. NO CHEMICALS (POISONS OR DEFOLIANTS) ALLOWED.

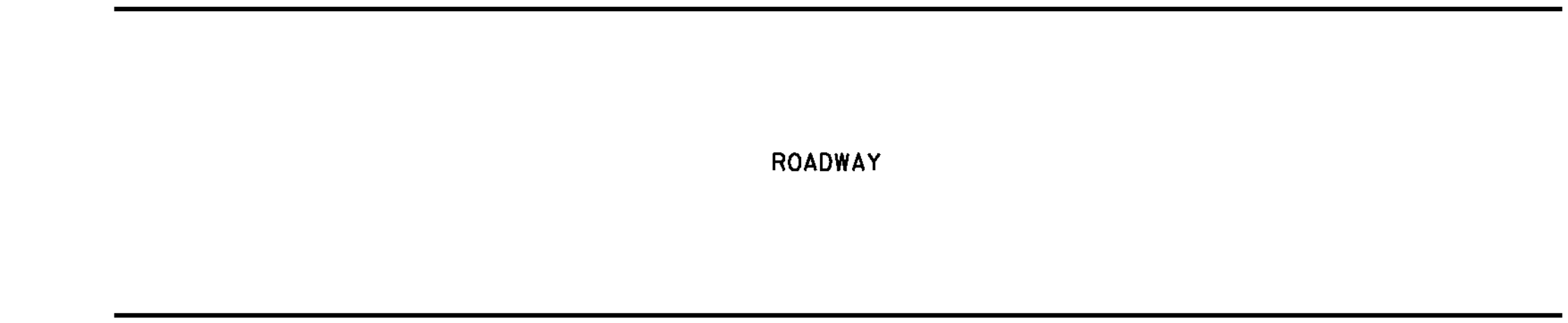
MINIMUM SIGN SIGHT DISTANCE CHART

APPROACH SPEED (mph)	SIGHT DISTANCE (feet)
30 OR LESS	300
35	350
40	400
45	450
50	500
55	550



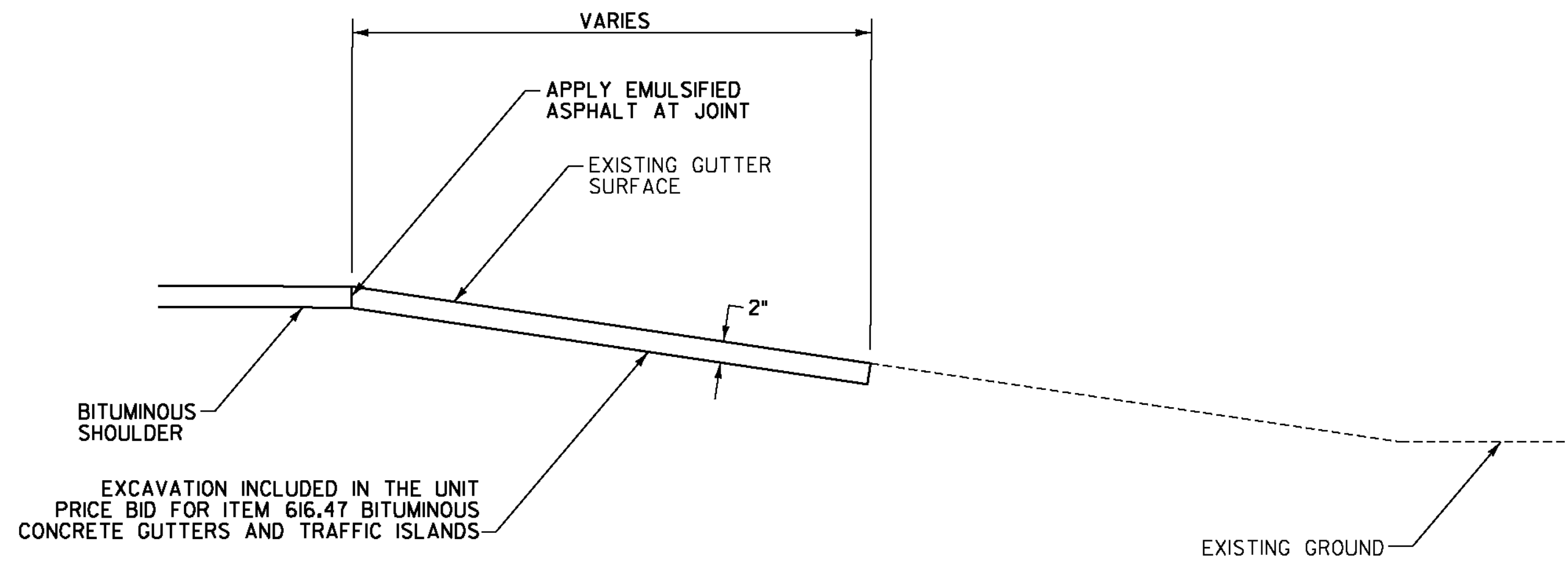
BITUMINOUS CONCRETE GUTTER DETAIL

U.S. ROUTE 5
 LYNDON STA. 65+05 TO 67+49, LT (5' WIDE)
 LYNDON STA. 67+49 TO 68+88, LT (VARIES, SEE SHEET 69)

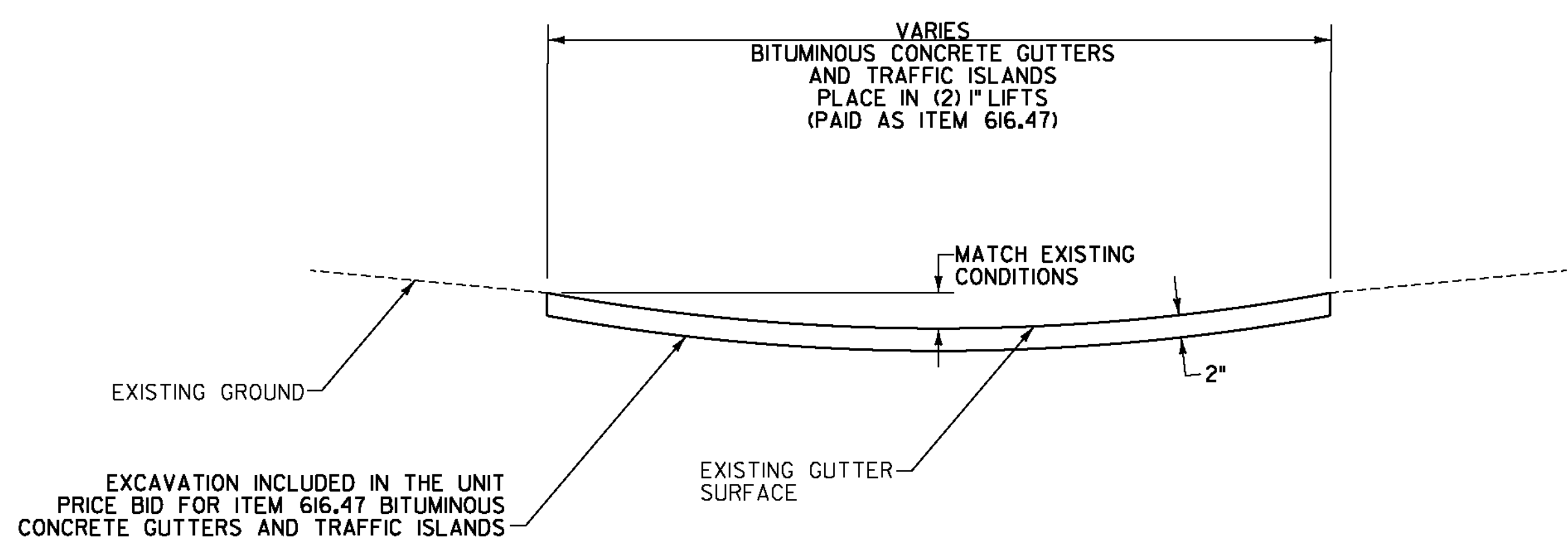


BITUMINOUS CONCRETE GUTTER DETAIL PLAN VIEW

U.S. ROUTE 5
 ST. JOHNSBURY STA. 180+21, RT (27' WIDE)
 ST. JOHNSBURY STA. 256+47, RT (8' WIDE)
 ST. JOHNSBURY STA. 257+20, RT (7' WIDE)
 ST. JOHNSBURY STA. 257+45, RT (4' WIDE)
 ST. JOHNSBURY STA. 351+49, LT (3' WIDE)
 U.S. ROUTE 5
 LYNDON STA. 87+95, LT (3' WIDE)



SECTION A-A



SECTION B-B



NOT TO SCALE

MISCELLANEOUS DETAIL SHEET #3

PROJECT NAME: ST. JOHNSBURY-LYNDON	PLOT DATE: 10/17/2013
PROJECT NUMBER: STP 2928(1)	DRAWN BY: STANTEC
FILE NAME: p10c262.dgn	CHECKED BY: JLL
PROJECT LEADER: JLL	SHEET 31 OF 133
DESIGNED BY: MCF	
IPARM FILE: p10c262md03.i	