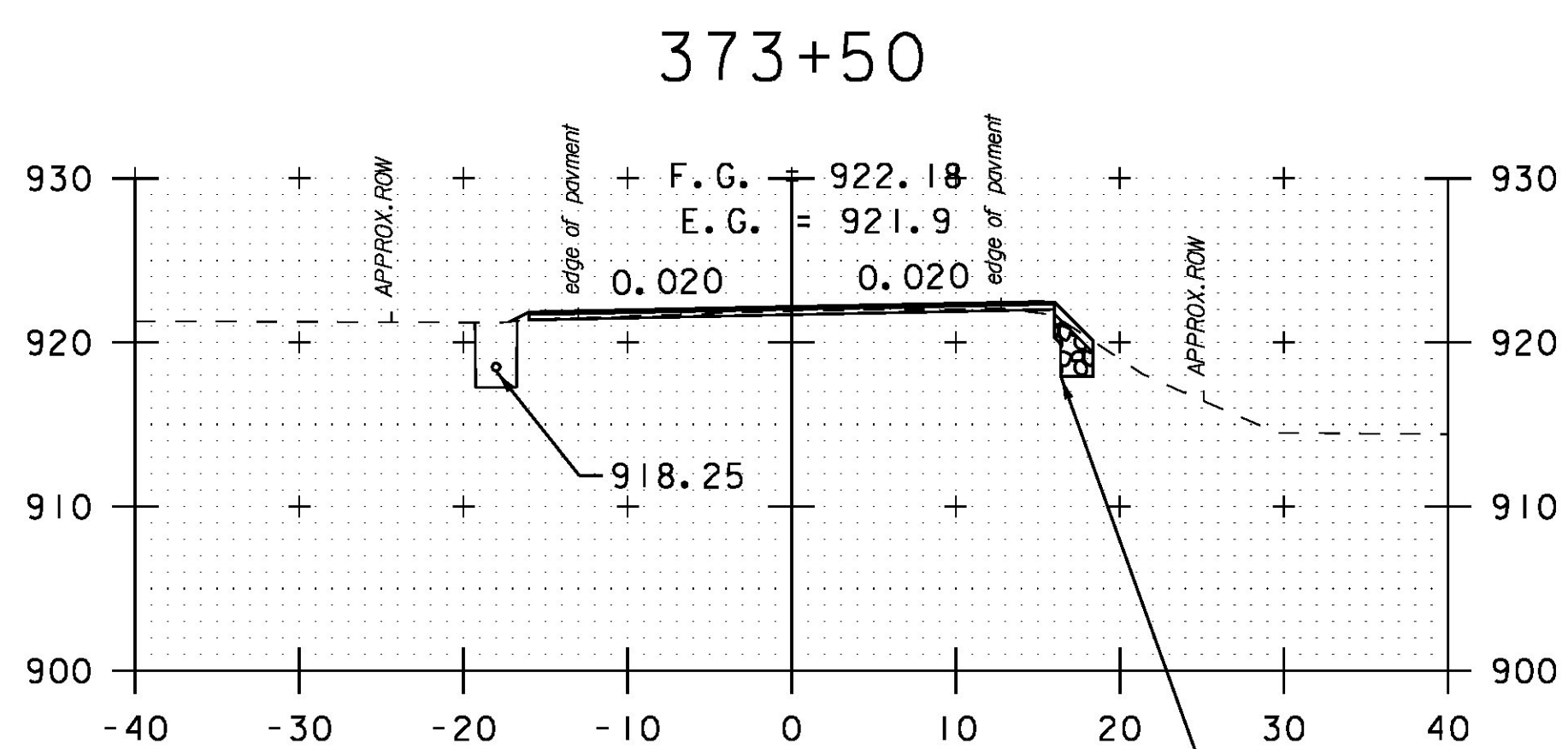
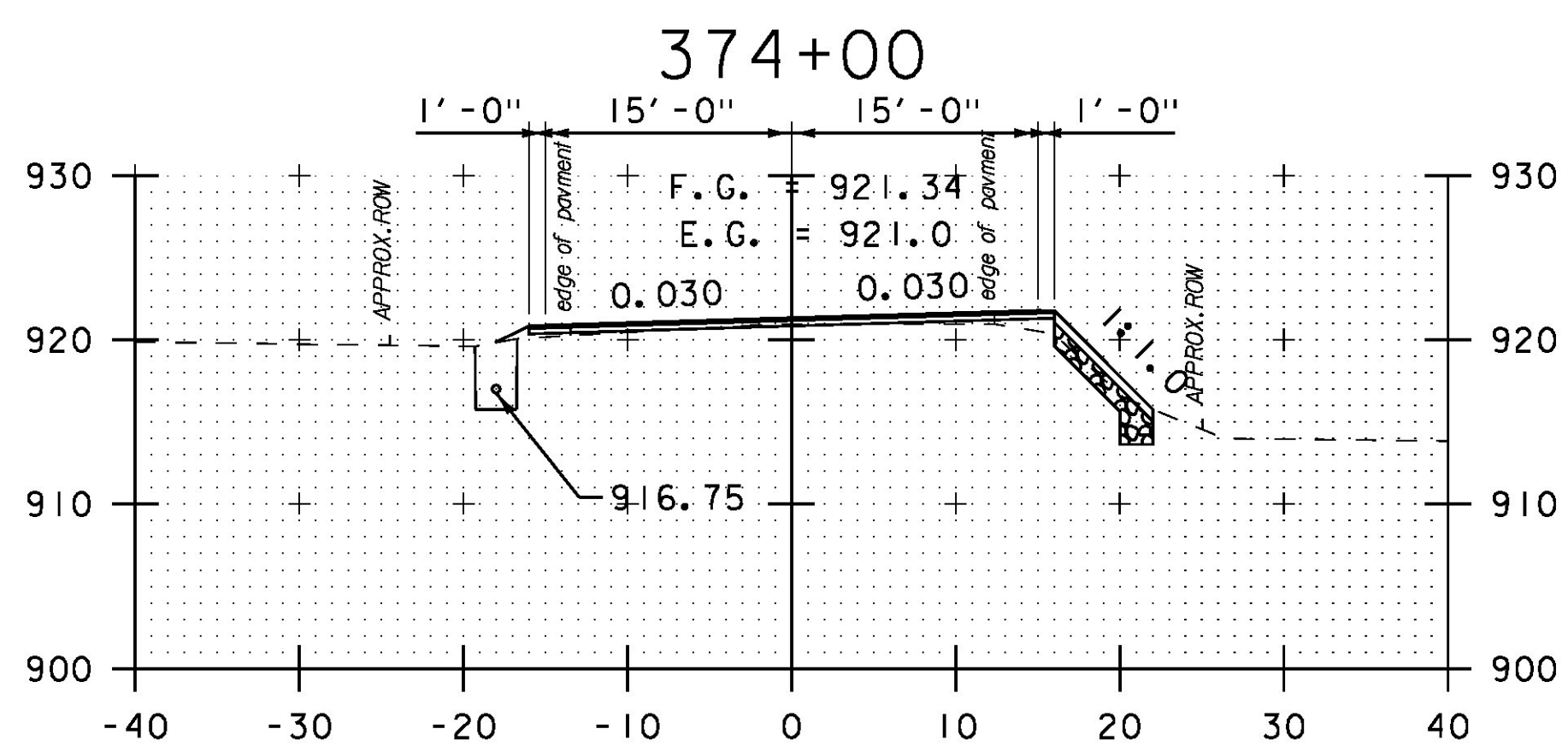
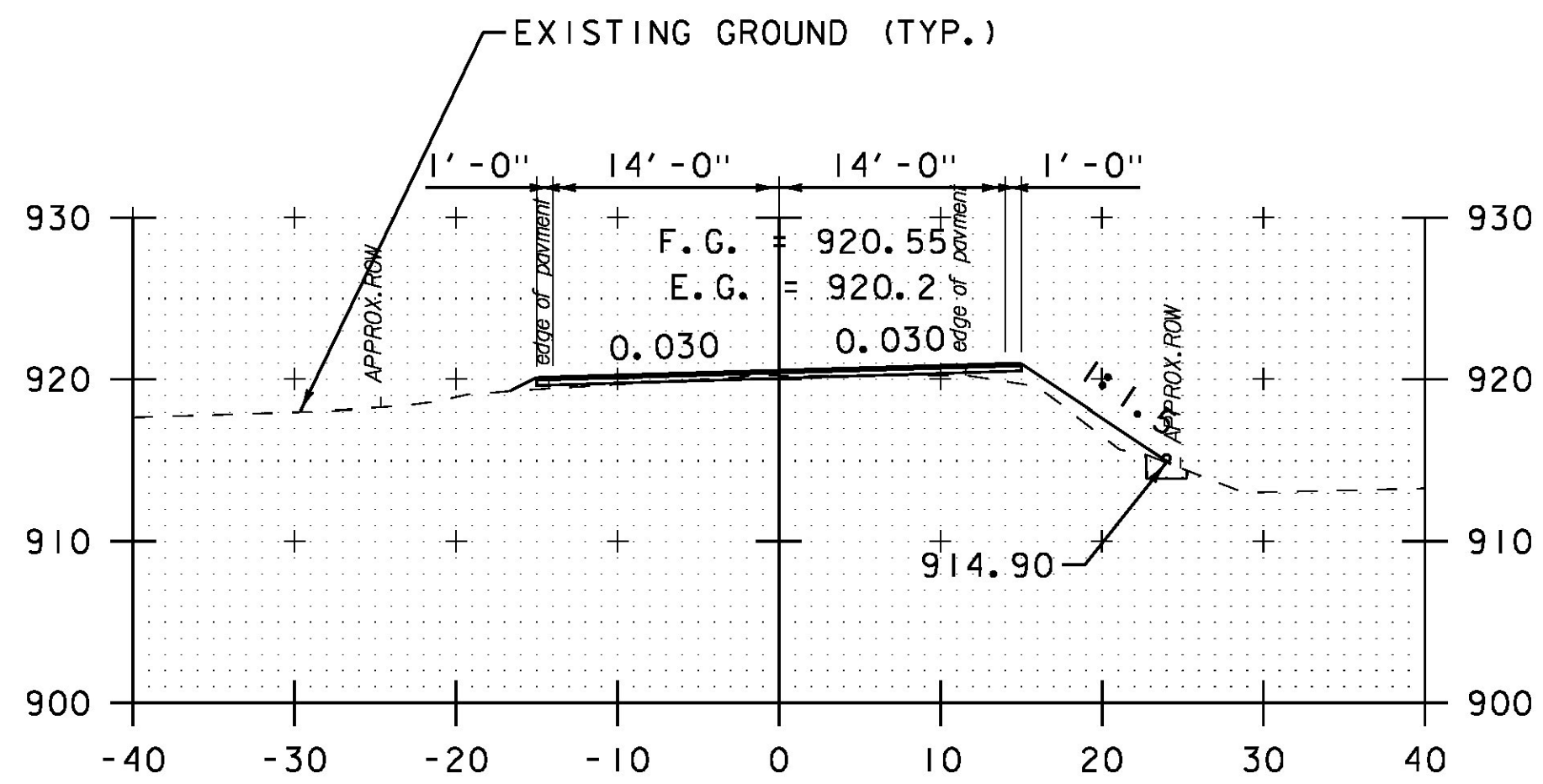
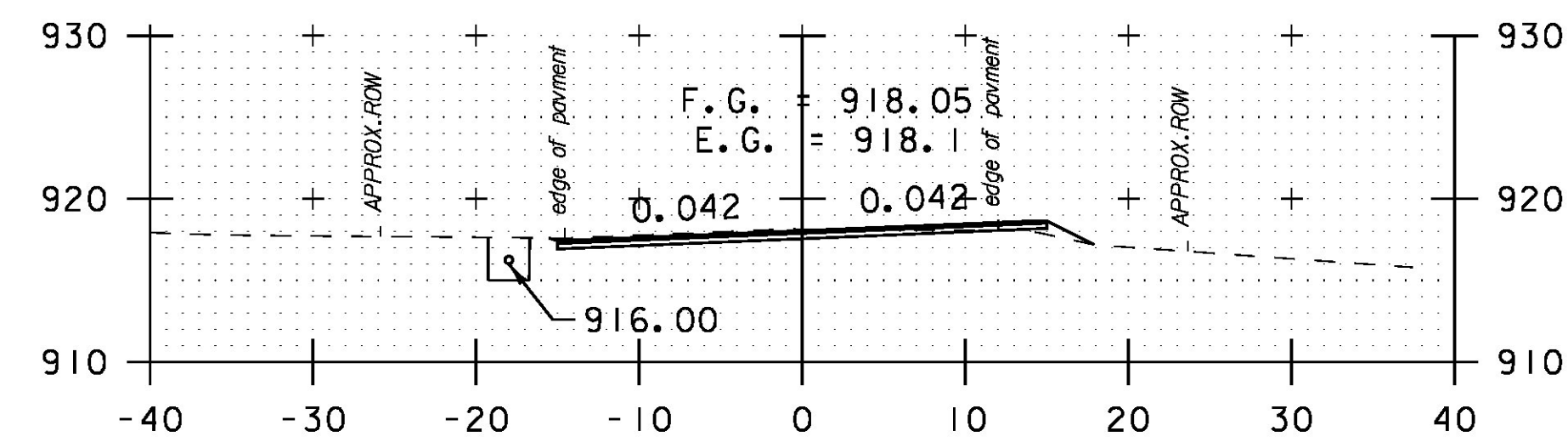


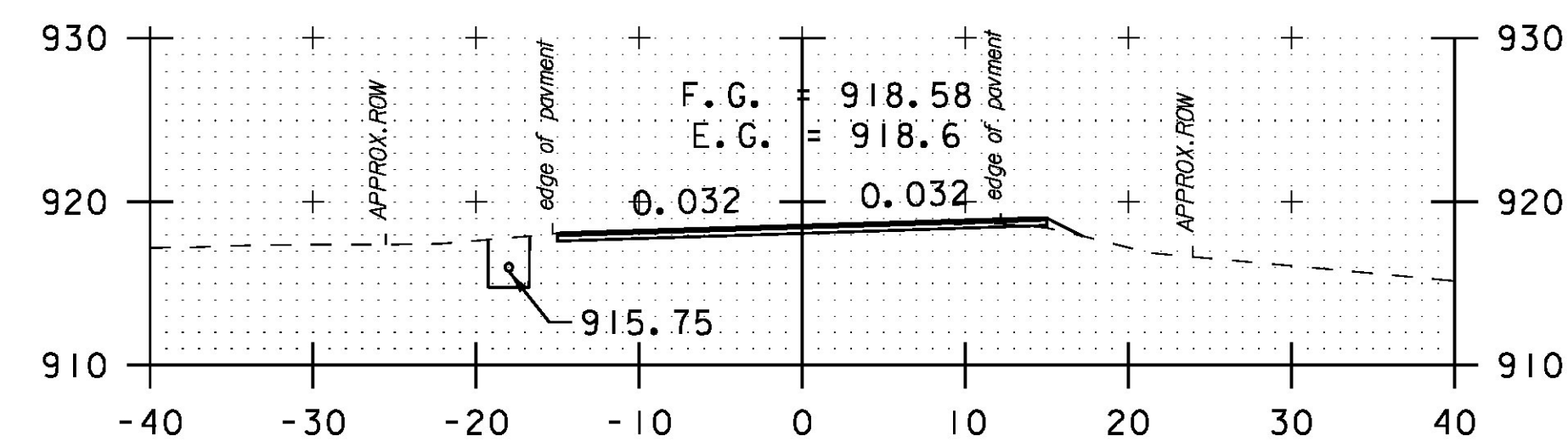
371+00 DRIVE LT



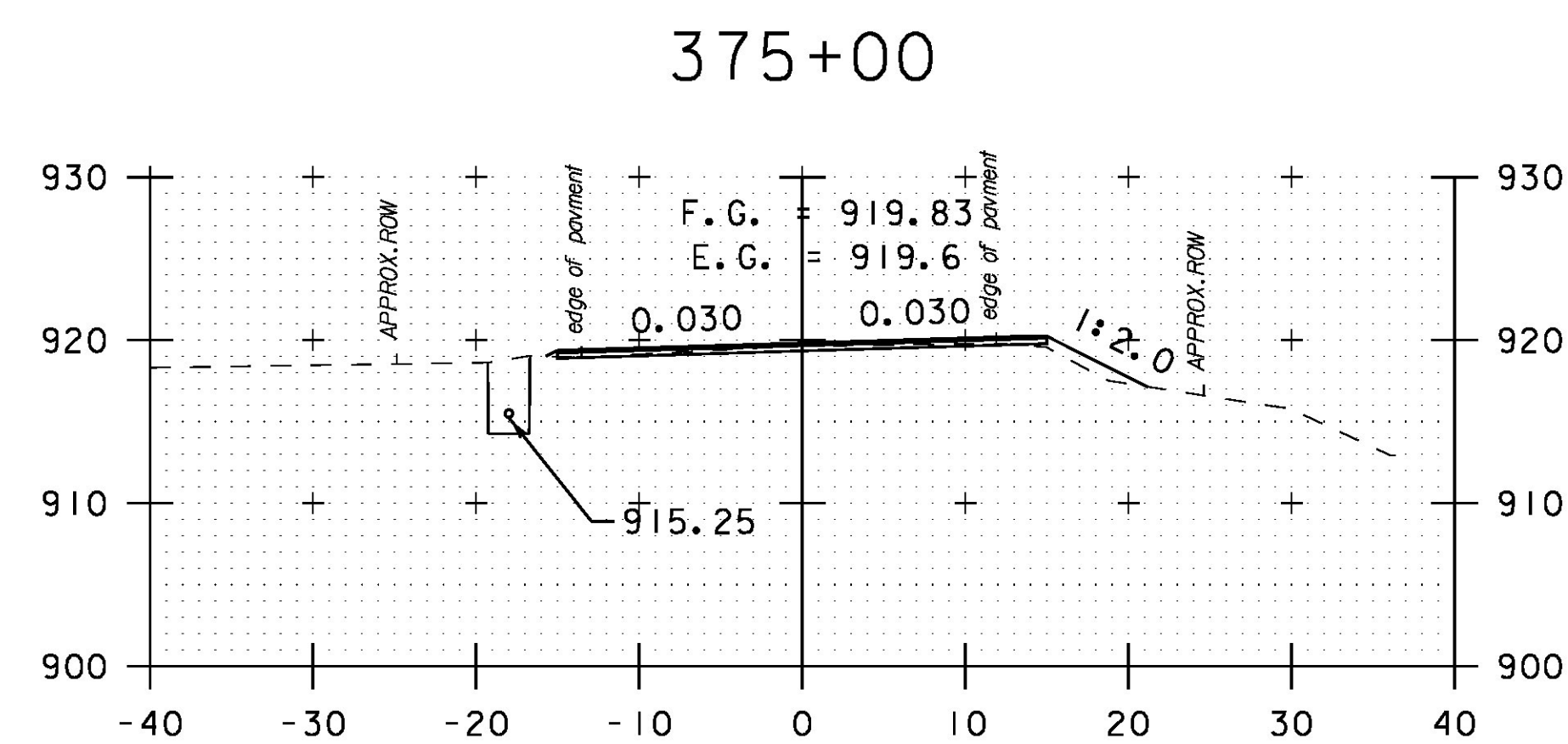
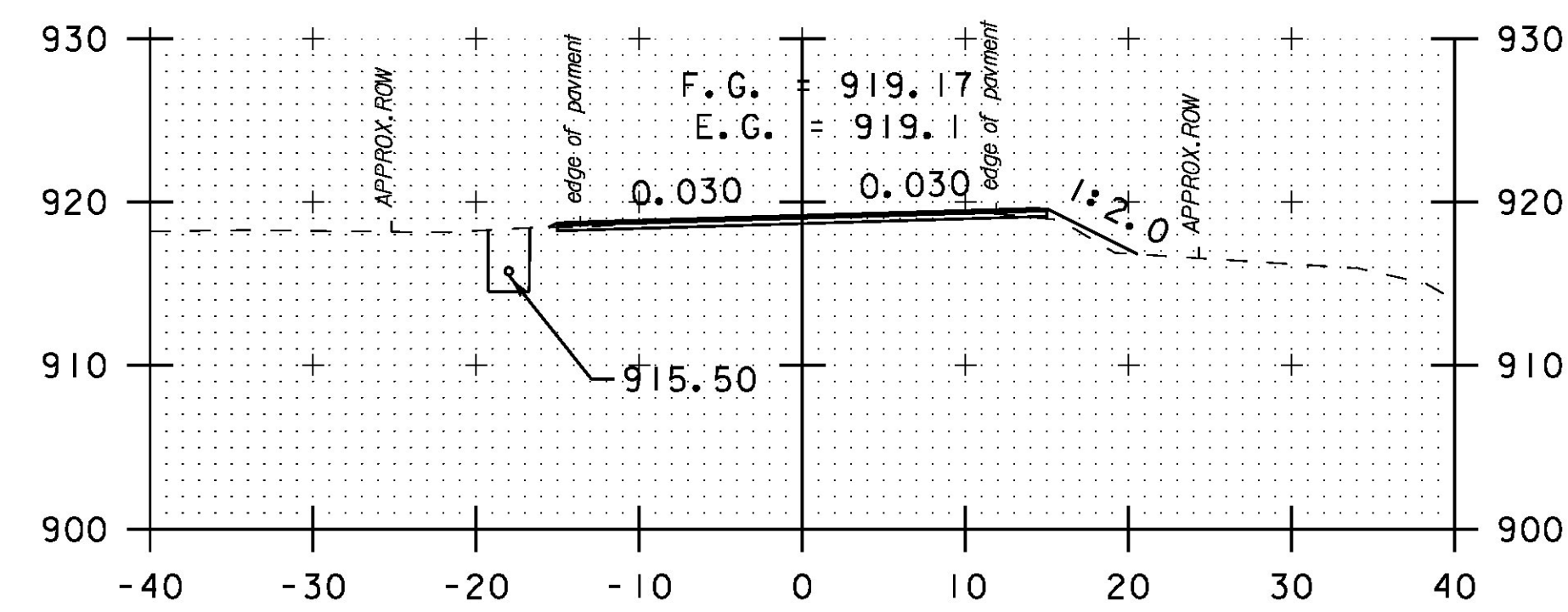
373+00



376+00 DRIVE LT



375+50



374+50



PROJECT NAME:	HANCOCK	PLOT DATE:	3/18/2015
PROJECT NUMBER:	STP 2923 (1)	DRAWN BY:	B. MARTIN
FILE NAME:	z10c252xs.dgn	DESIGNED BY:	B. MARTIN
PROJECT LEADER:	C. LATHROP	CHECKED BY:	C. LATHROP
CROSS SECTION SHEET	74	SHEET	201 OF 207