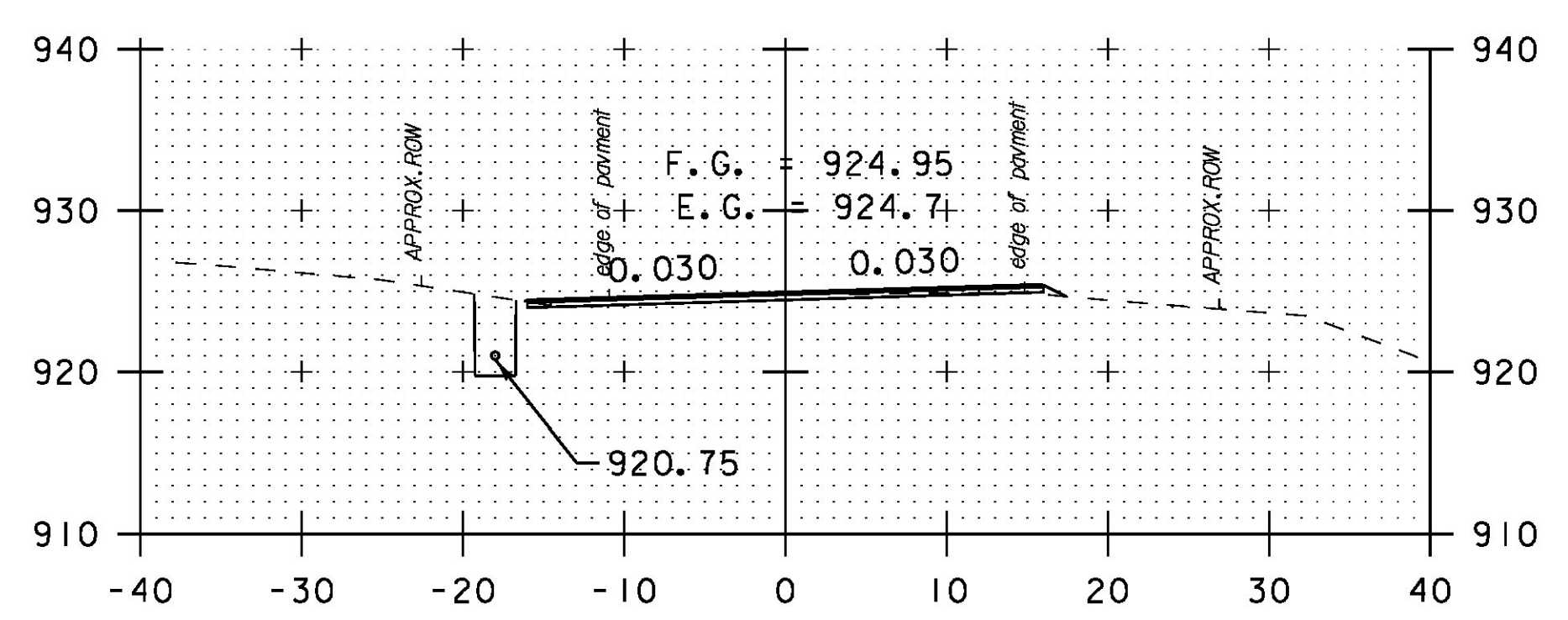
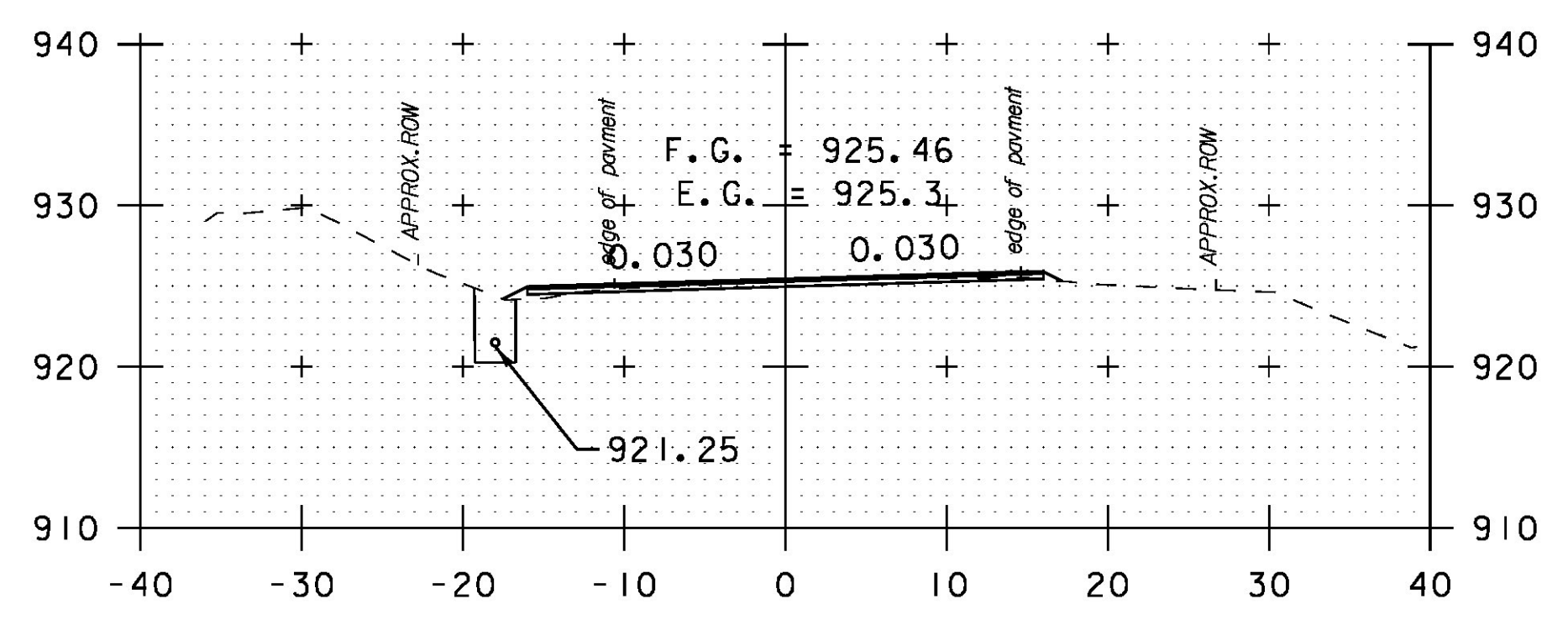


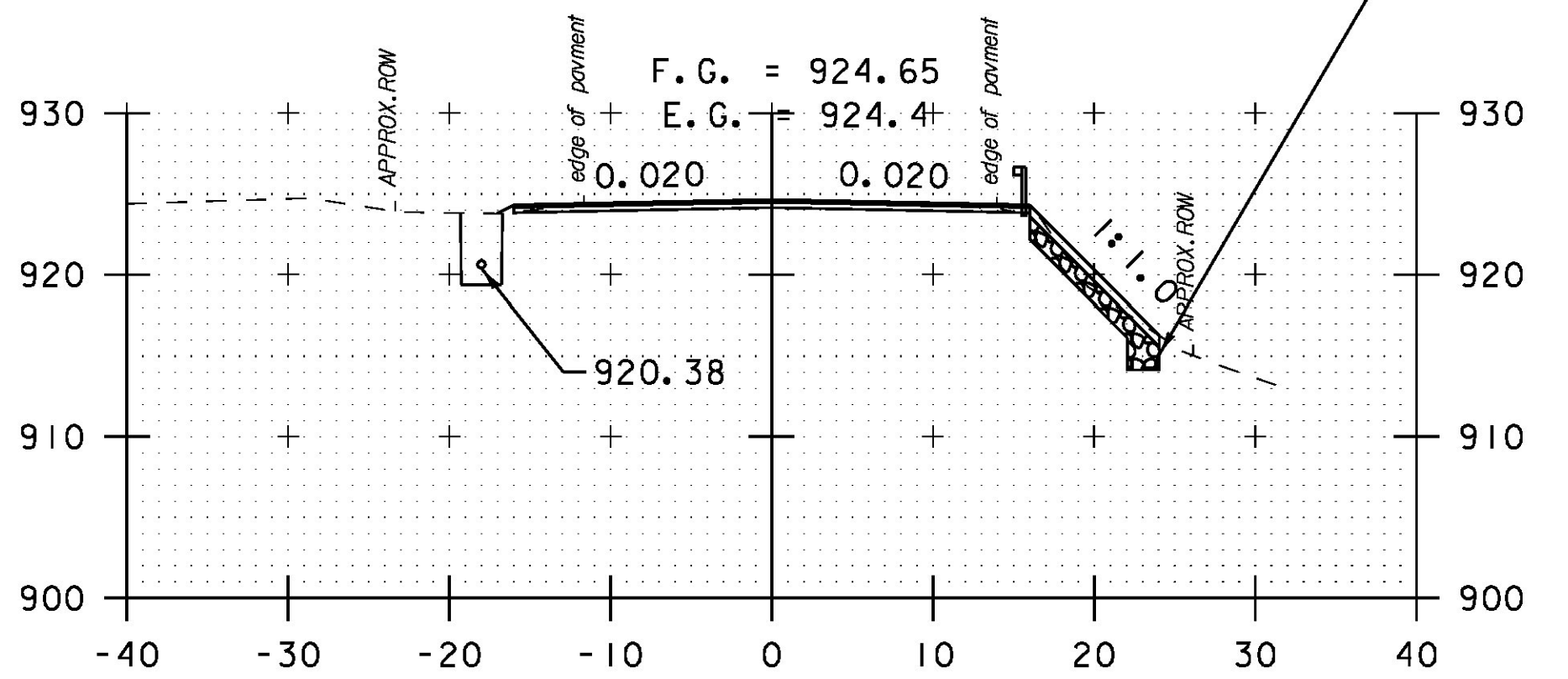
368+00
DRIVE LT



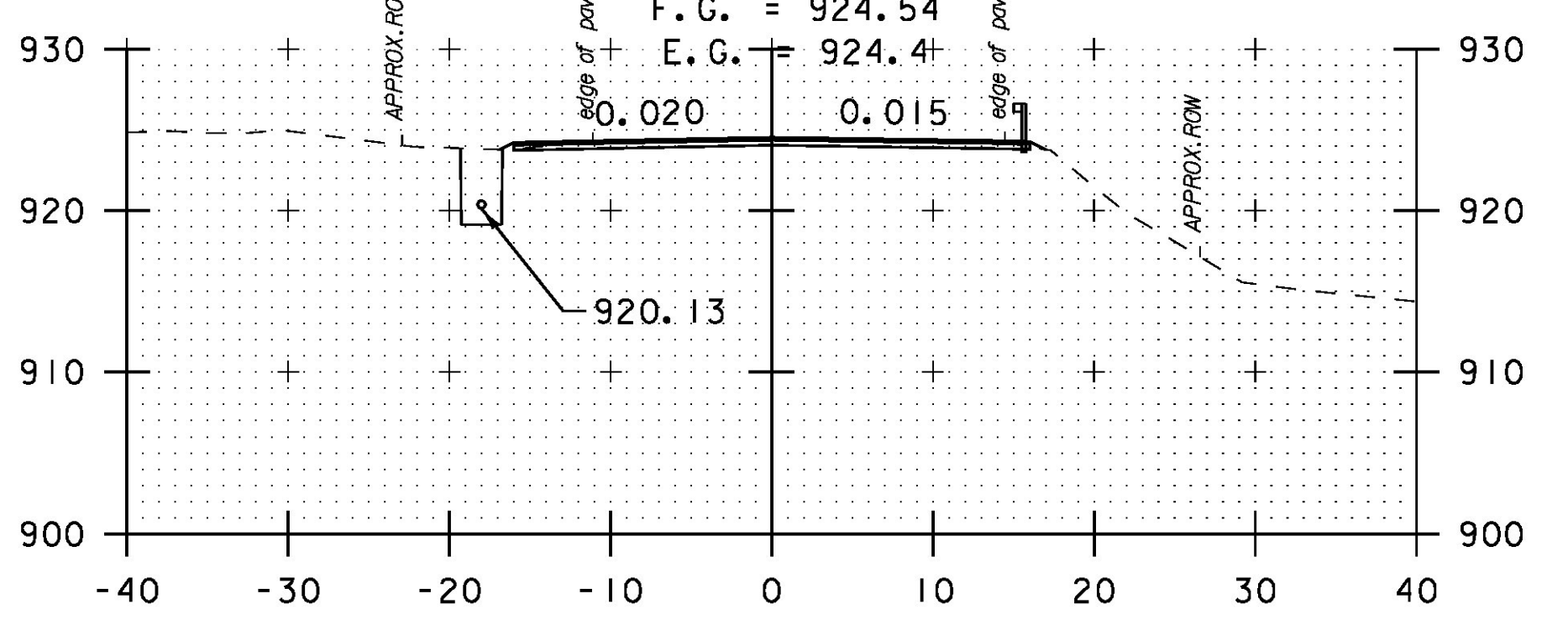
367+50



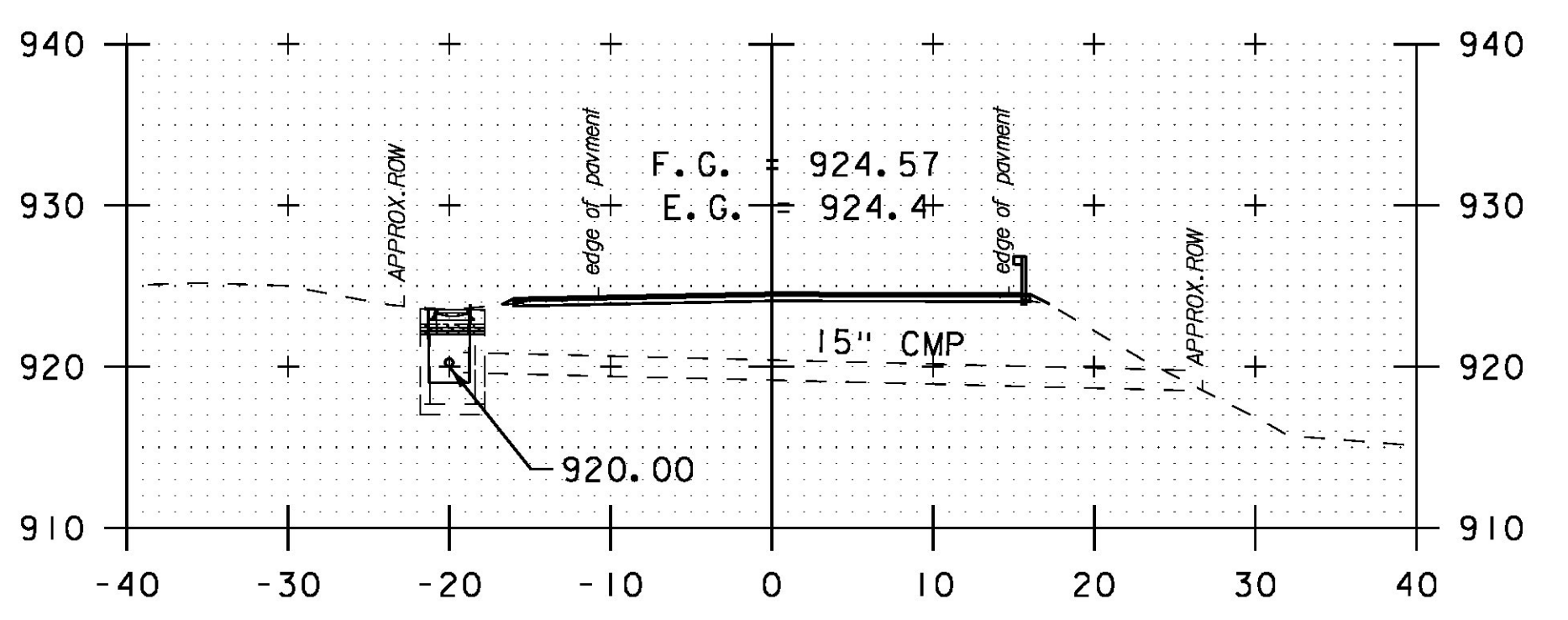
367+00



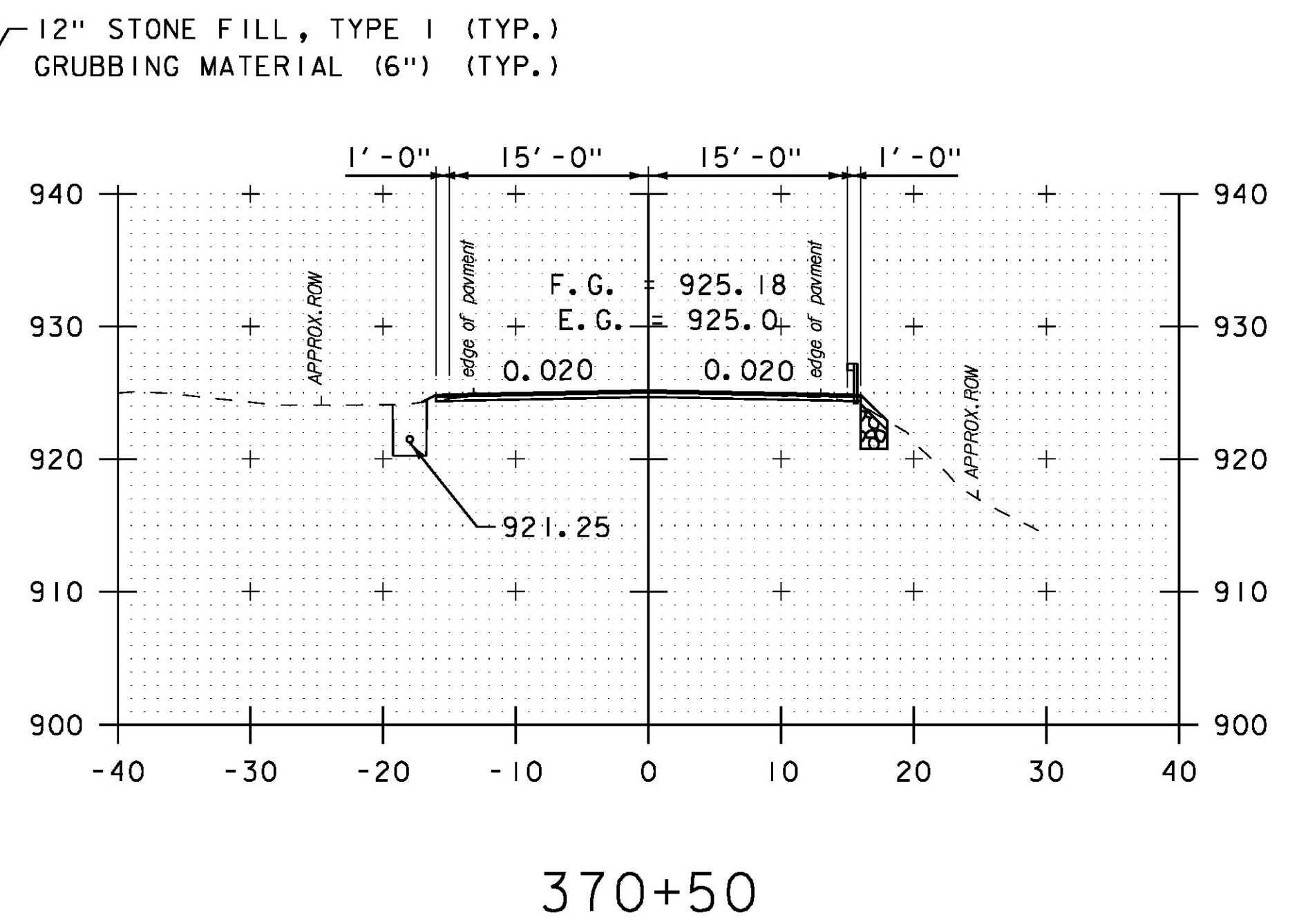
369+00



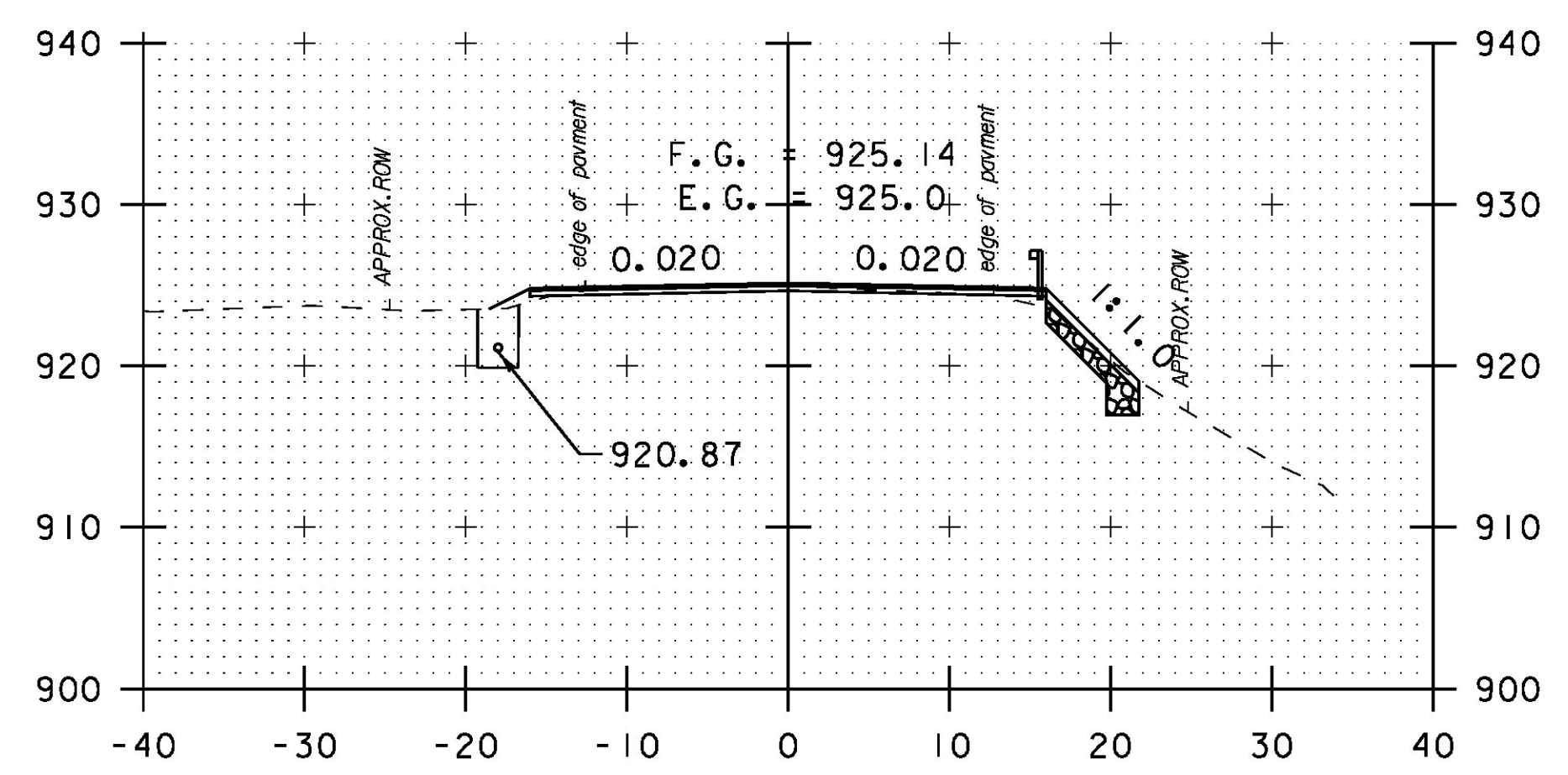
368+50



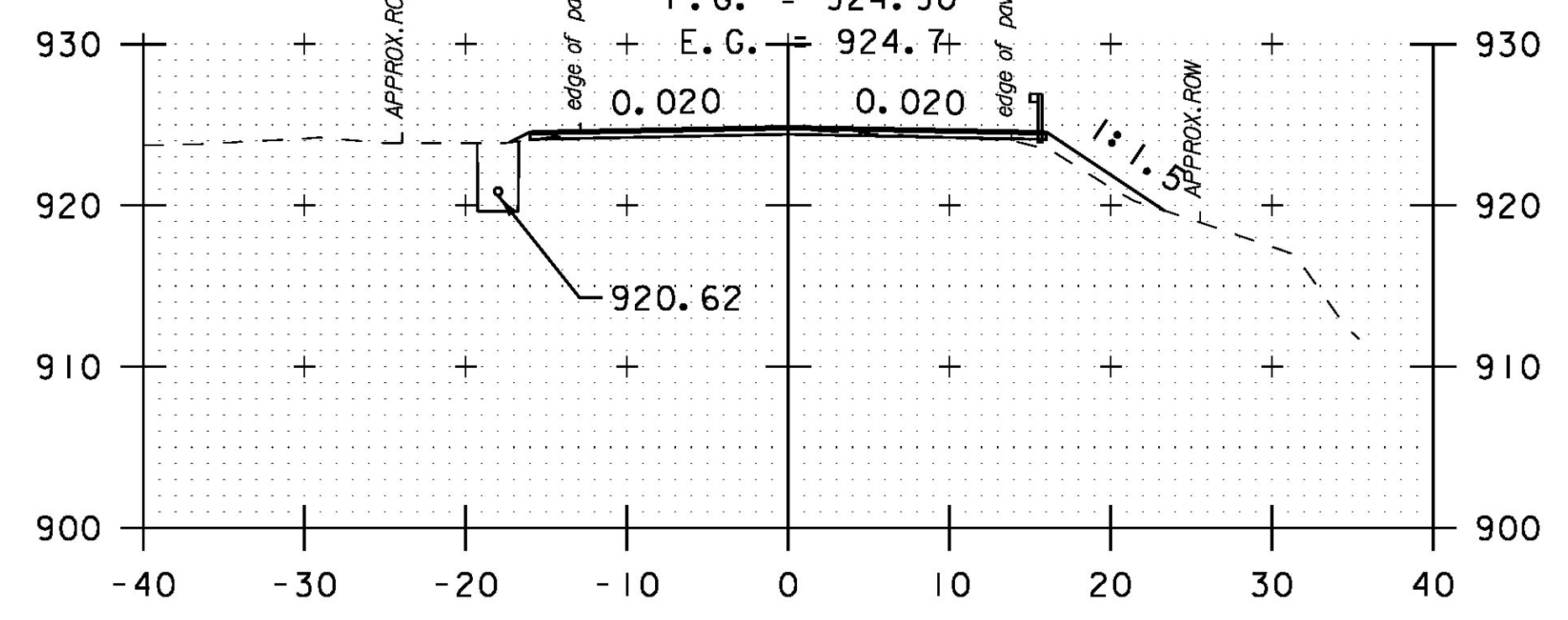
368+25



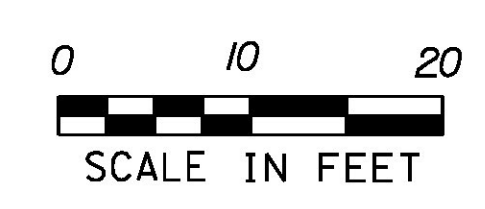
370+50



370+00



369+50



PROJECT NAME:	HANCOCK	PLOT DATE:	3/18/2015
PROJECT NUMBER:	STP 2923 (1)	DRAWN BY:	B. MARTIN
FILE NAME:	z10c252xs.dgn	CHECKED BY:	C. LATHROP
PROJECT LEADER:	C. LATHROP	CROSS SECTION SHEET	73
DESIGNED BY:	B. MARTIN	SHEET	200 OF 207