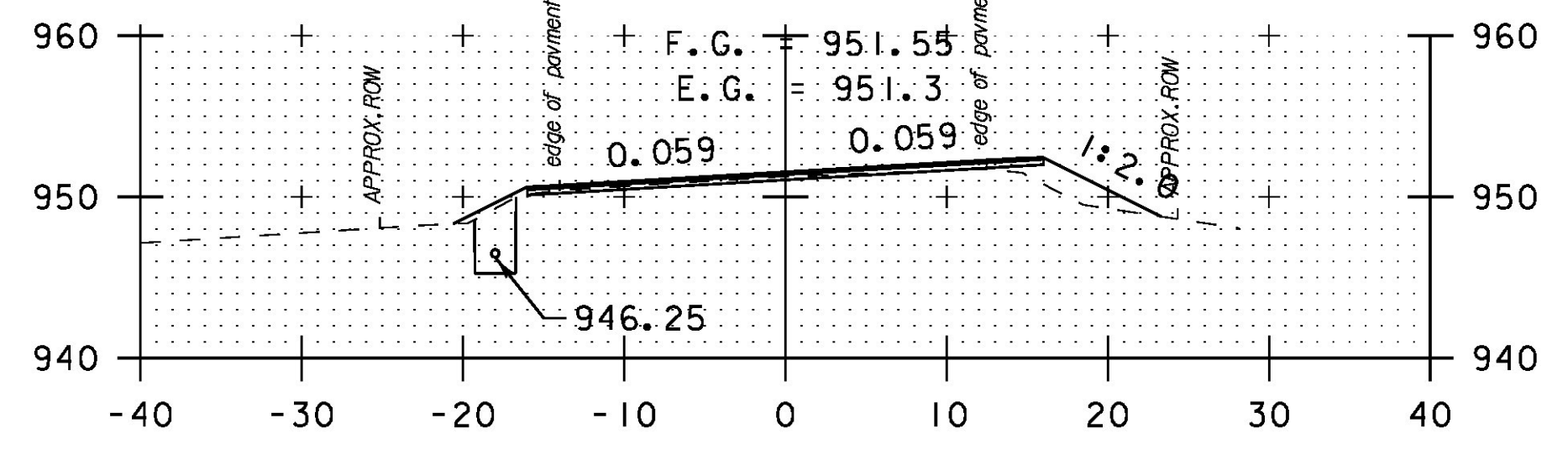
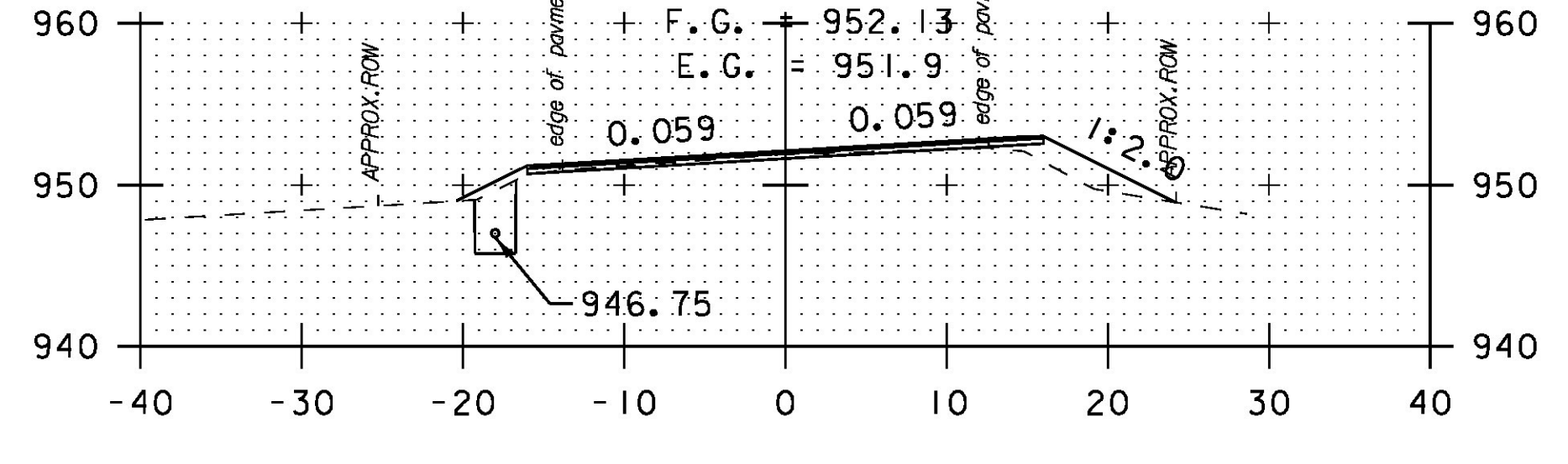


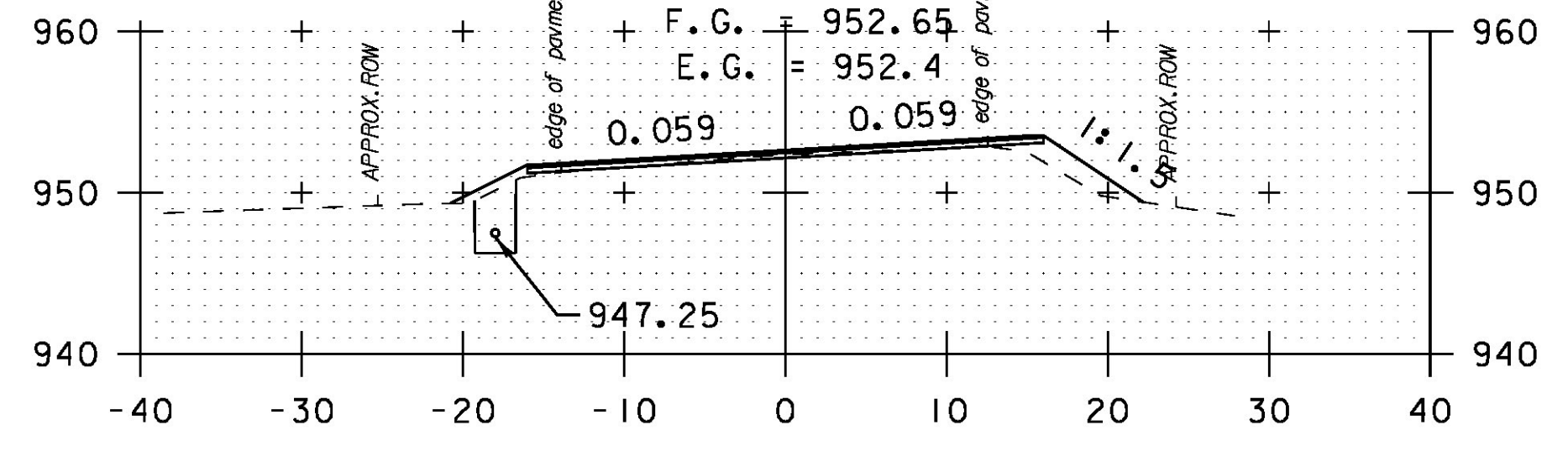
347+00



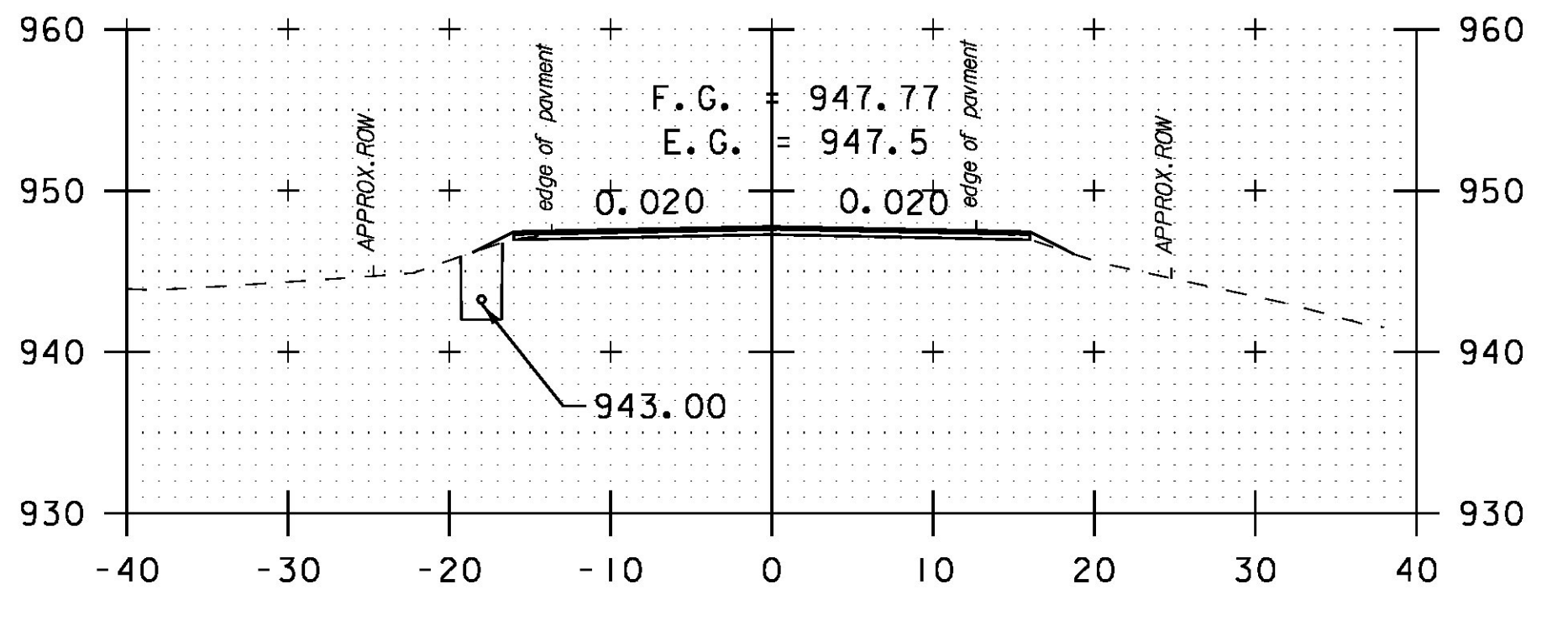
346+50



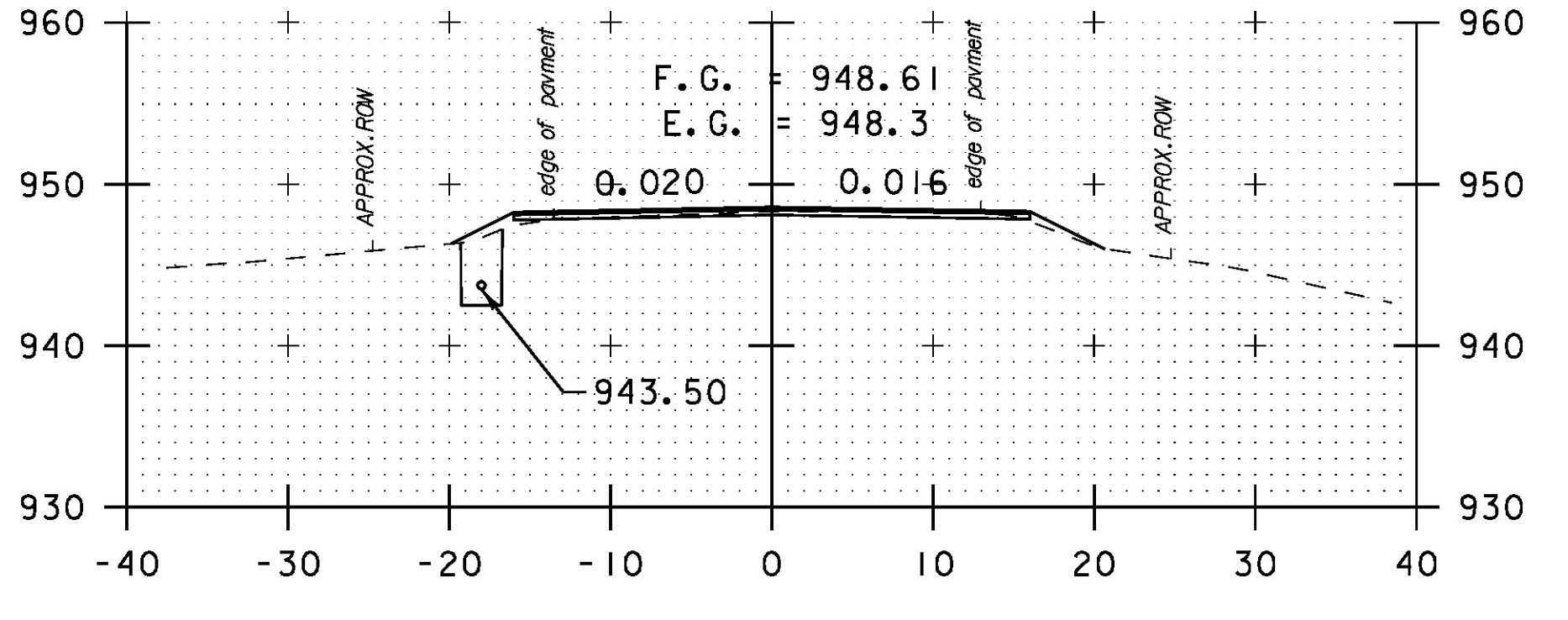
346+00



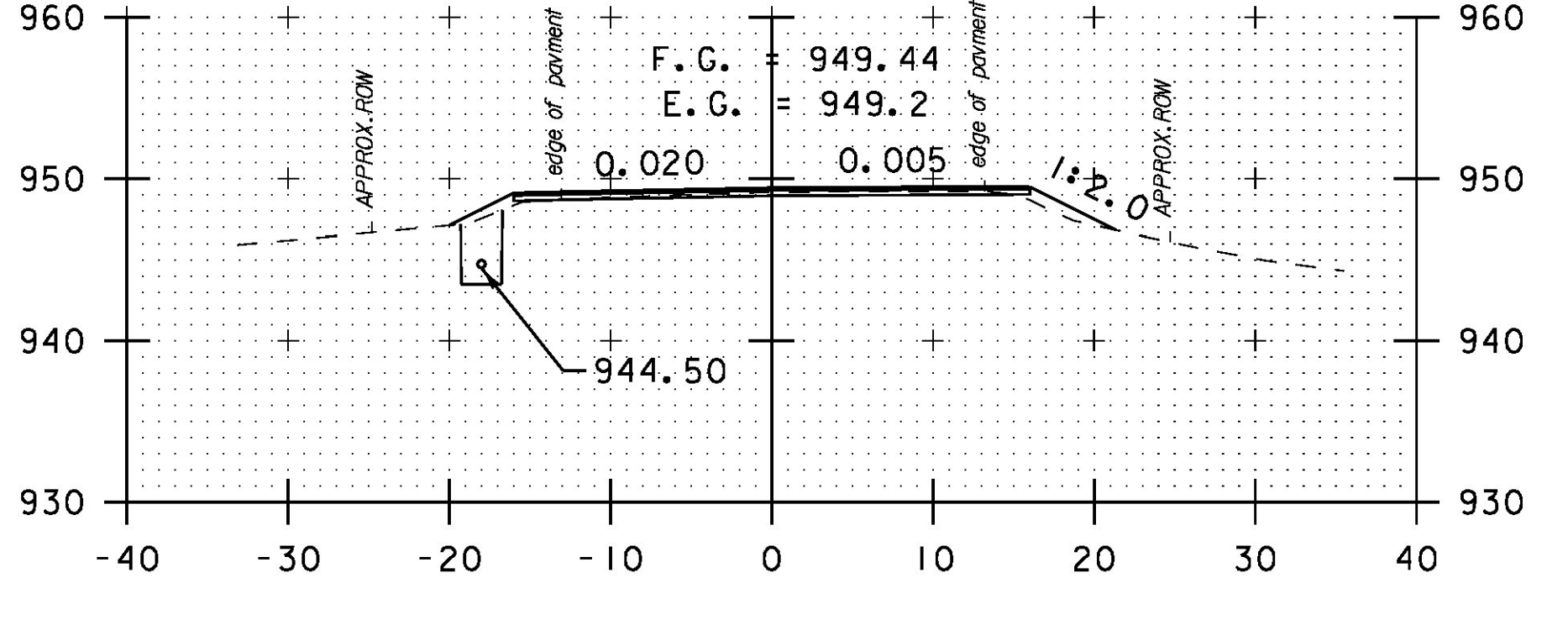
345+50



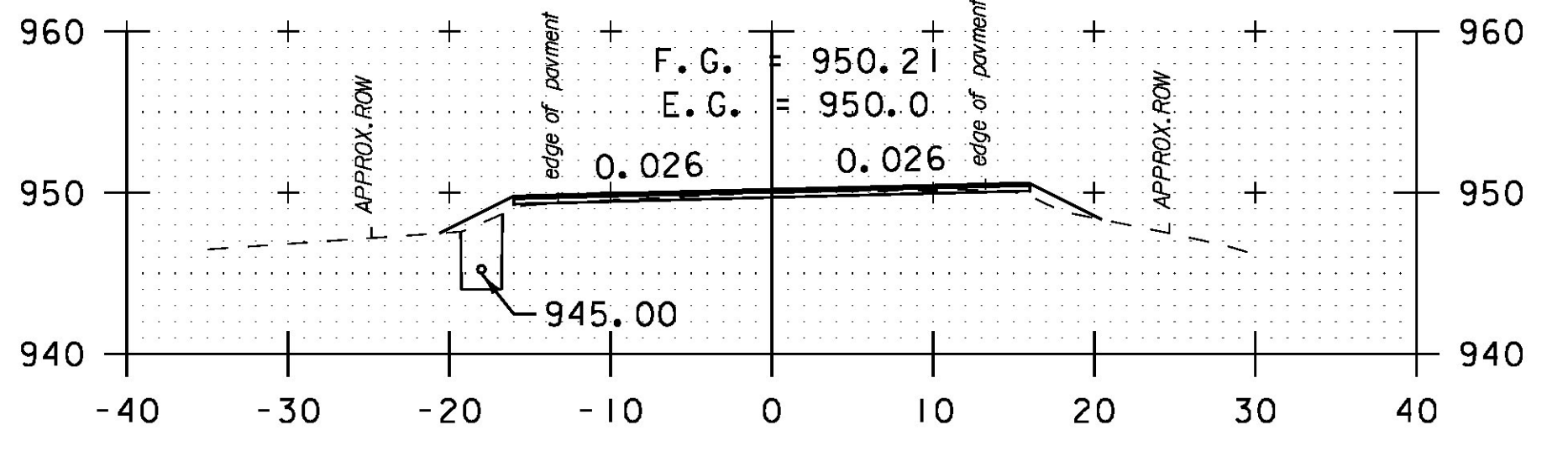
349+00



348+50



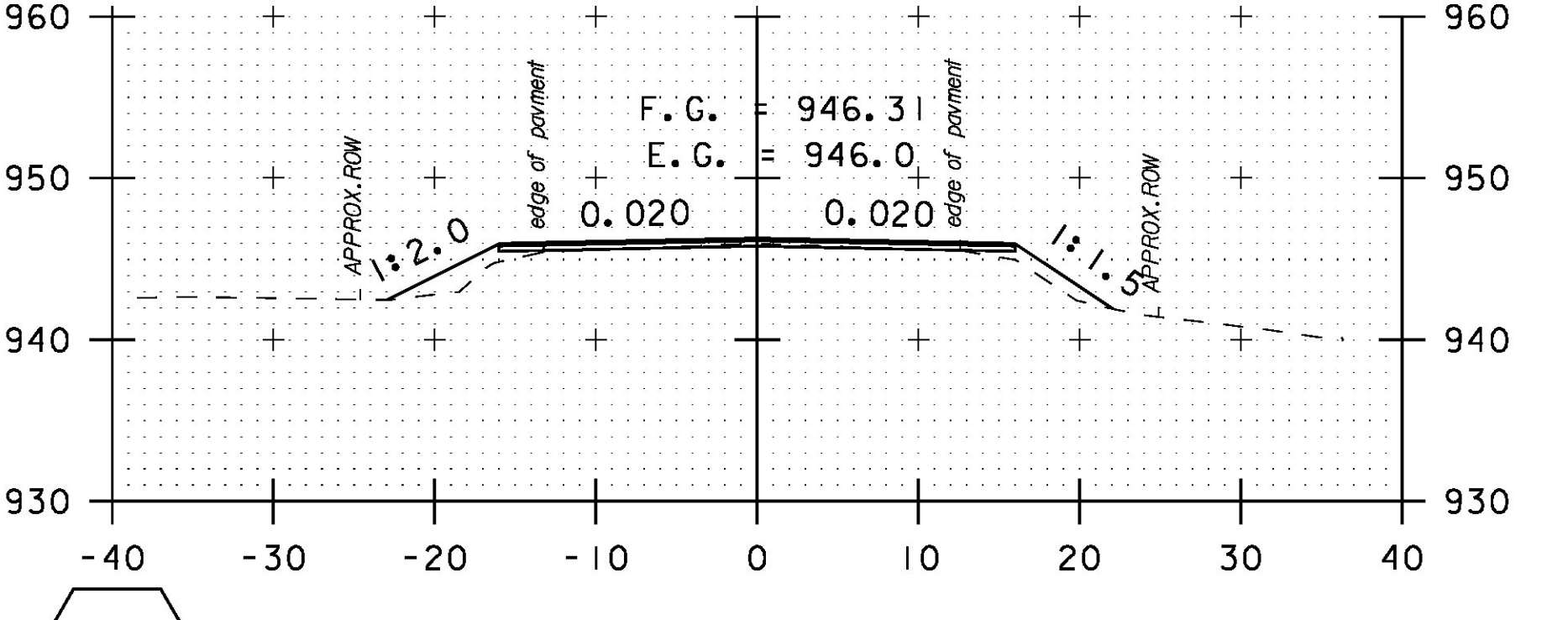
348+00



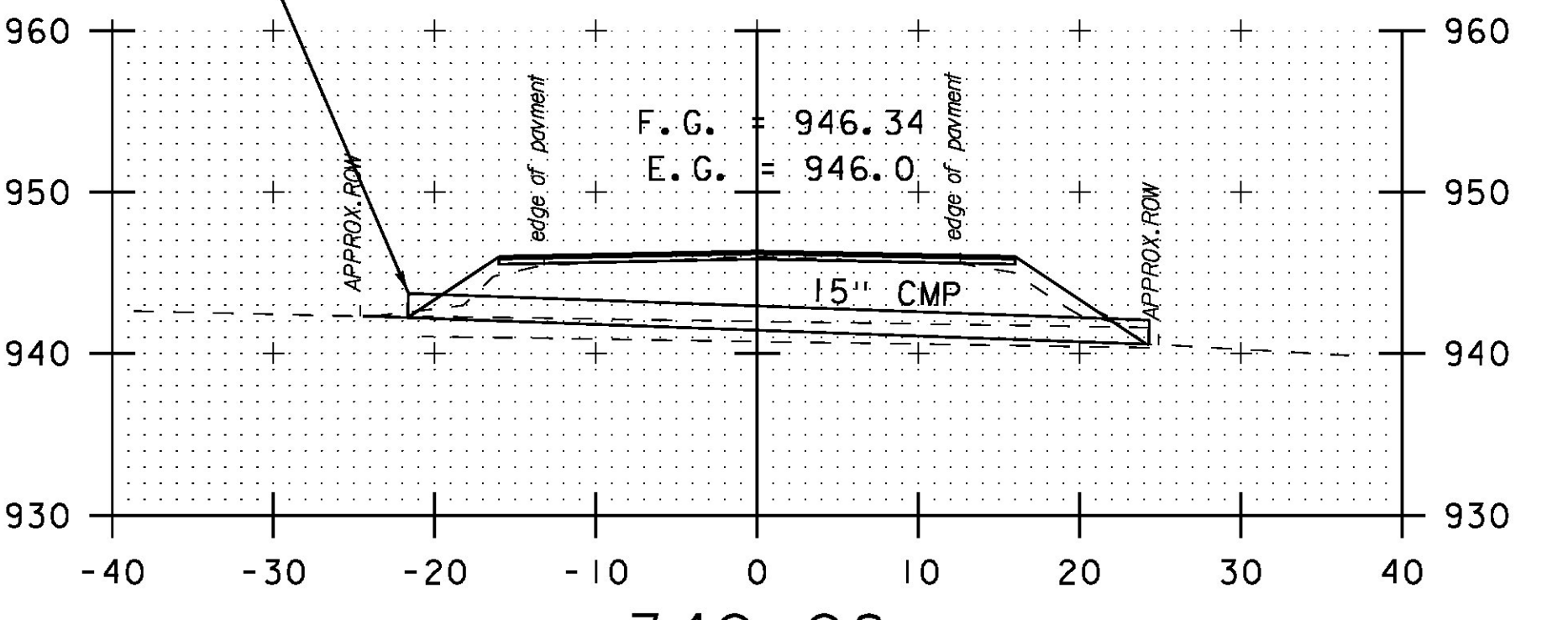
347+50

23

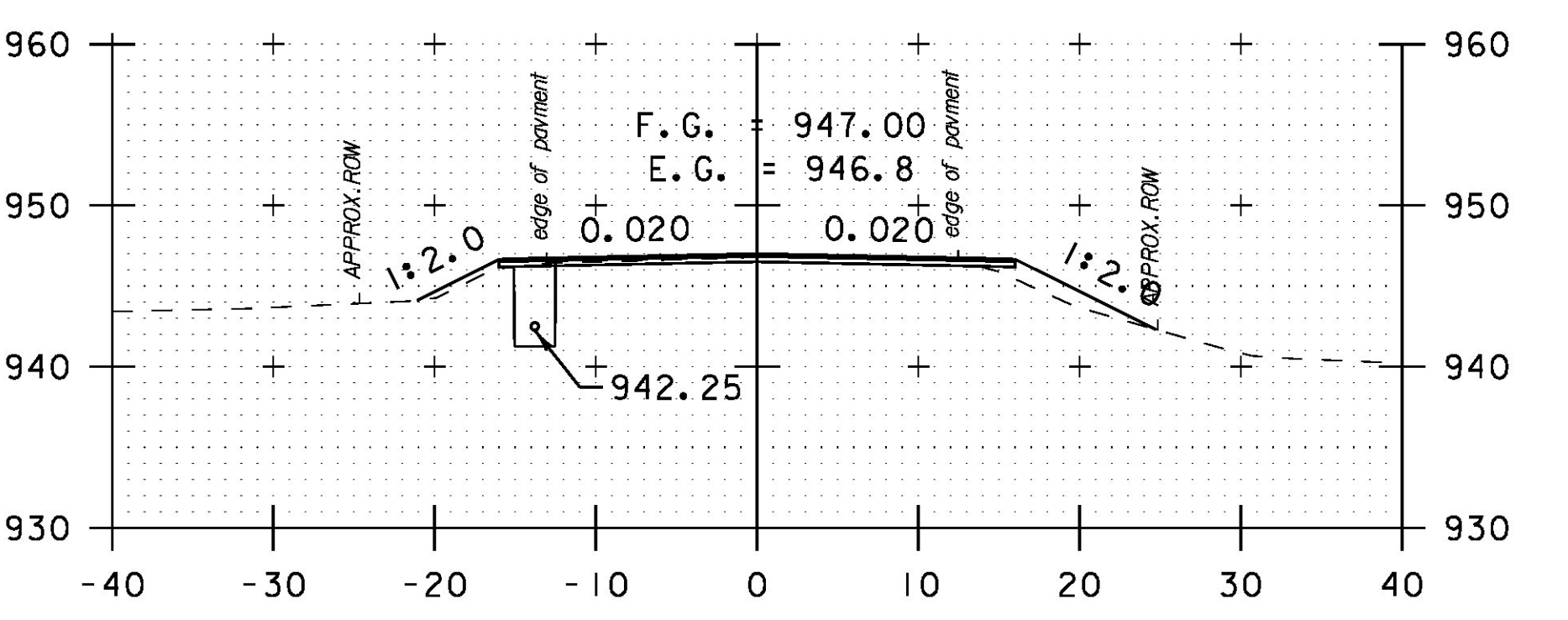
STA. 349+97.87 LT 21.65' TO  
STA. 349+98.07 RT 24.33'  
ASKEW ANGLE = 89.7565° RT  
REMOVE EXISTING PIPE  
INSTALL 18" CPEP (46'-0")  
INV. IN = 942.22'  
INV. OUT = 940.56'



350+00



349+98  
SKEWED



349+50



|                     |               |
|---------------------|---------------|
| PROJECT NAME:       | HANCOCK       |
| PROJECT NUMBER:     | STP 2923 (1)  |
| FILE NAME:          | z10c252xs.dgn |
| PROJECT LEADER:     | C. LATHROP    |
| DESIGNED BY:        | B. MARTIN     |
| CHECKED BY:         | C. LATHROP    |
| CROSS SECTION SHEET | 68            |
| PLOT DATE:          | 3/18/2015     |
| DRAWN BY:           | B. MARTIN     |
| CHECKED BY:         | C. LATHROP    |
| SHEET               | 195 OF 207    |