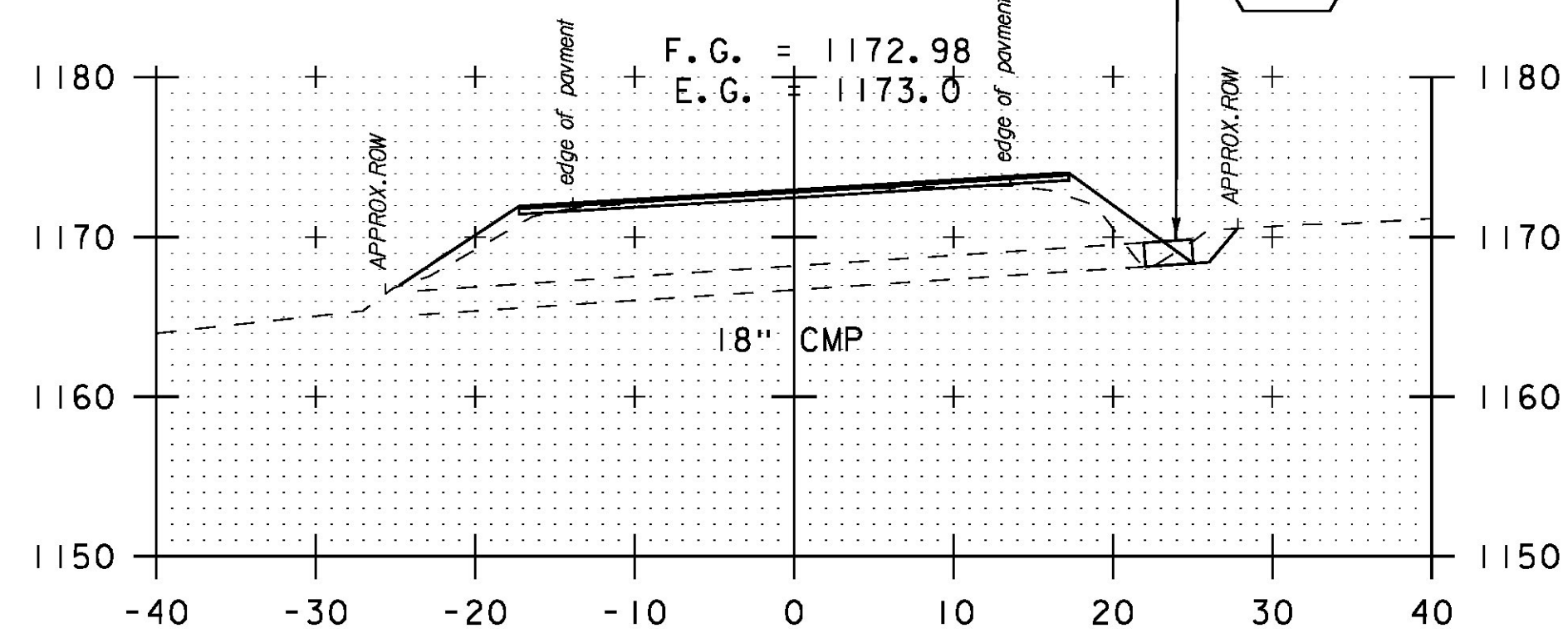
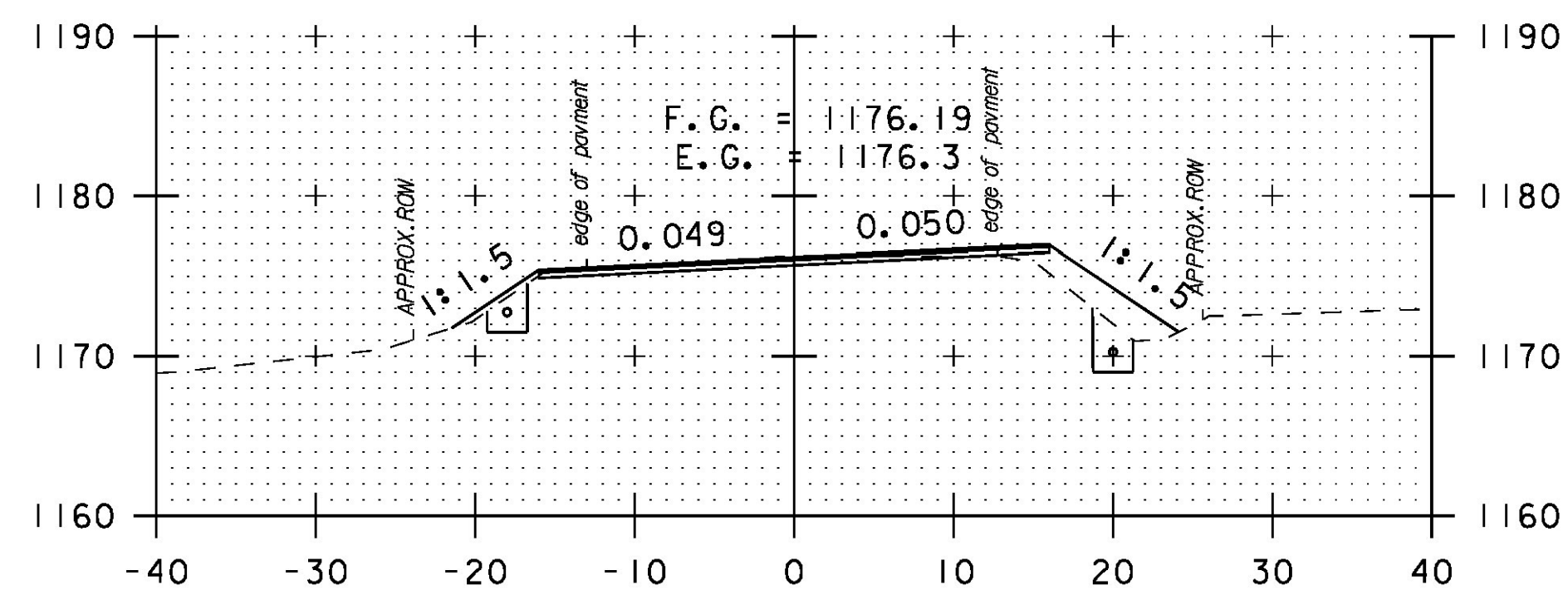


218+50  
DRIVE RT

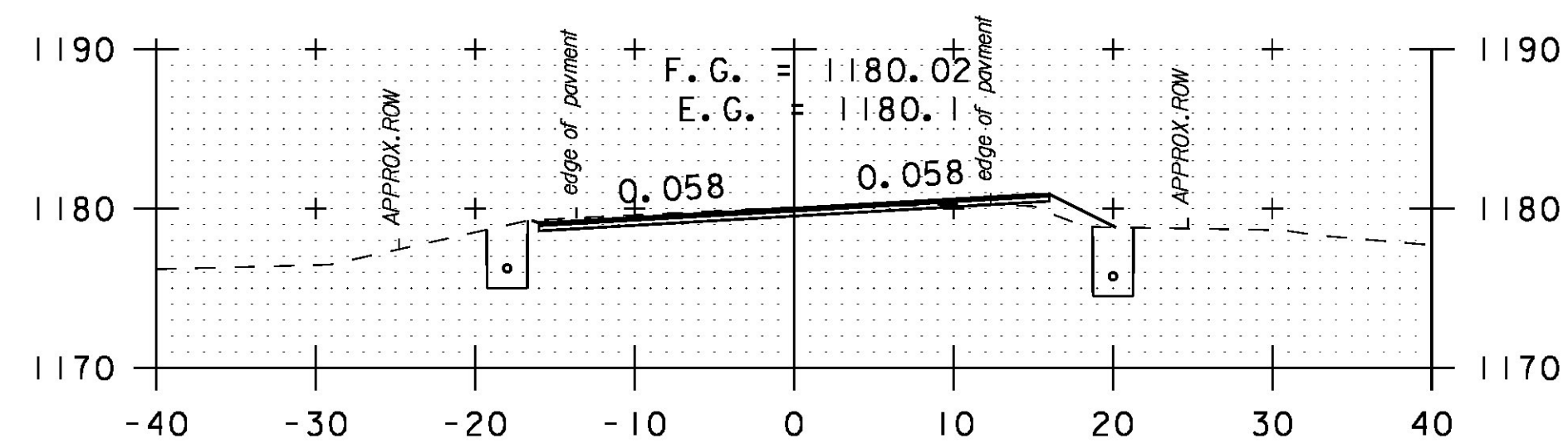
13



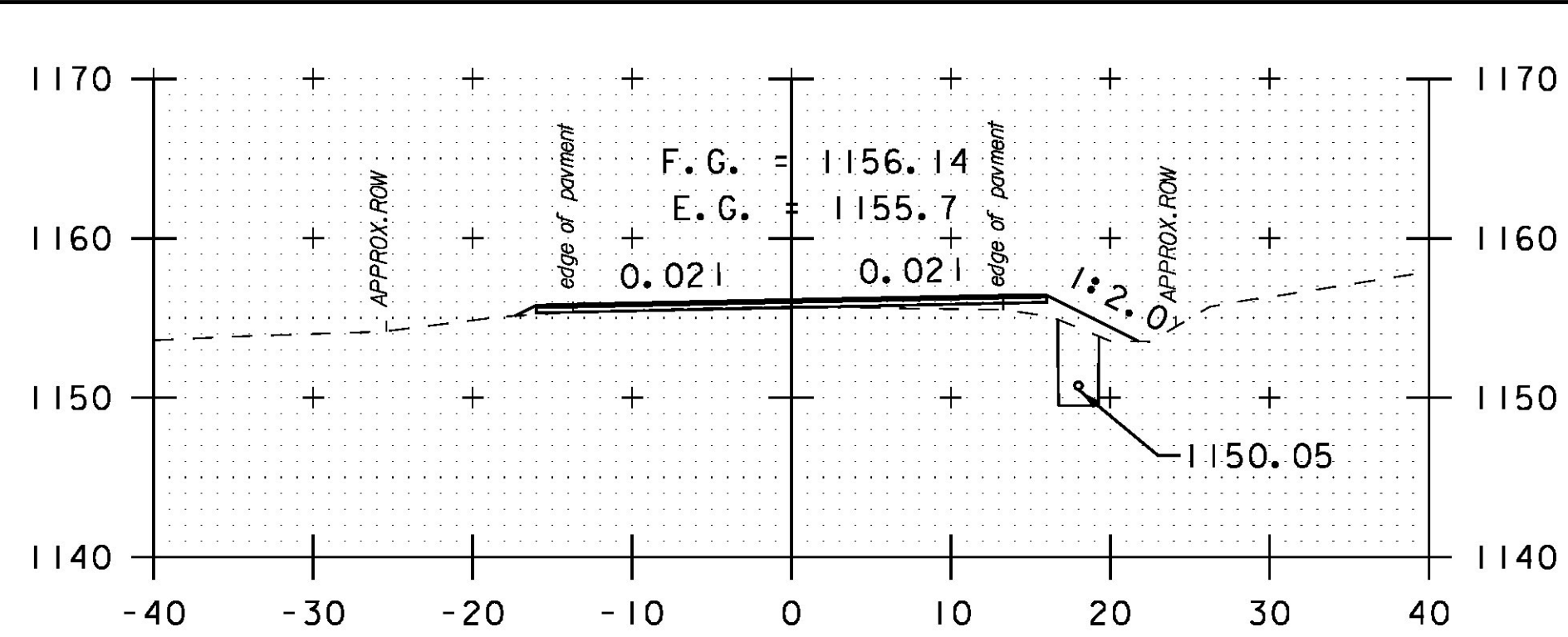
218+42  
SKEWED



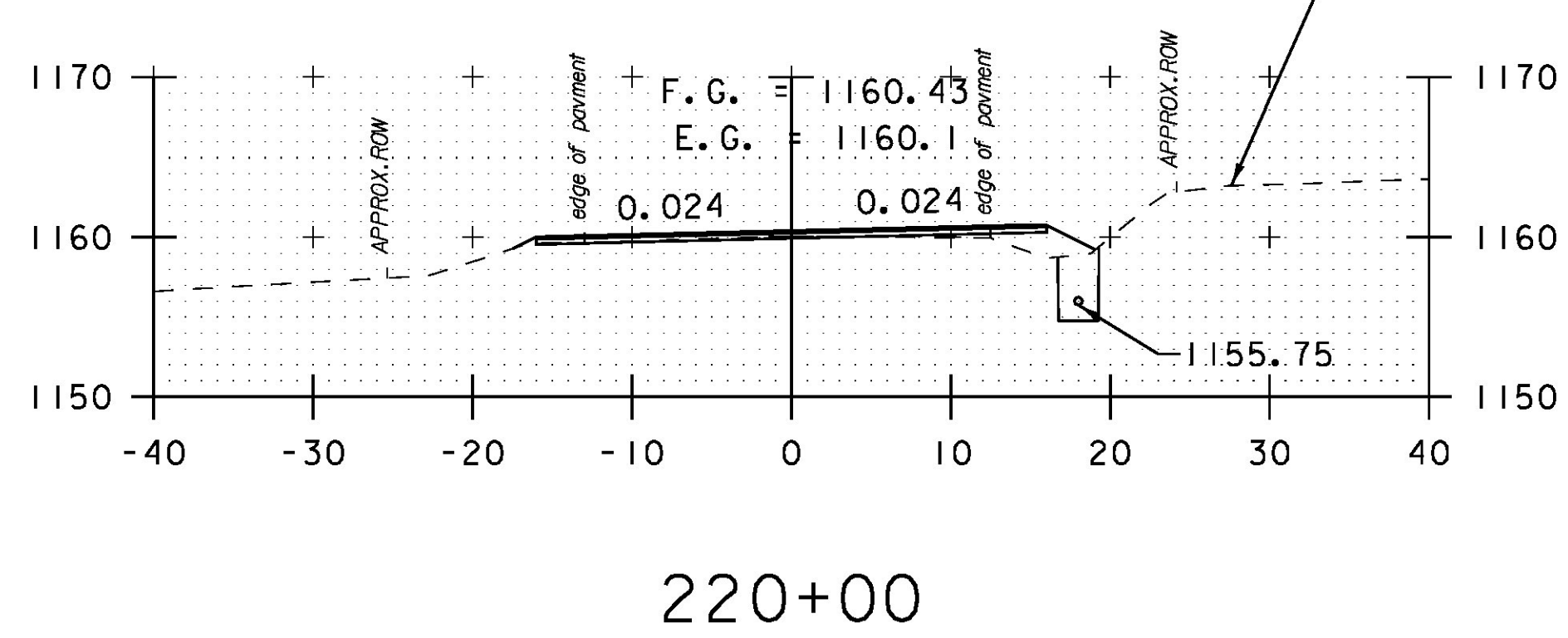
218+00



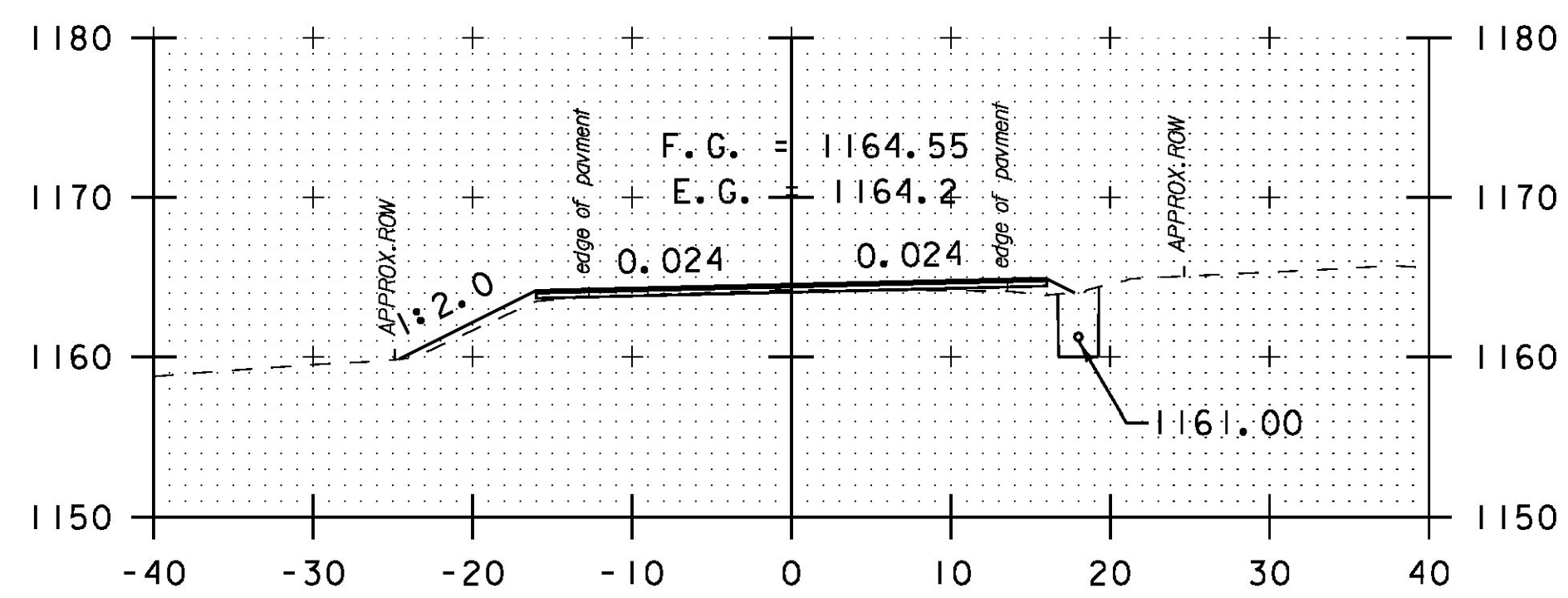
217+50



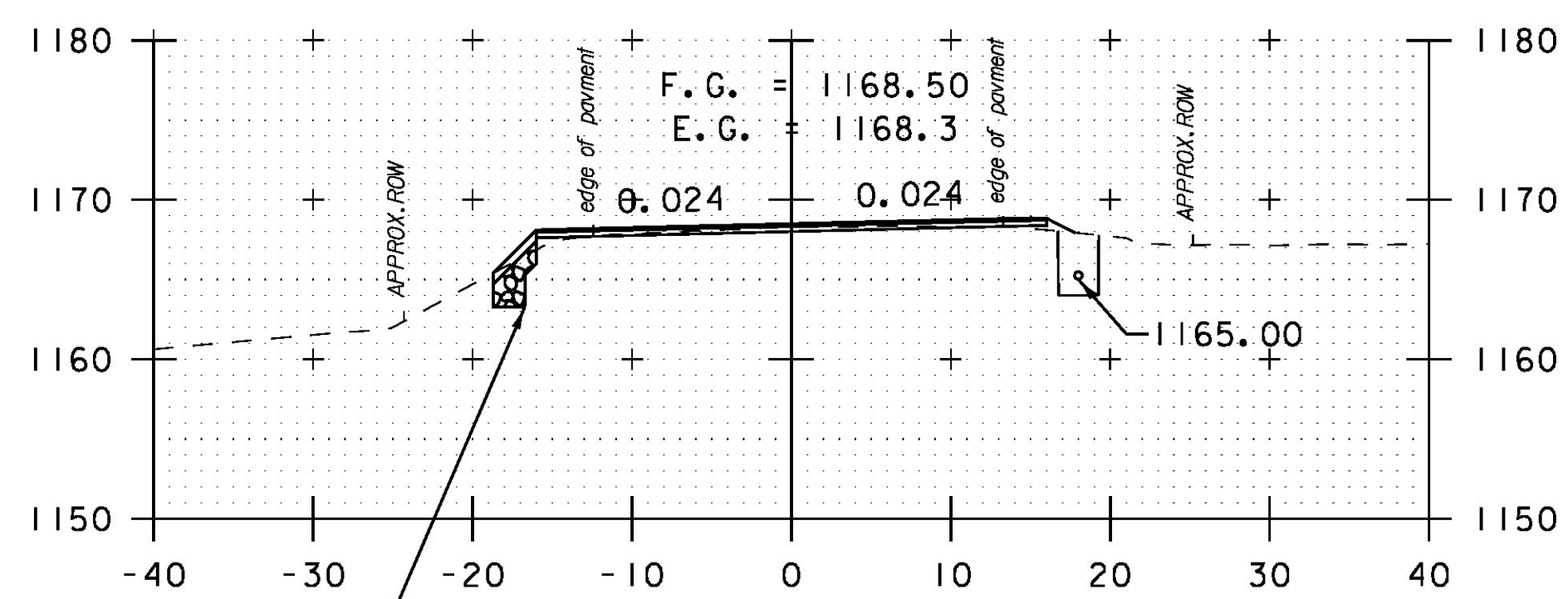
220+50  
DRIVE LT



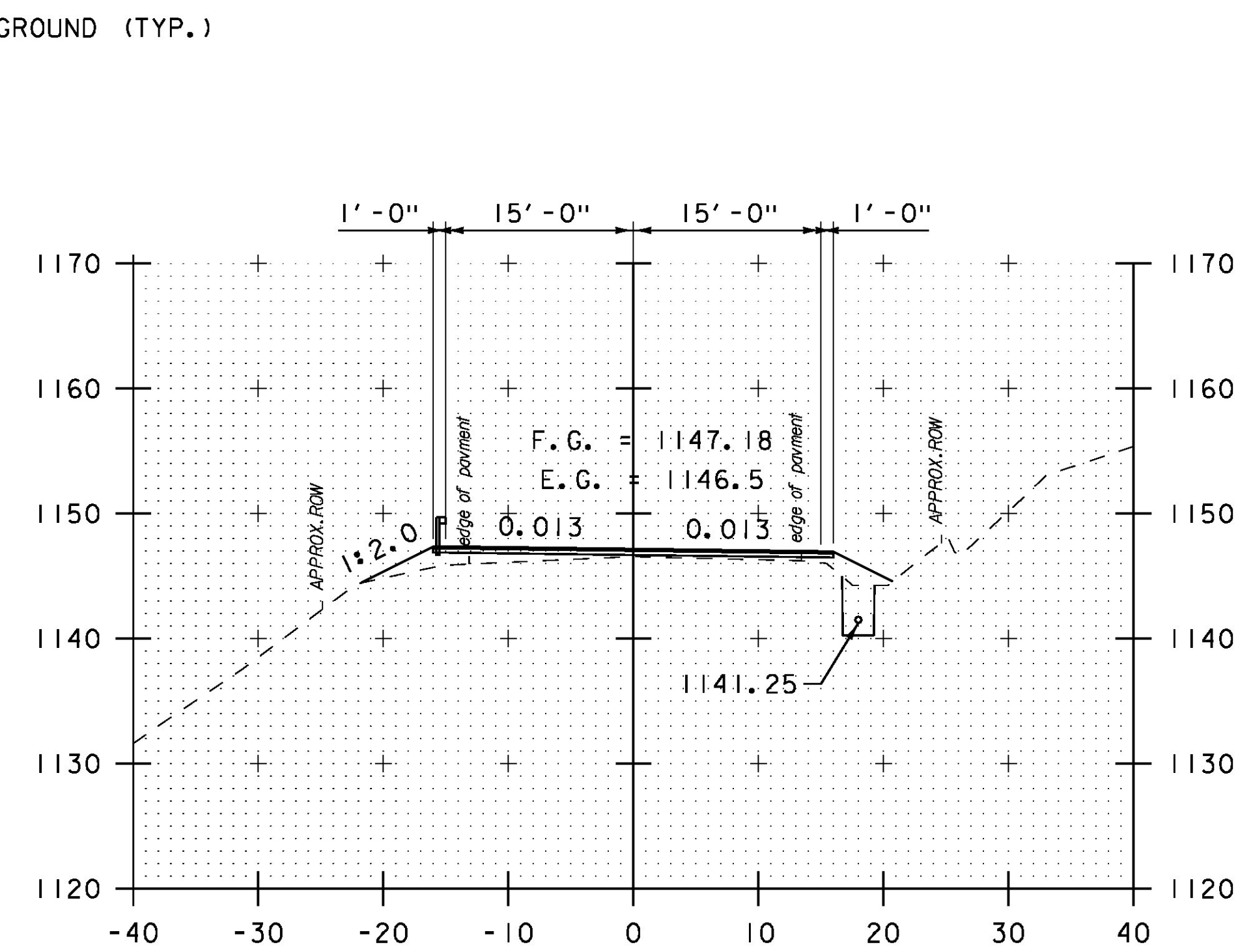
220+00



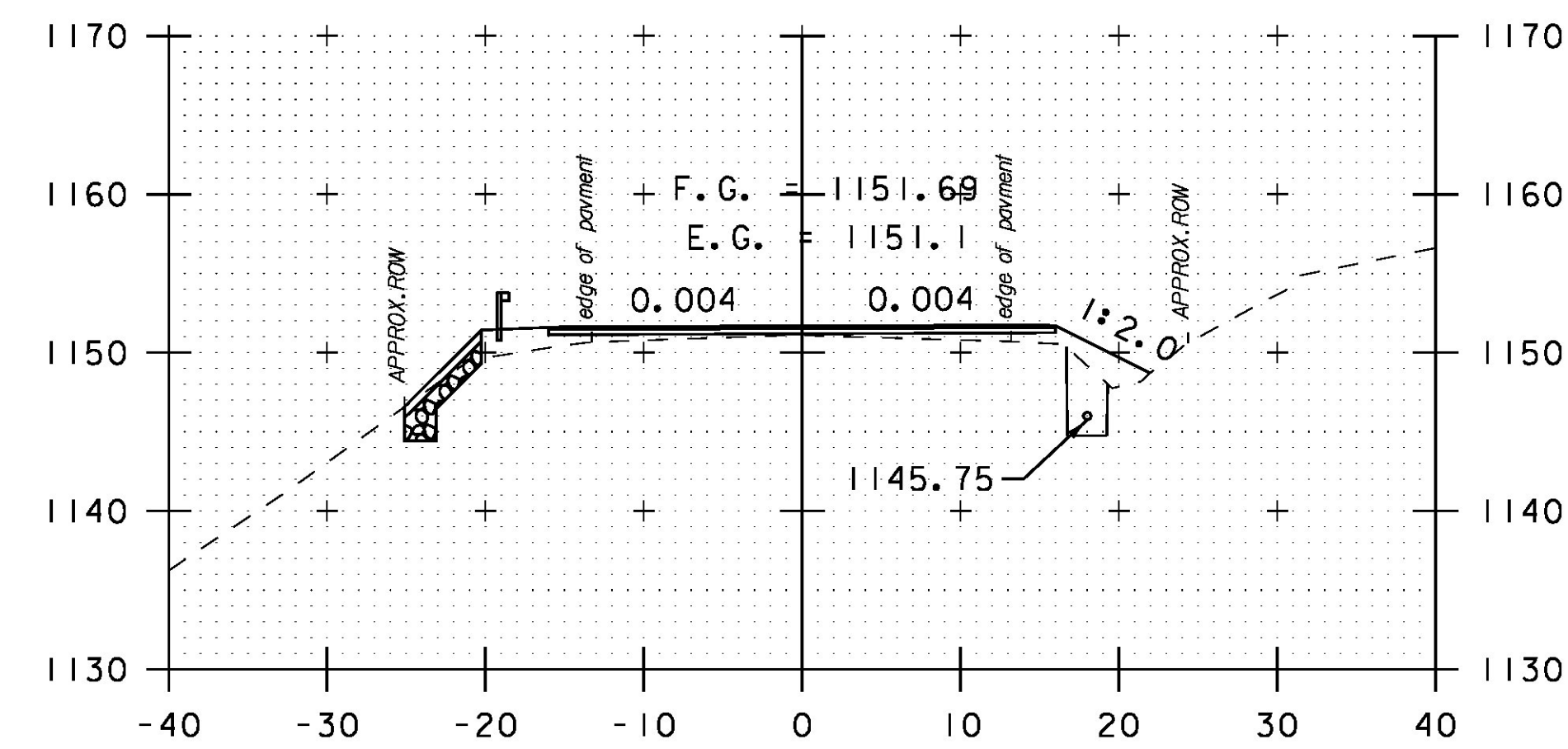
219+50



219+00



221+50

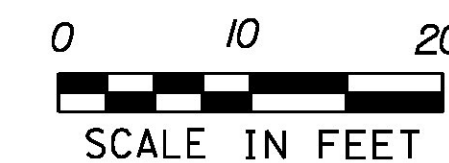


221+00

12" STONE FILL, TYPE I (TYP.)  
GRUBBING MATERIAL (6") (TYP.)

13

STA. 218+33.54 RT 20.46' TO  
STA. 218+59.93 LT 22.80'  
EXTEND 18" CMP 3'-0" RT  
INV. IN = 1168.56  
INV. OUT = 1165.07



PROJECT NAME: HANCOCK	PLOT DATE: 3/18/2015
PROJECT NUMBER: STP 2923 (1)	DRAWN BY: B. MARTIN
FILE NAME: z10c252xs.dgn	CHECKED BY: C. LATHROP
PROJECT LEADER: C. LATHROP	SHEET 167 OF 207
DESIGNED BY: B. MARTIN	
CROSS SECTION SHEET 40	