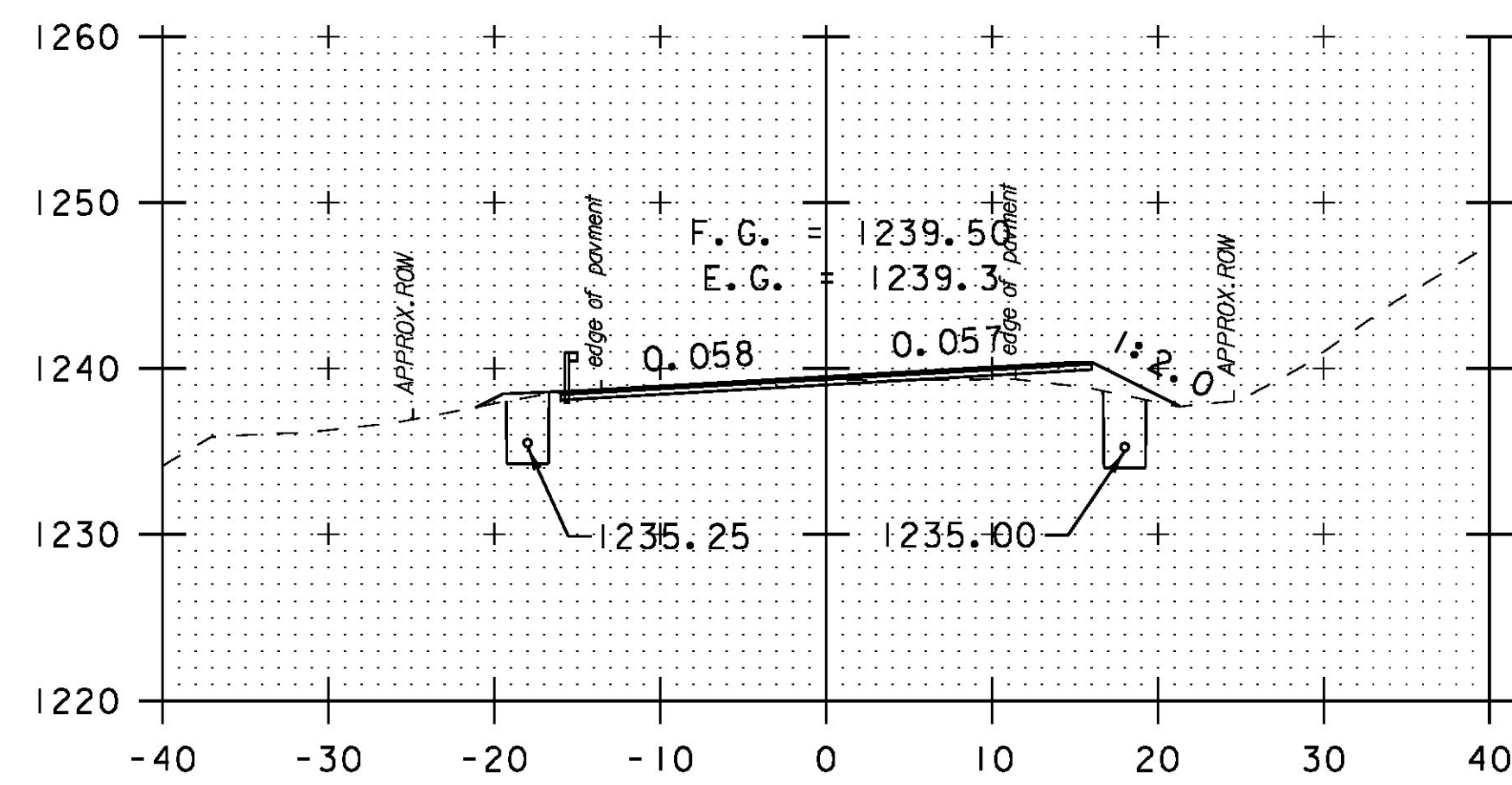
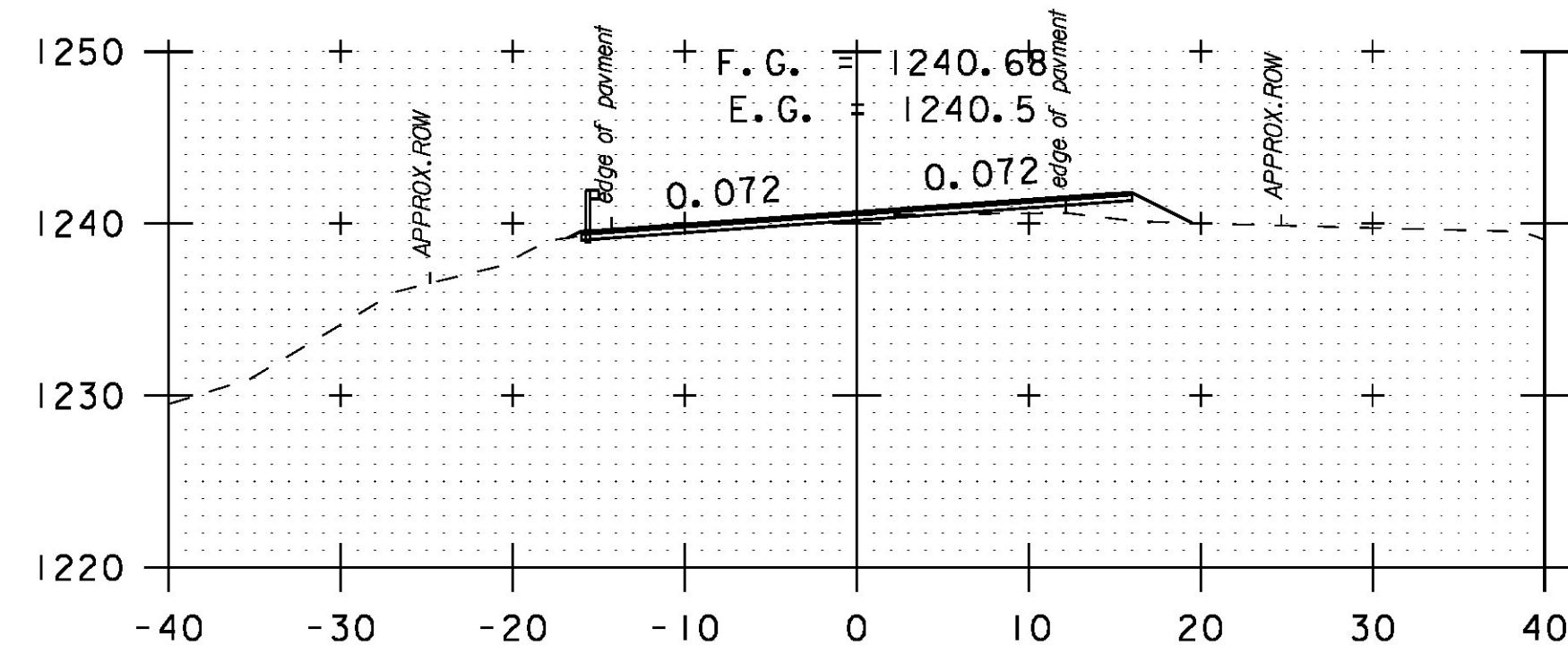


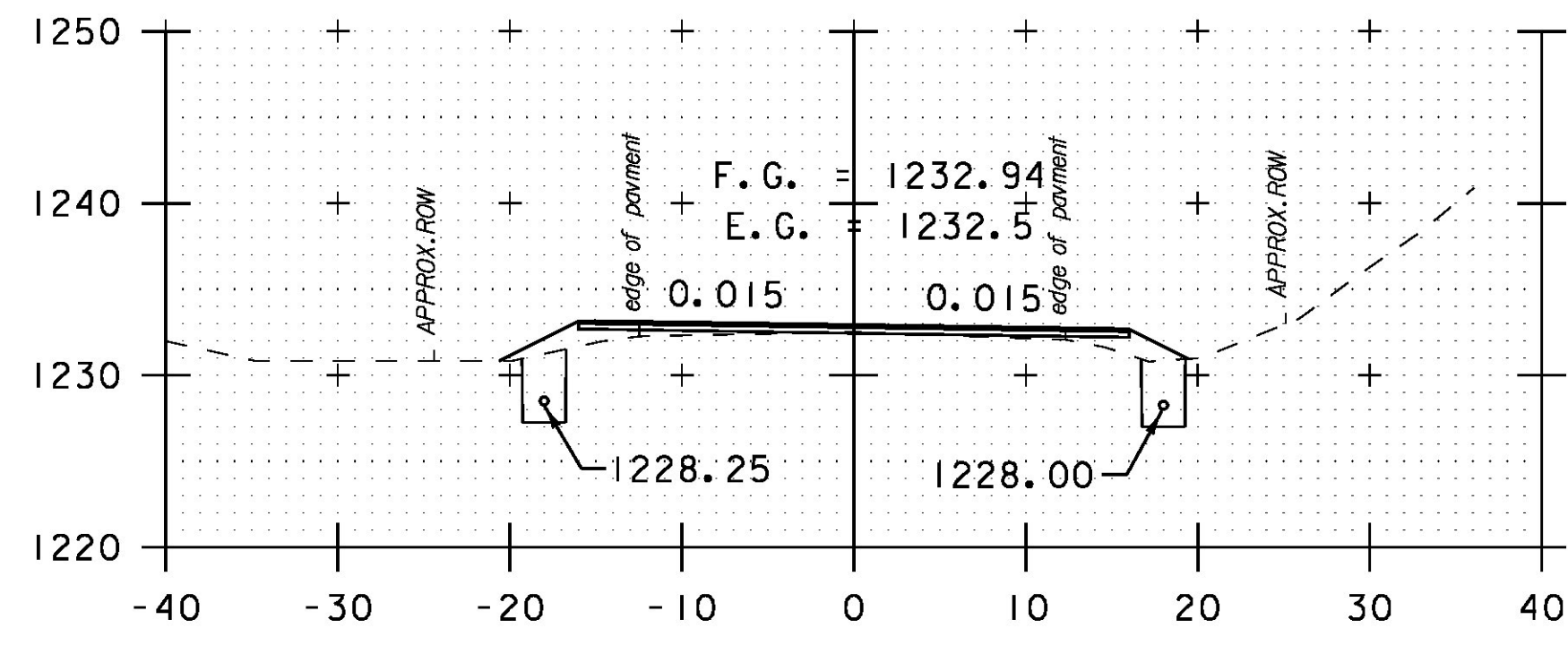
183+00
DRIVE LT



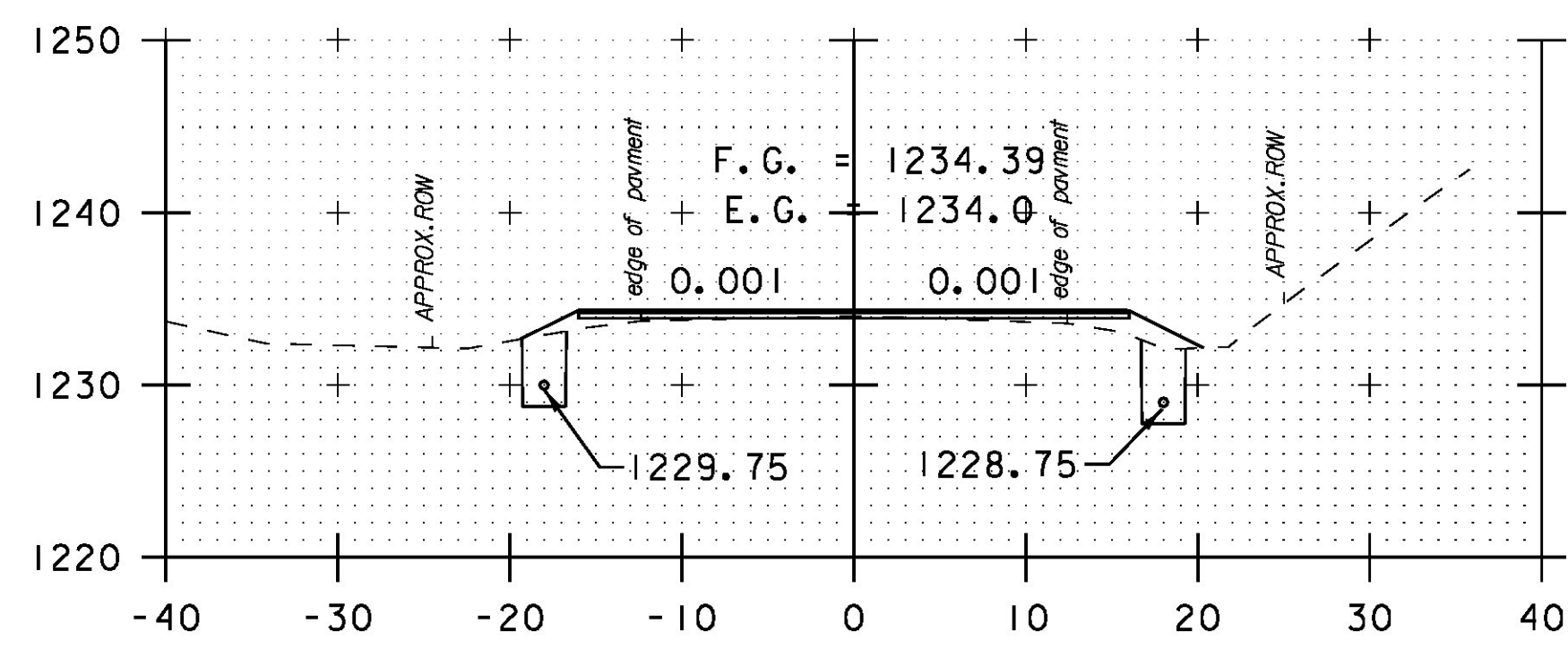
182+50



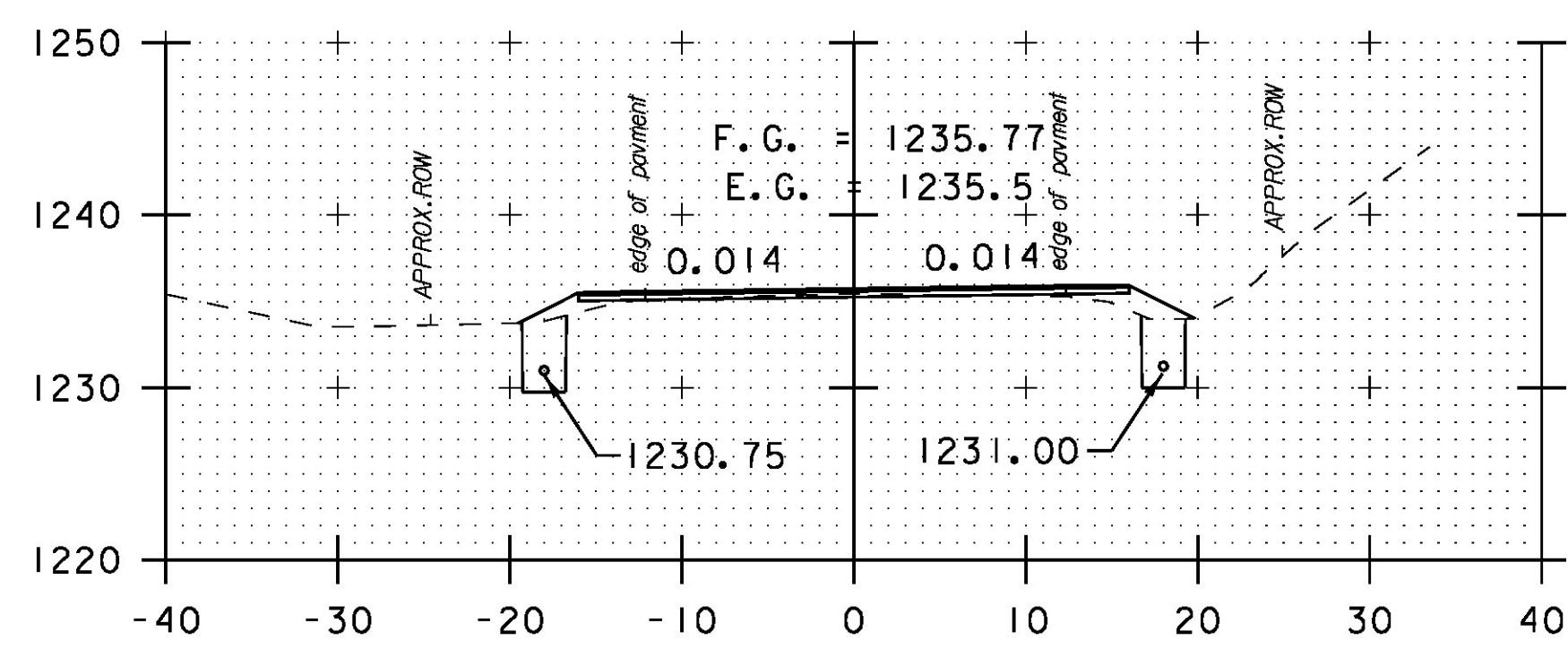
182+00
DRIVE RT



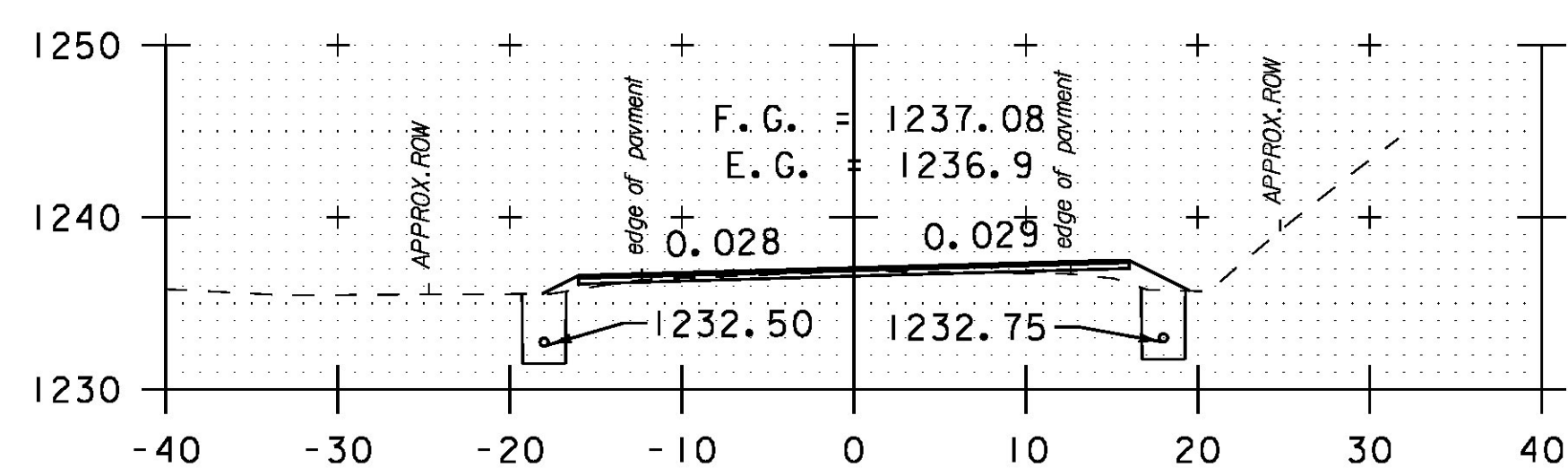
185+00



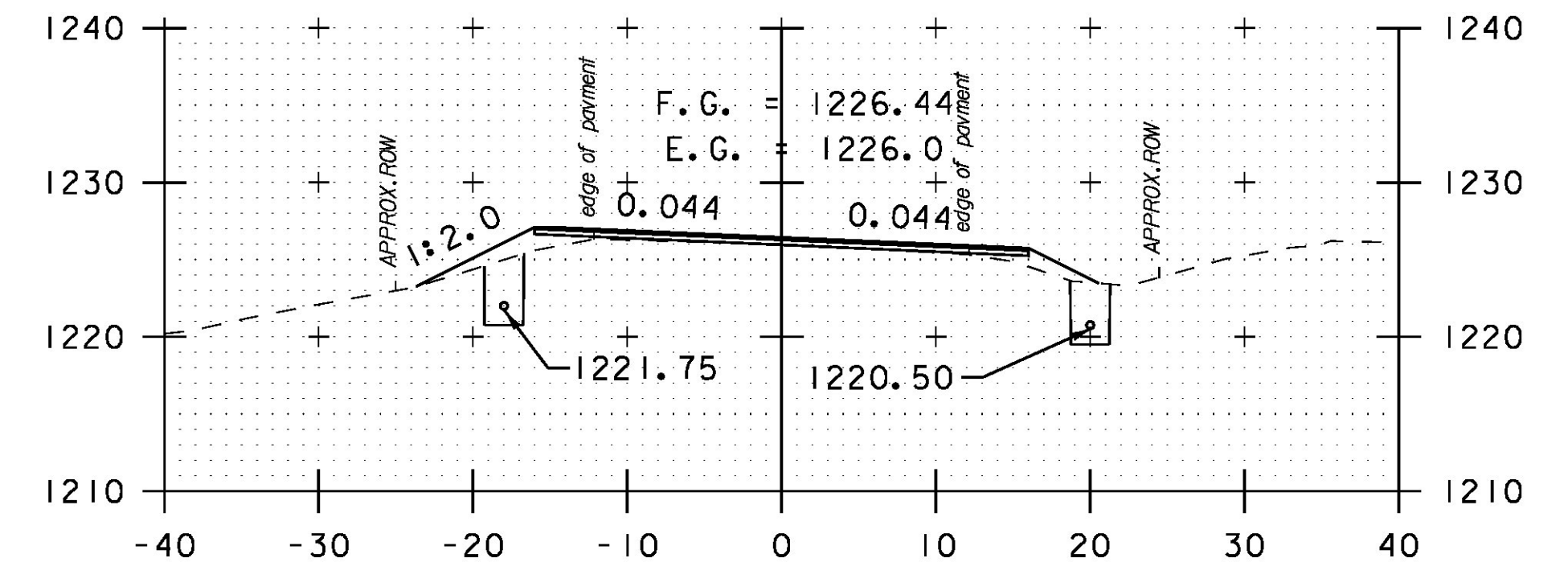
184+50



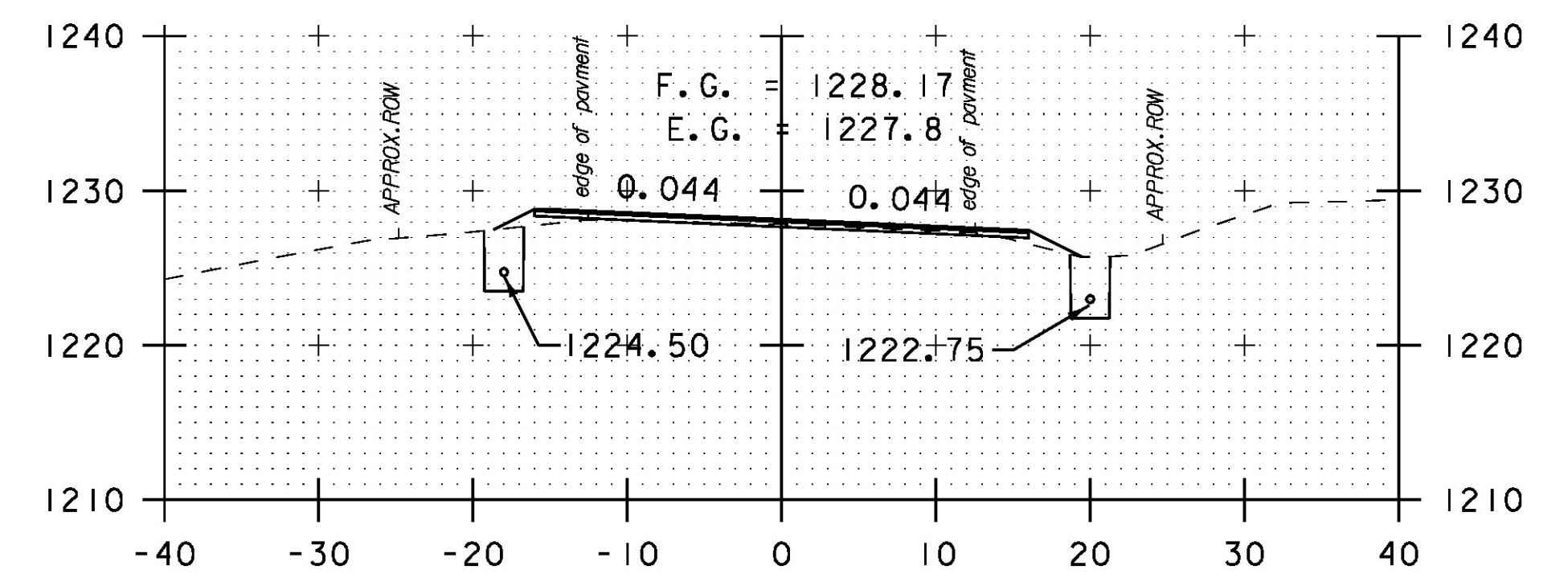
184+00



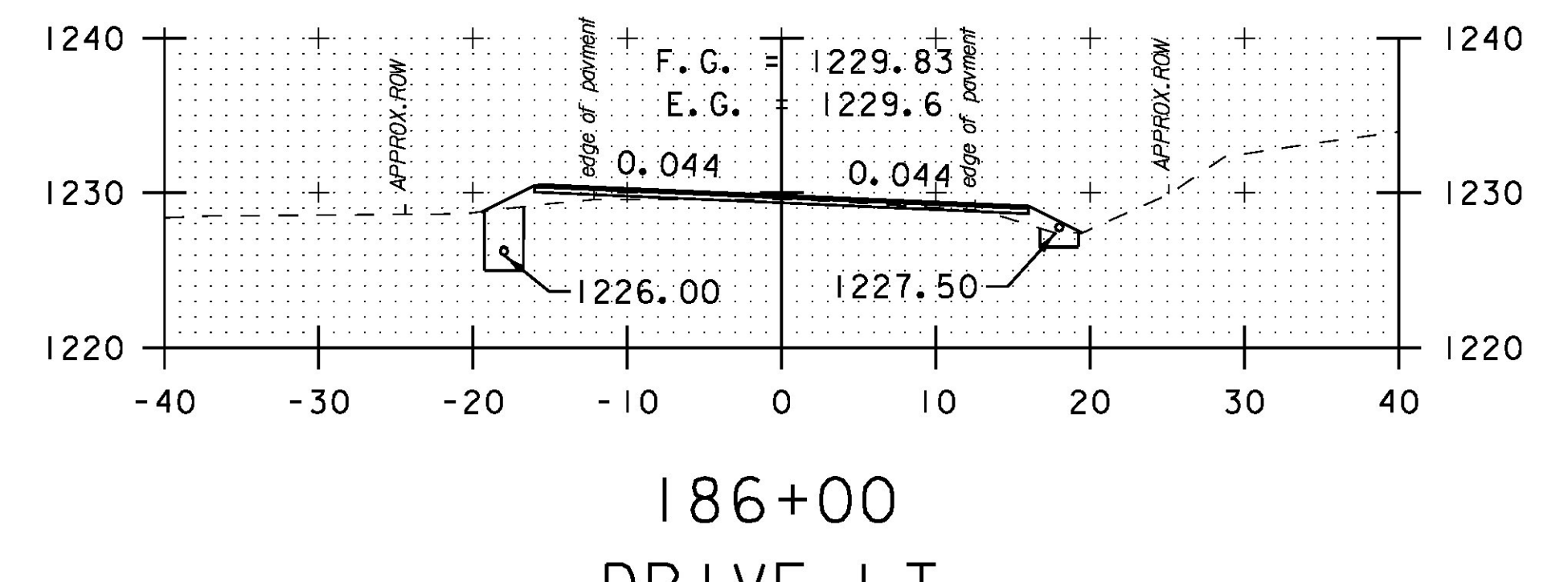
183+50



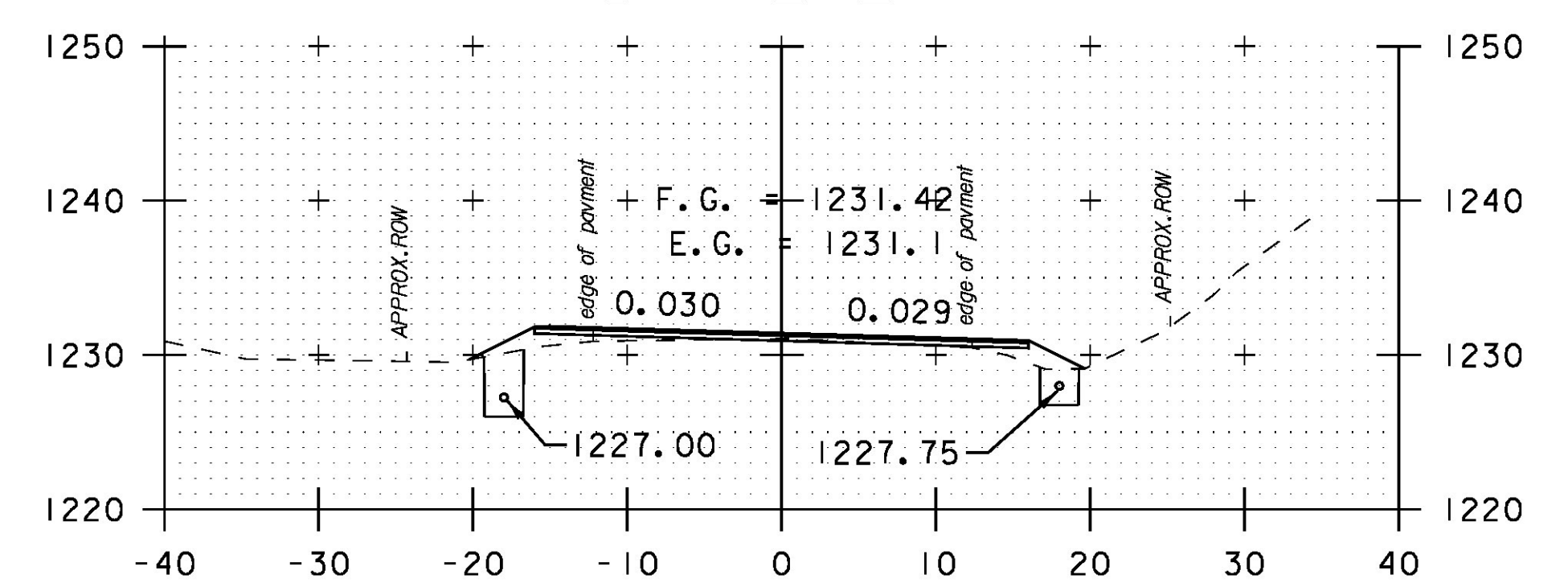
187+00



186+50



186+00
DRIVE LT



185+50



PROJECT NAME: HANCOCK
PROJECT NUMBER: STP 2923 (1)

FILE NAME: z10c252xs.dgn
PROJECT LEADER: C. LATHROP
DESIGNED BY: B. MARTIN
CROSS SECTION SHEET 33

PLOT DATE: 3/18/2015
DRAWN BY: B. MARTIN
CHECKED BY: C. LATHROP
SHEET 160 OF 207