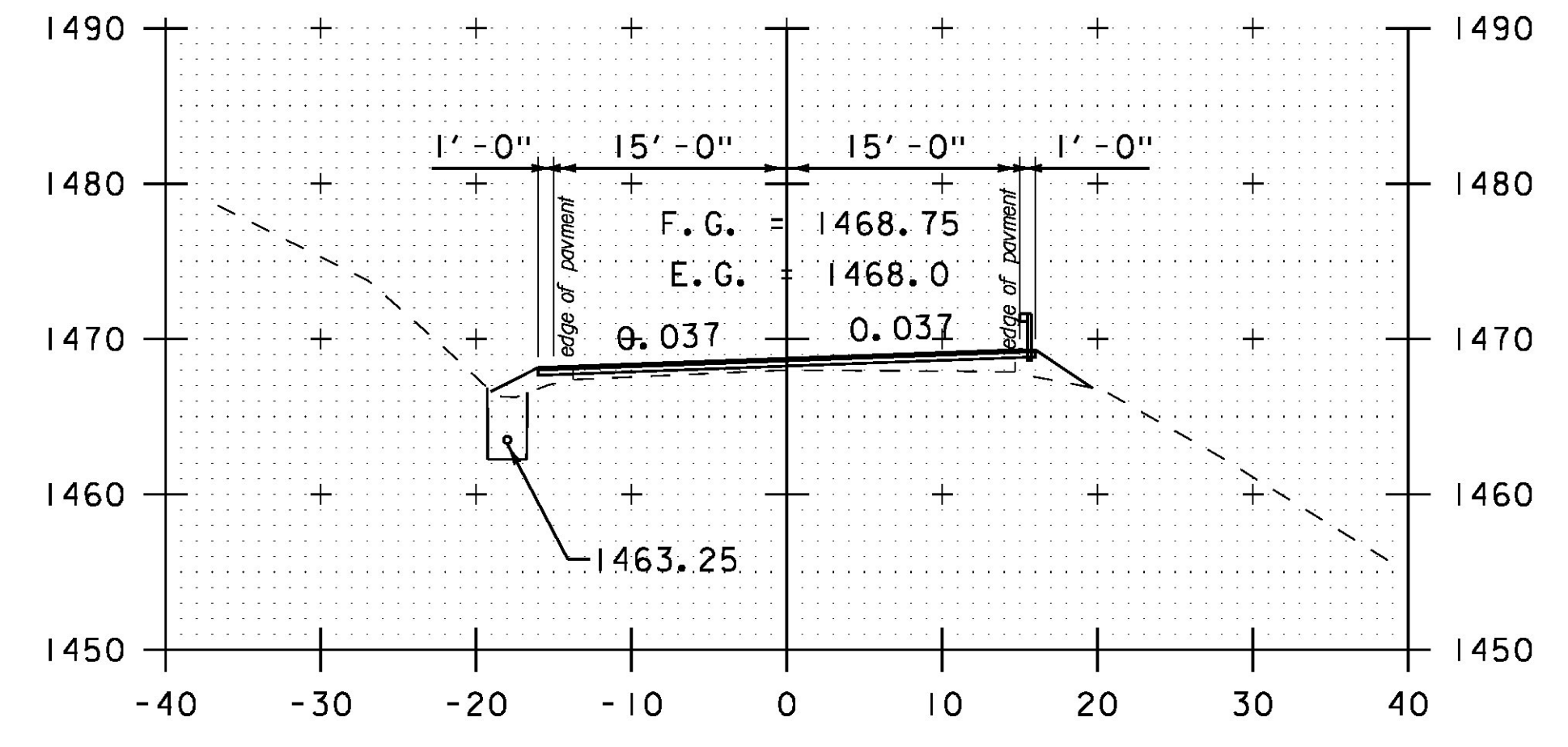
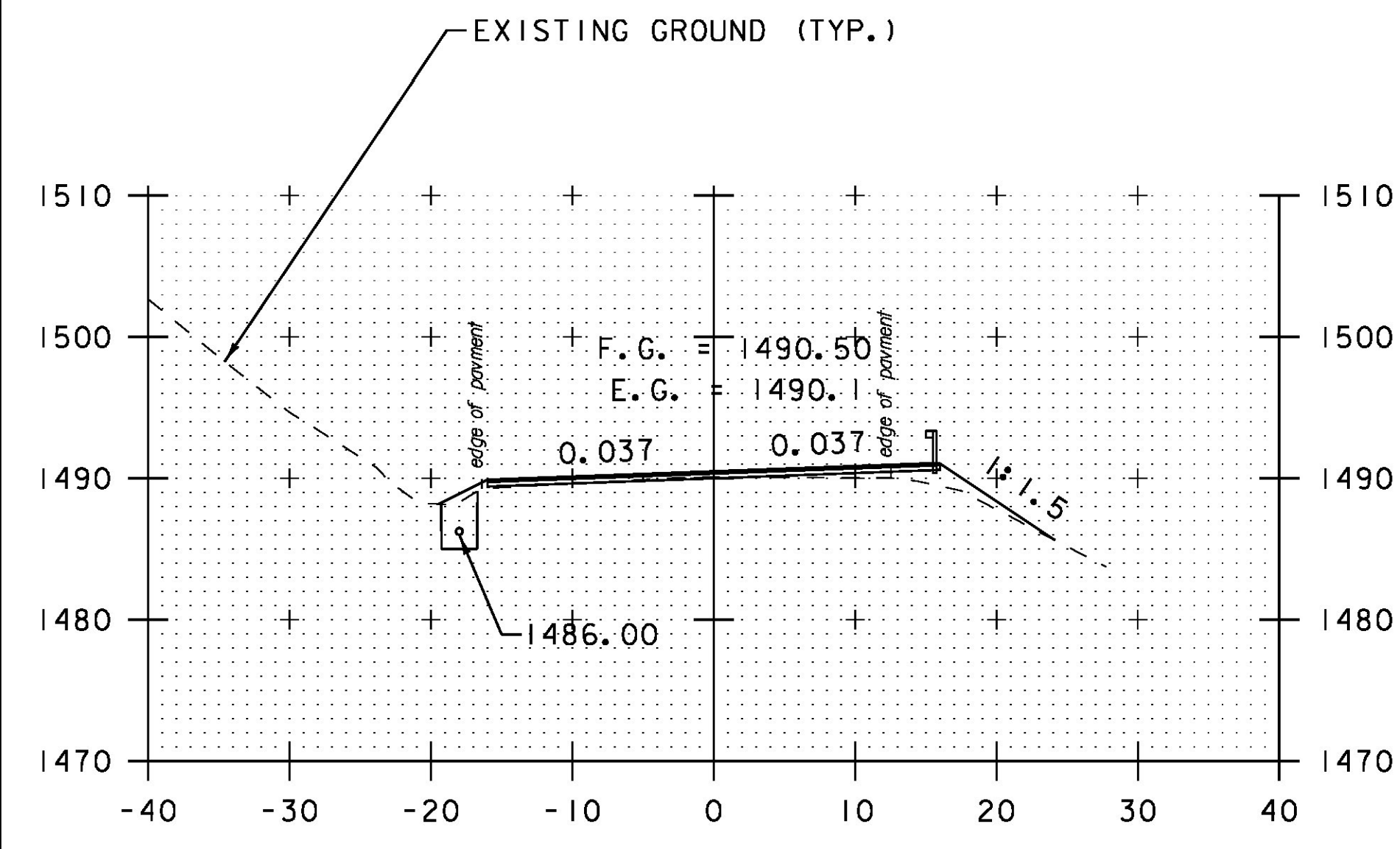


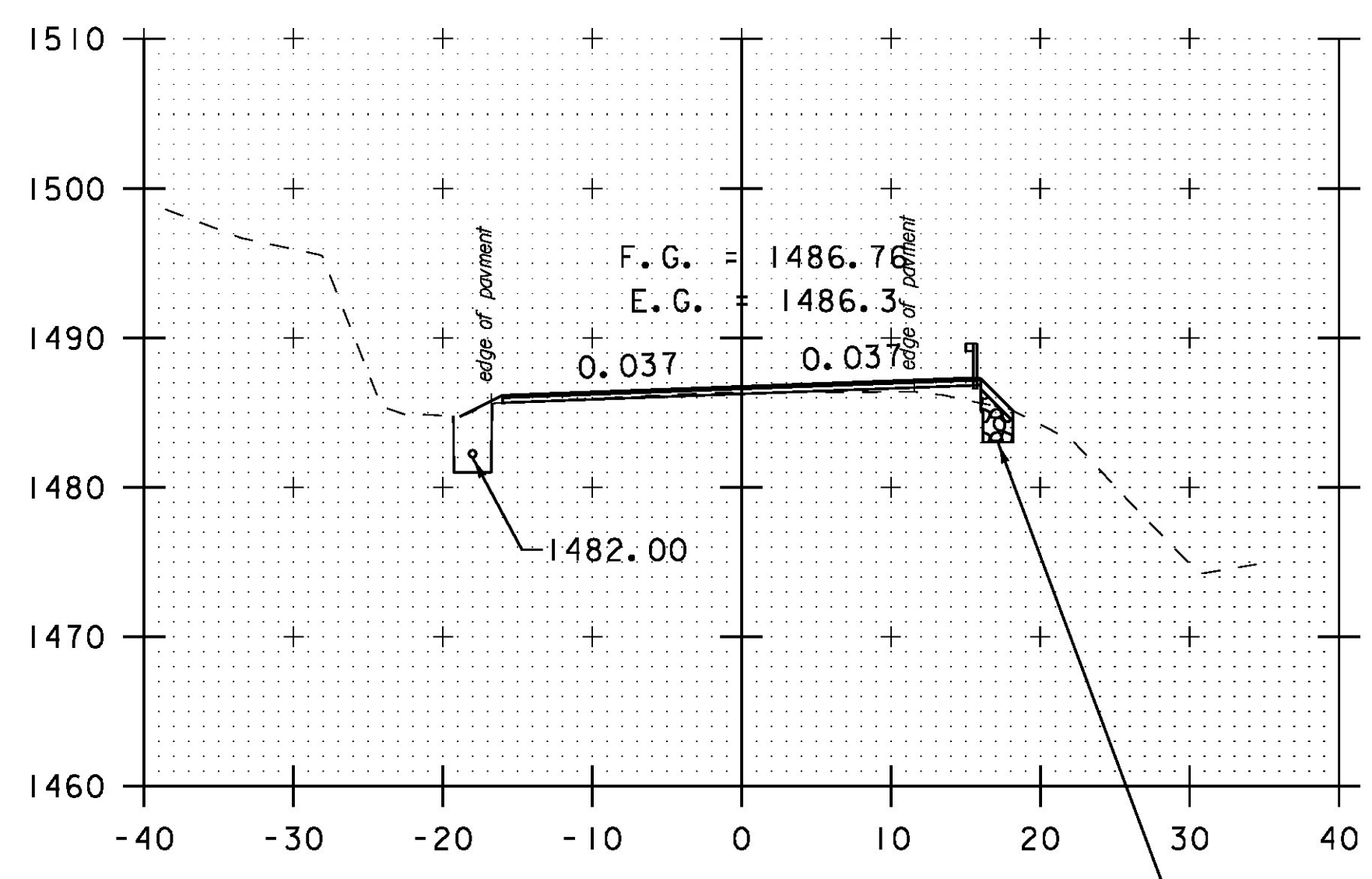
133+00



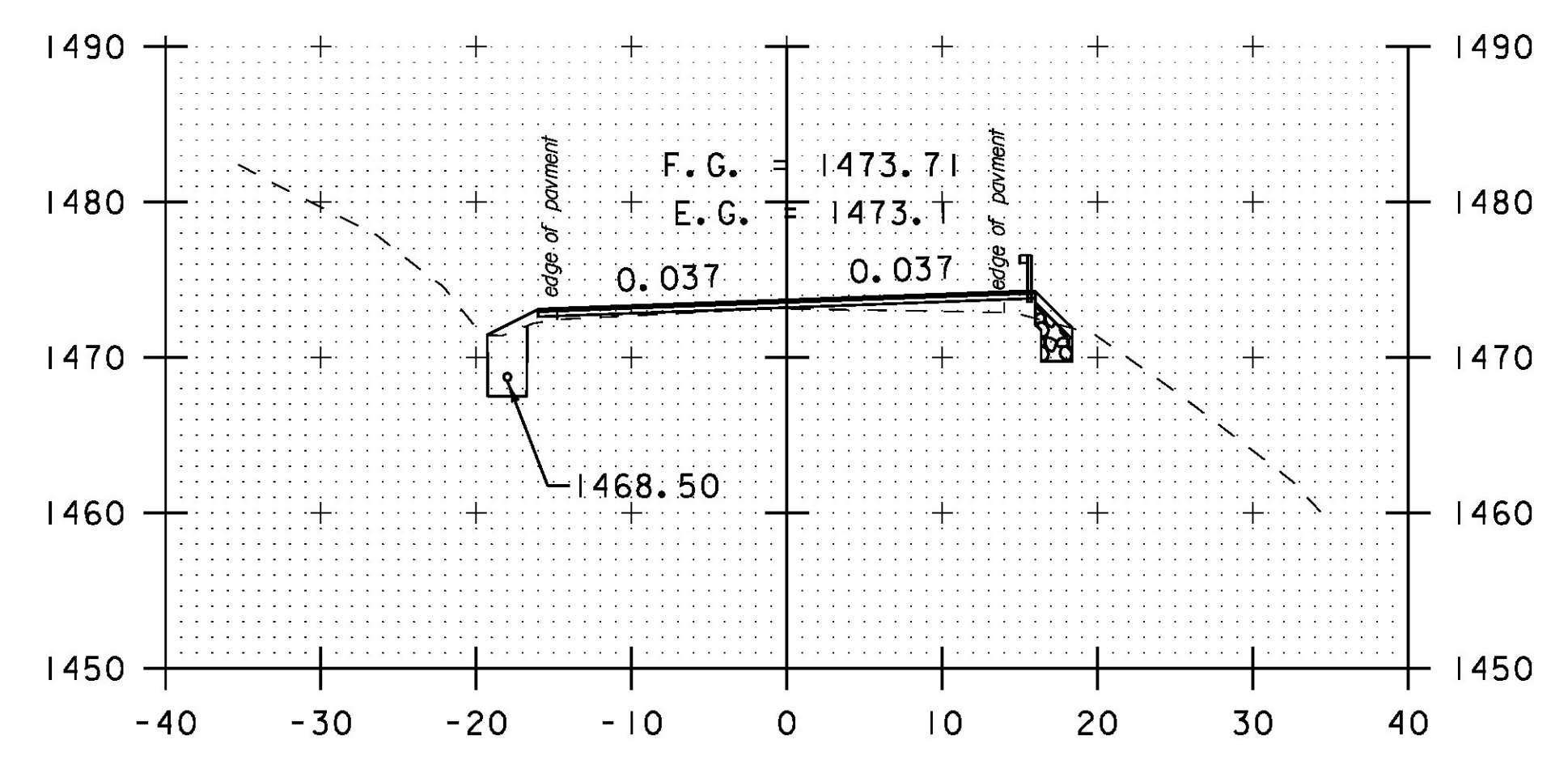
134+50



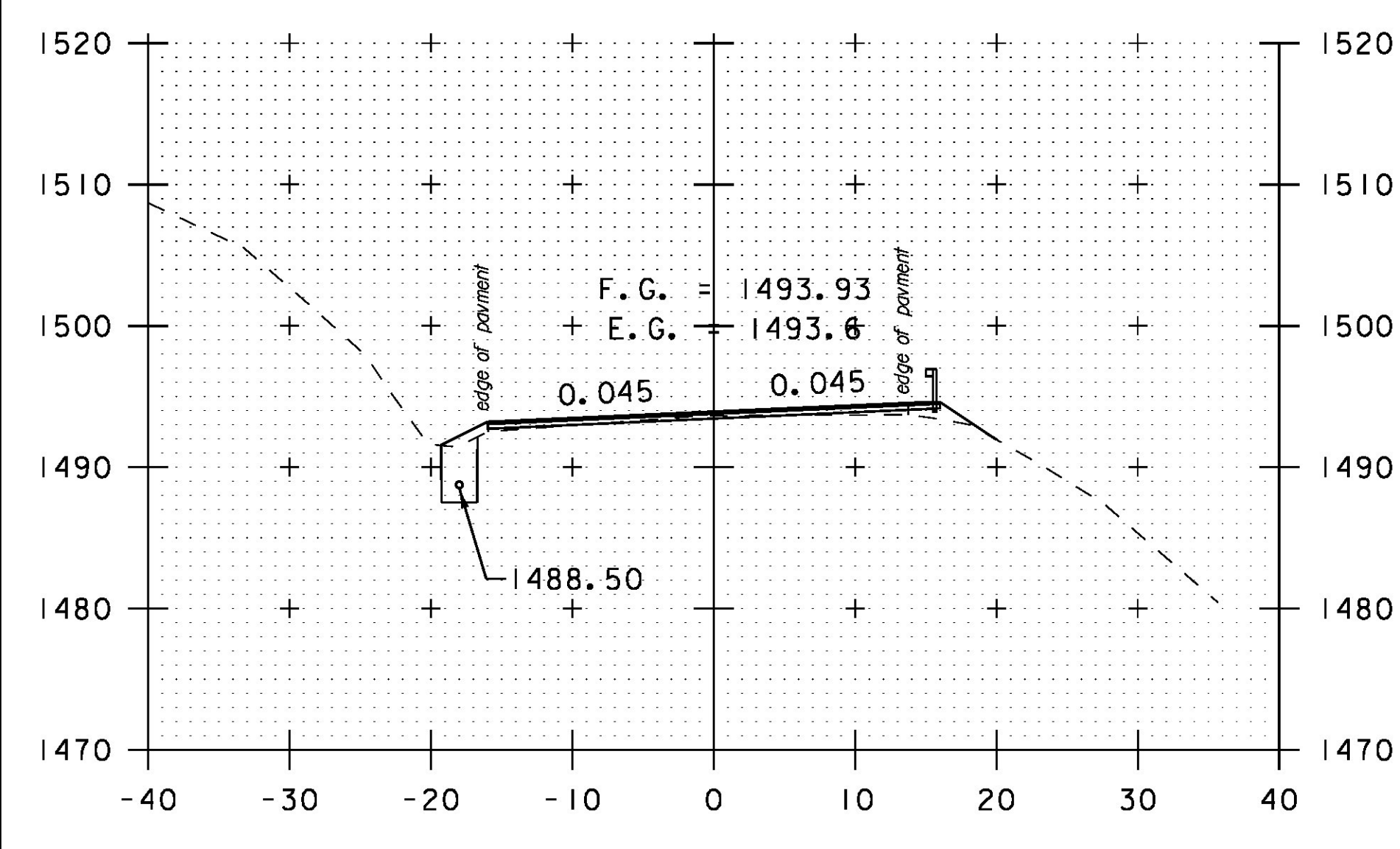
132+00



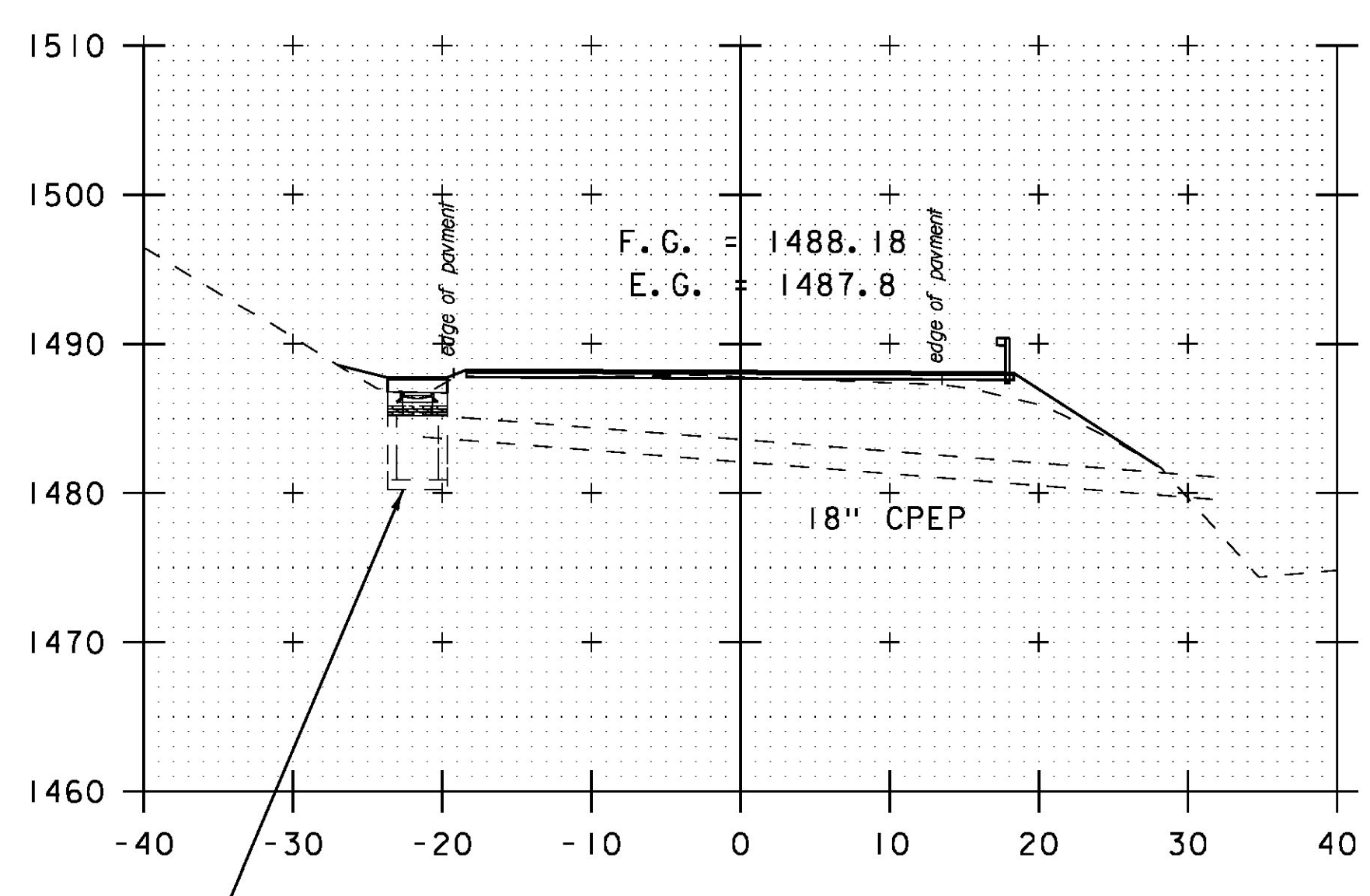
132+50



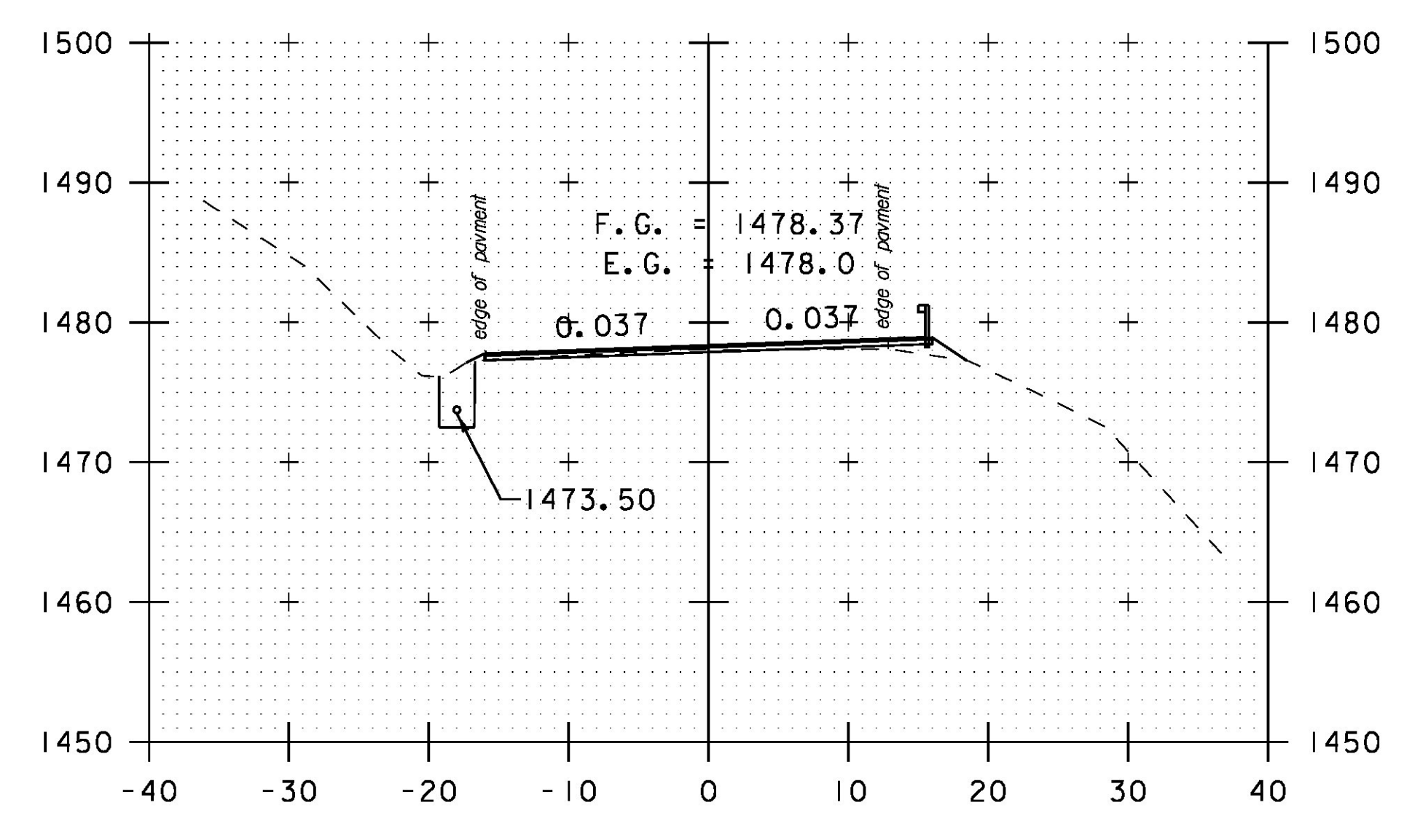
134+00



131+50



132+31
SKEWED



133+50

7

STA. 132+21.05 LT 19.69'
PROJECT ADJUST CATCH BASIN
TO TG = 1487.75'

7



PROJECT NAME: HANCOCK	PLOT DATE: 3/18/2015
PROJECT NUMBER: STP 2923 (1)	DRAWN BY: B. MARTIN
FILE NAME: z10c252xs.dgn	CHECKED BY: C. LATHROP
PROJECT LEADER: C. LATHROP	SHEET 148 OF 207
DESIGNED BY: B. MARTIN	
CROSS SECTION SHEET 21	