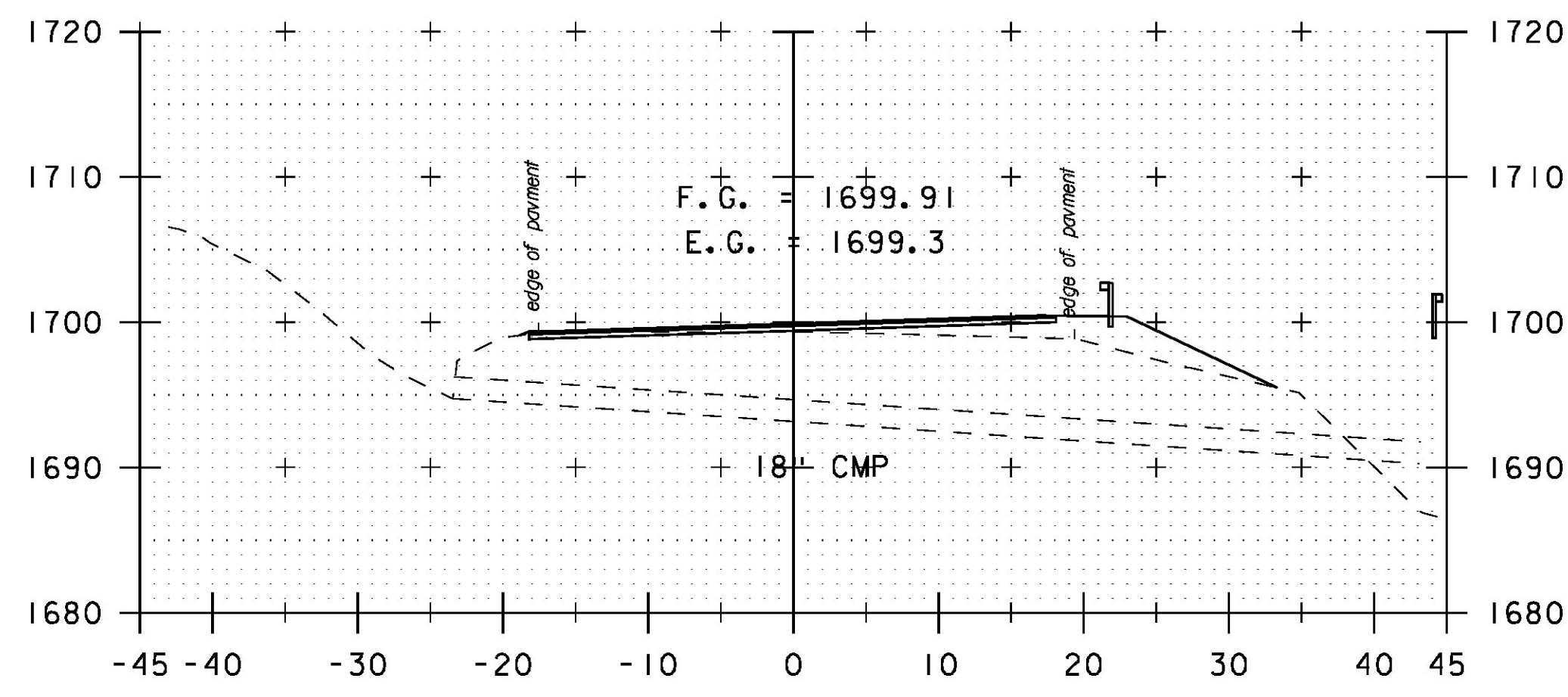
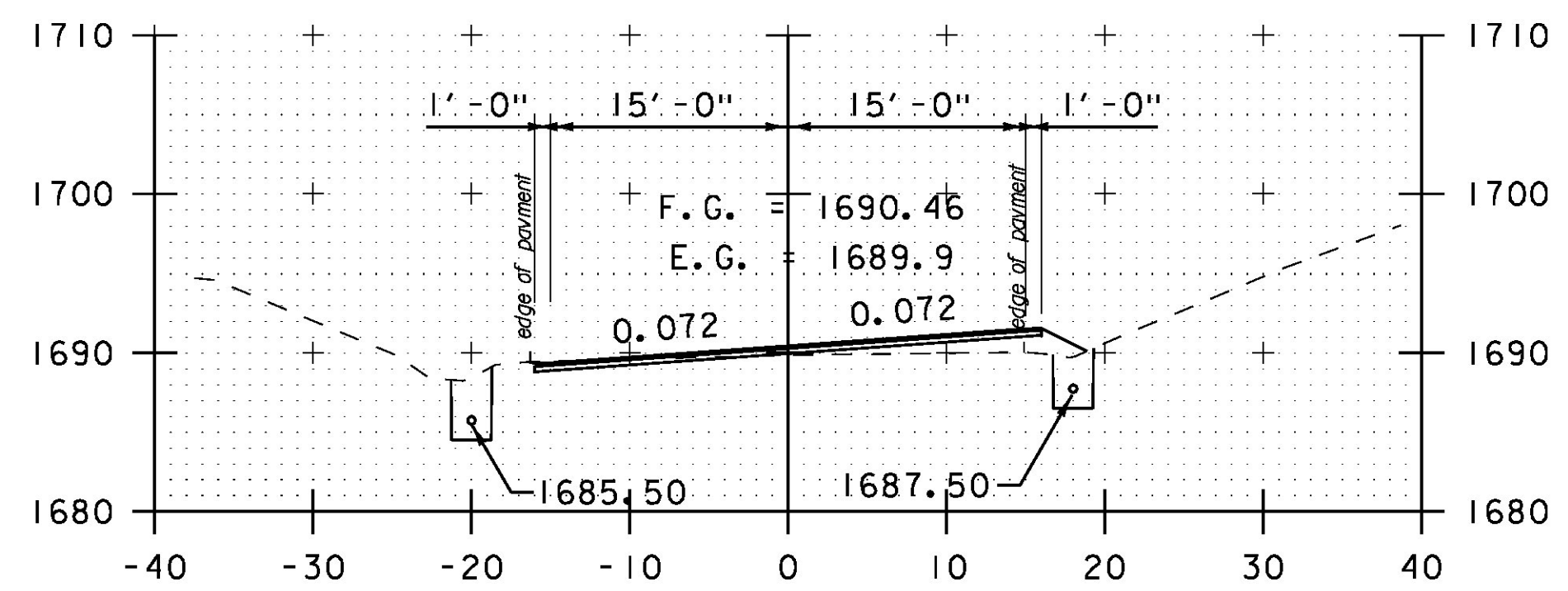


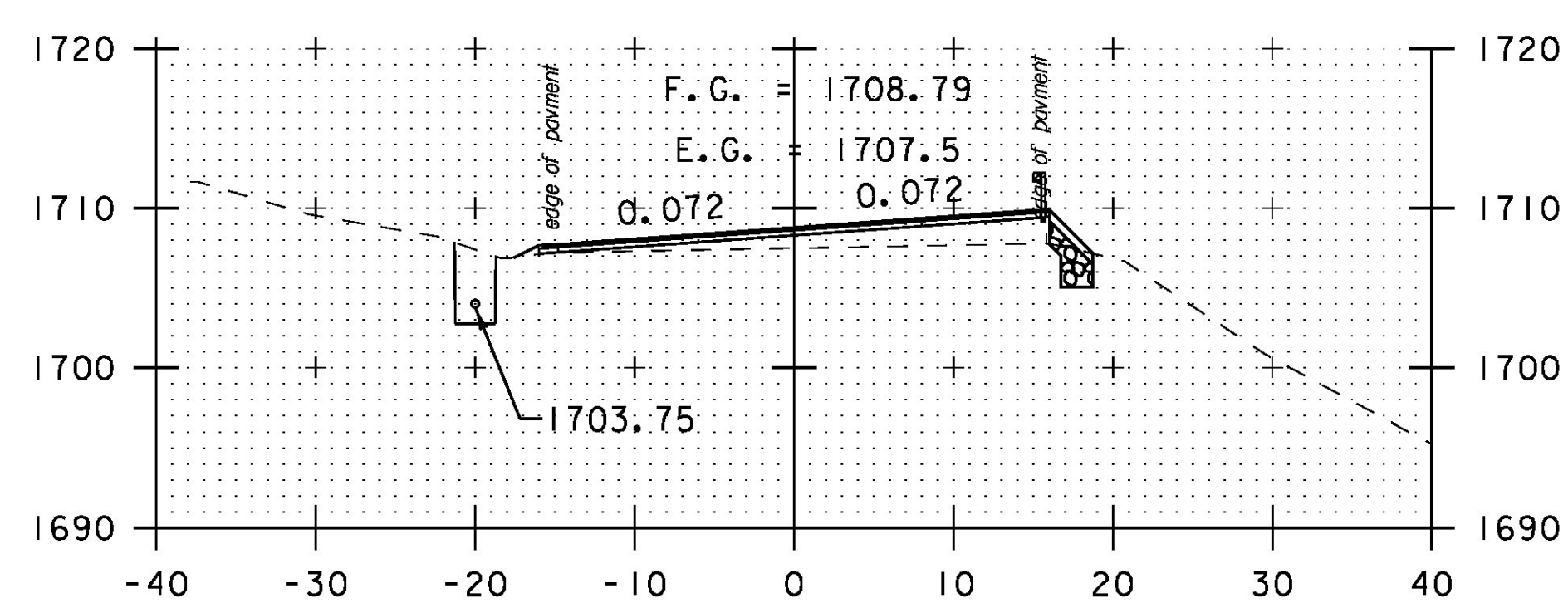
105+00



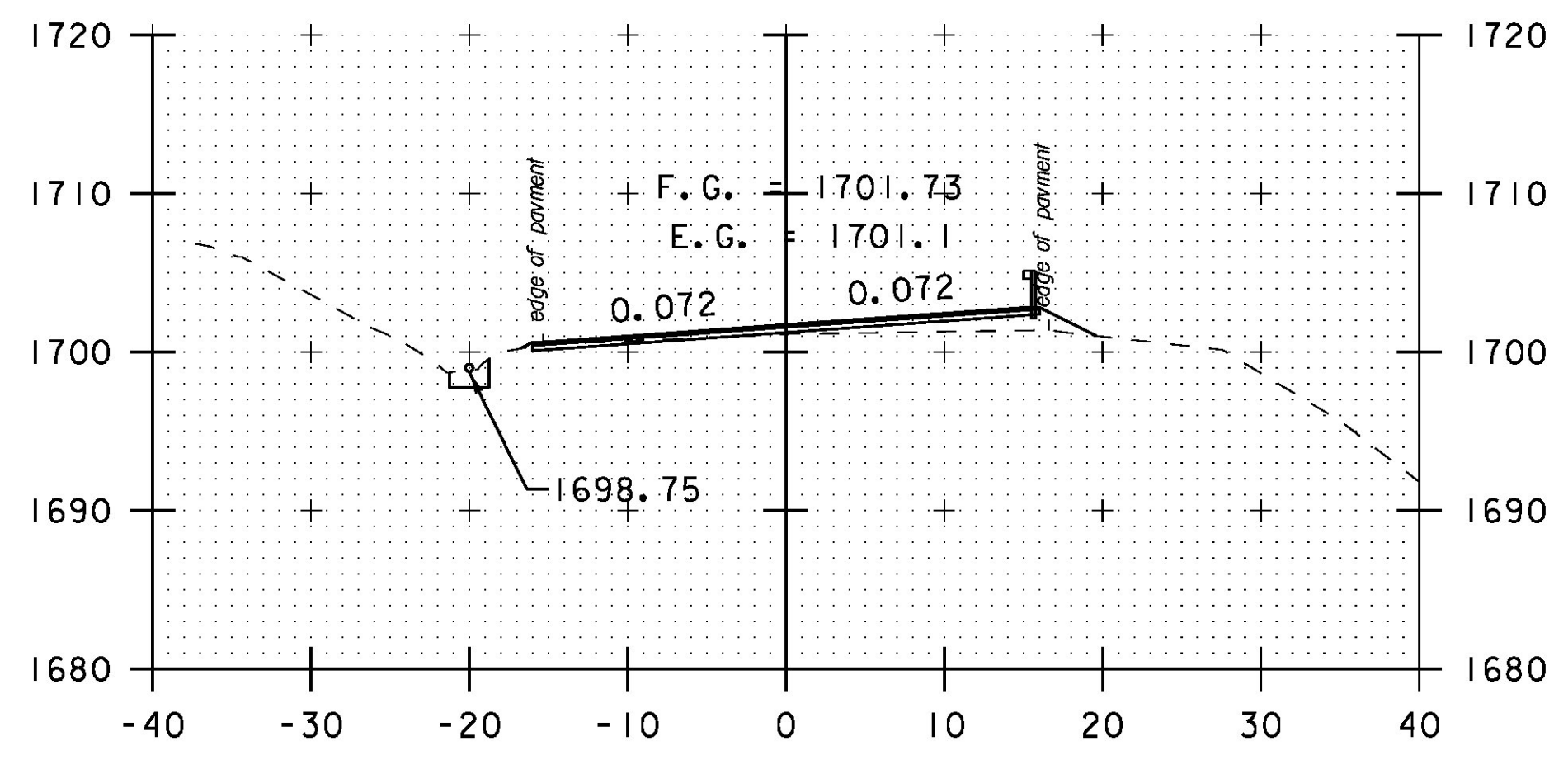
106+29



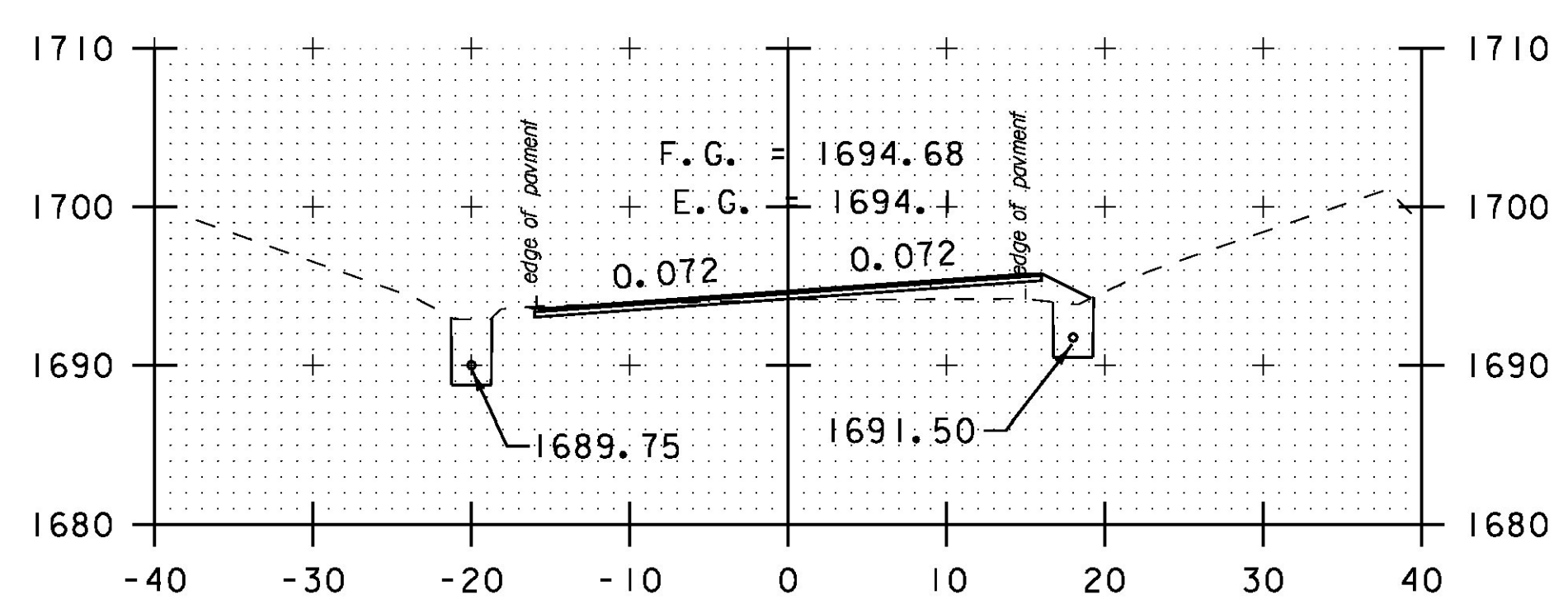
107+50



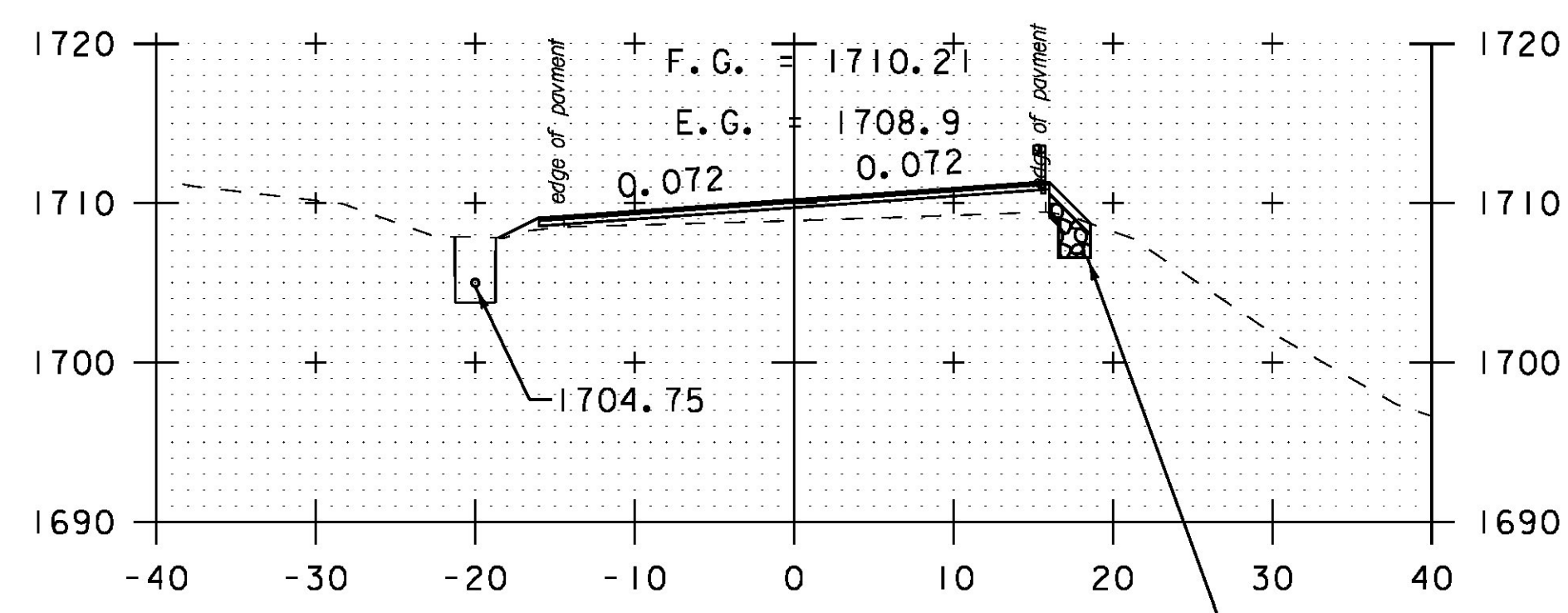
104+50



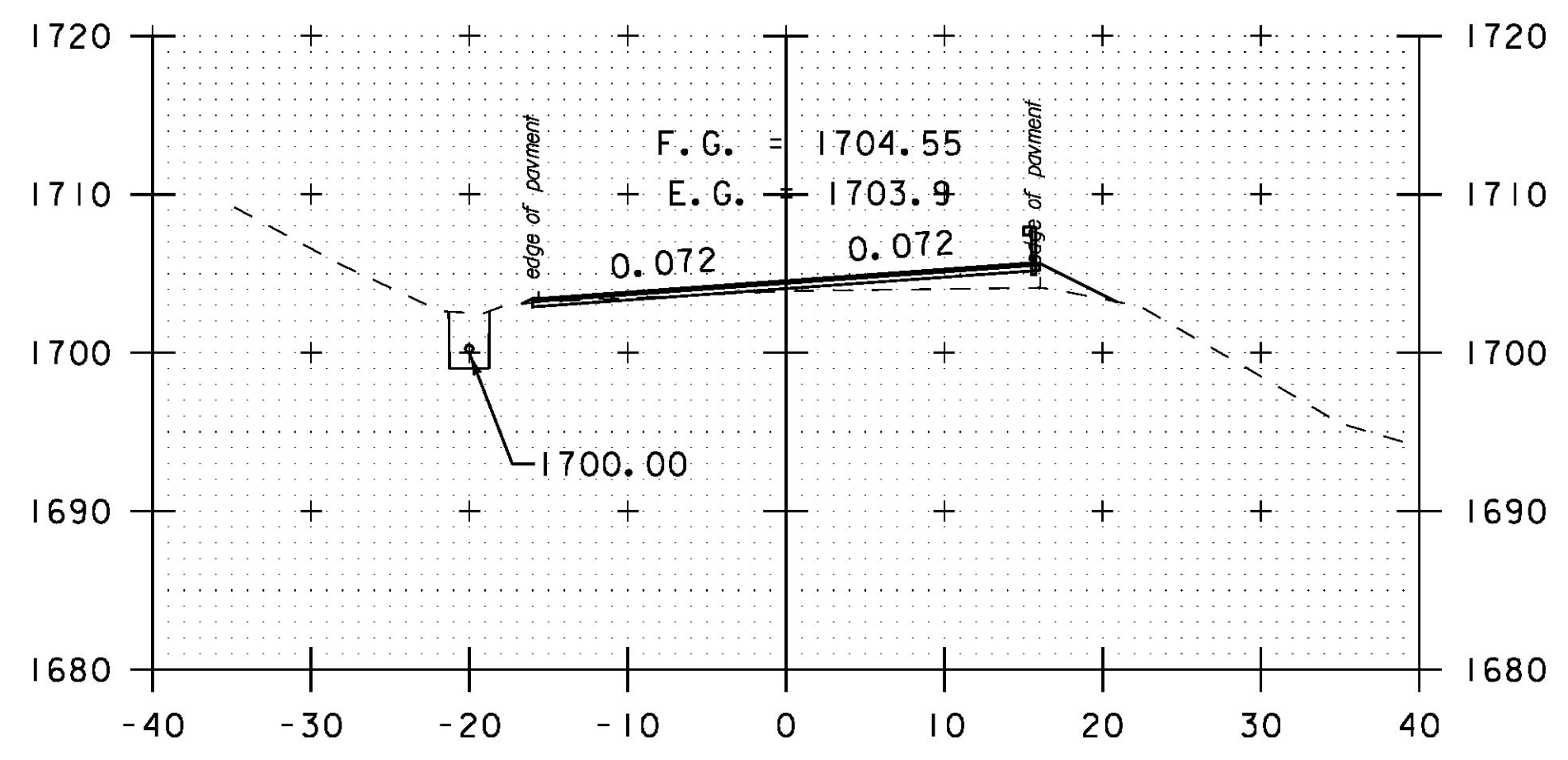
106+00



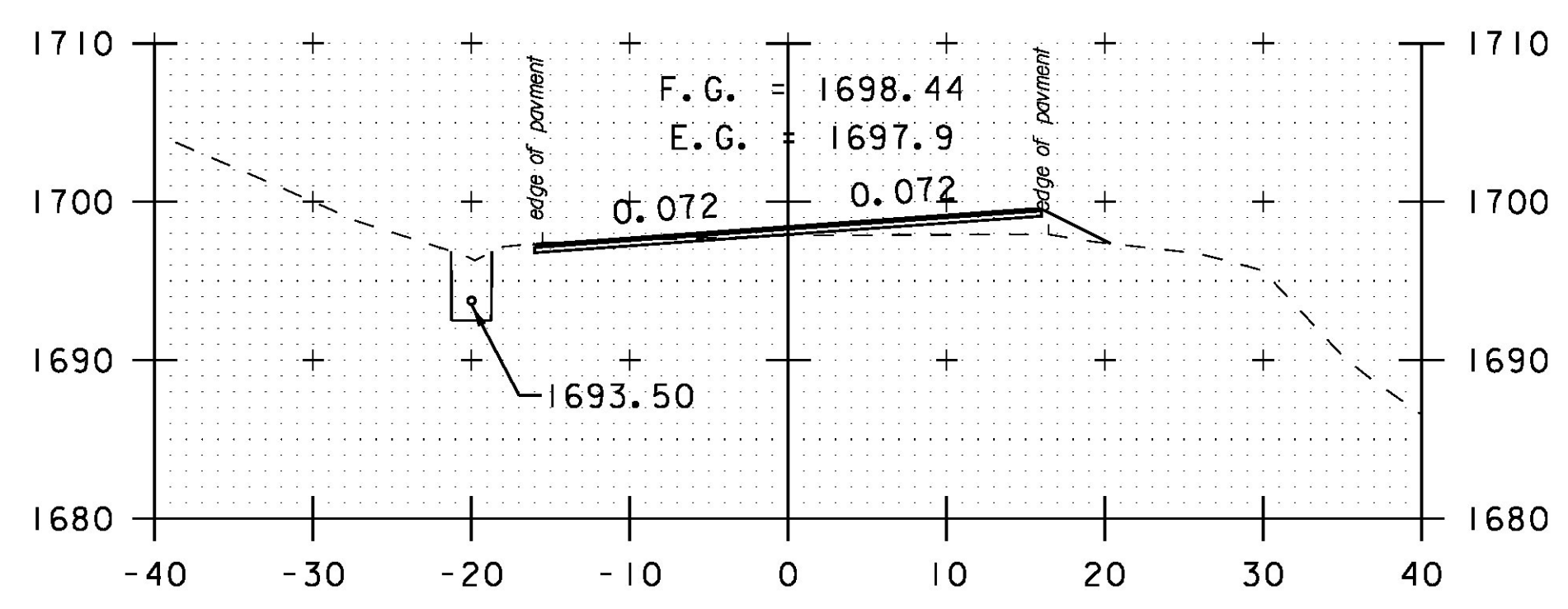
107+00



104+00

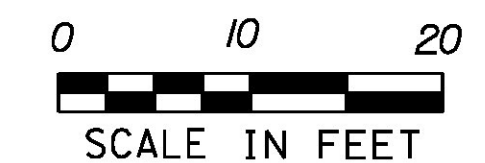


105+50



106+50

12" STONE FILL, TYPE I (TYP.)
GRUBBING MATERIAL (6") (TYP.)



PROJECT NAME: HANCOCK	
PROJECT NUMBER: STP 2923 (1)	
FILE NAME: z10c252xs.dgn	PLOT DATE: 3/18/2015
PROJECT LEADER: C. LATHROP	DRAWN BY: B. MARTIN
DESIGNED BY: B. MARTIN	CHECKED BY: C. LATHROP
CROSS SECTION SHEET 14	SHEET 141 OF 207