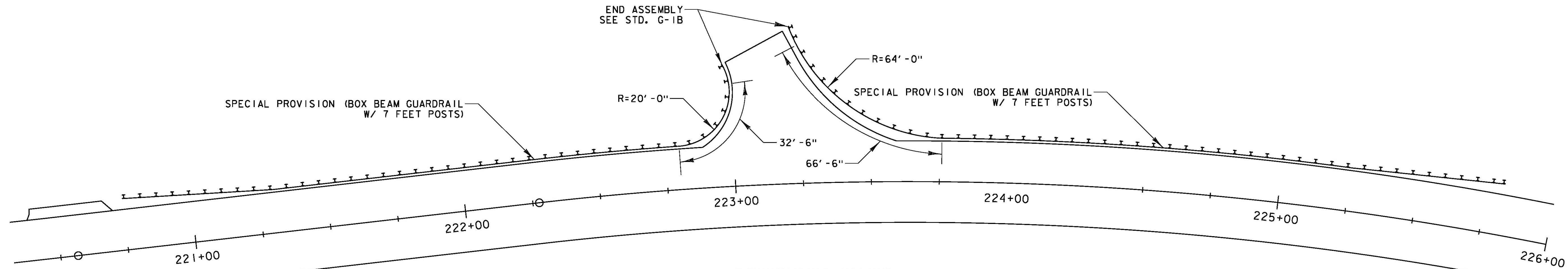
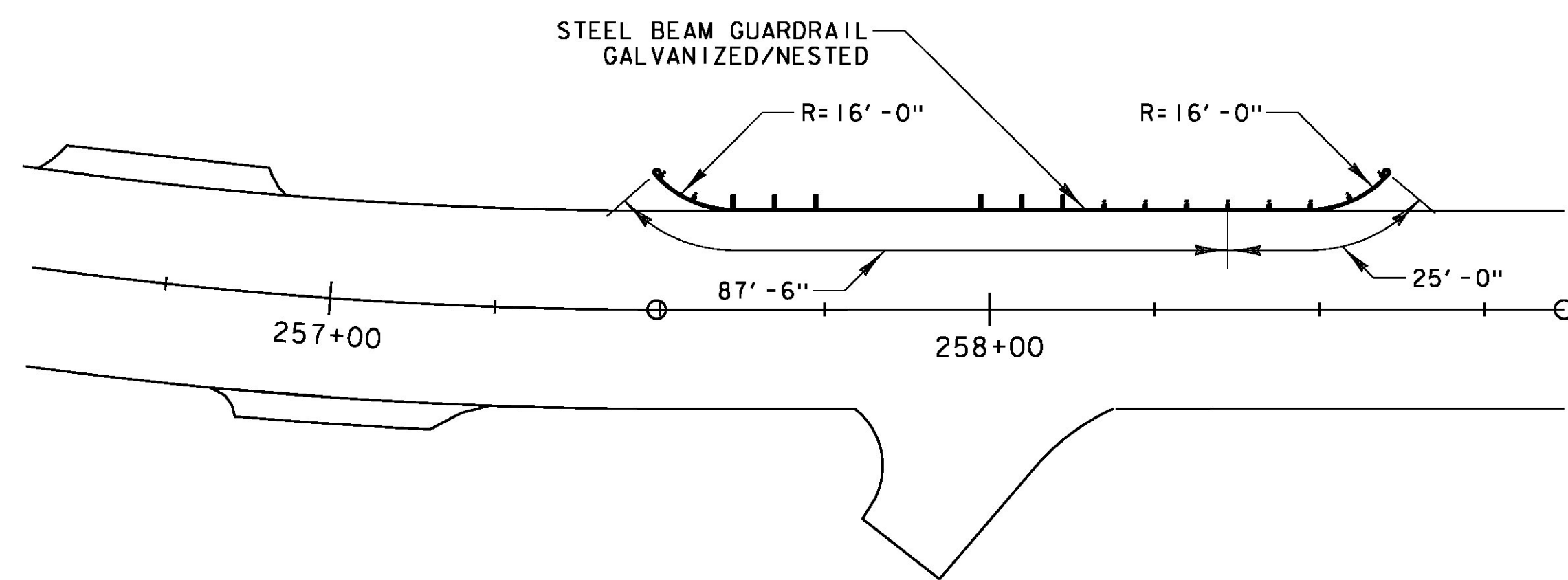


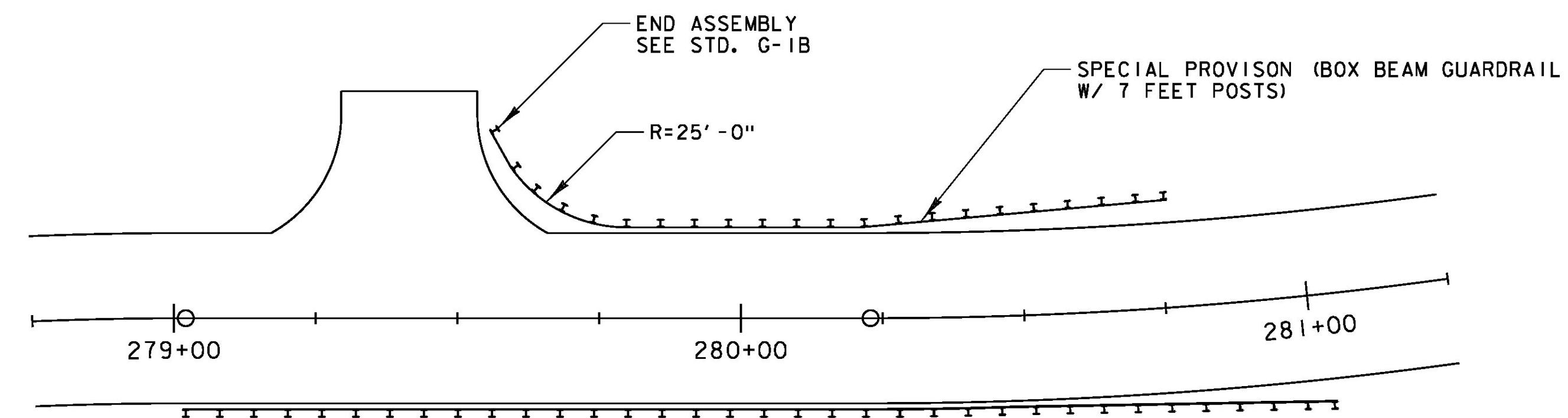
GUARDRAIL DETAIL
STA. 212+37.5 - STA. 214+25 RT



GUARDRAIL DETAIL
STA. 220+75 - STA. 223+00 LT
STA. 223+19 - STA. 225+81.5 LT



GUARDRAIL DETAIL
STA. 257+12 - STA. 257+69 LT



GUARDRAIL DETAIL
STA. 279+77.5 - STA. 279+79 LT

DETAILS ARE NOT TO SCALE

PROJECT NAME:	HANCOCK
PROJECT NUMBER:	STP 2923 (1)
FILE NAME:	z10c252det.dgn
PROJECT LEADER:	C. LATHROP
DESIGNED BY:	B. MARTIN
GUARDRAIL LAYOUT SHEET	
PLOT DATE:	3/18/2015
DRAWN BY:	J. GOODALL
CHECKED BY:	C. LATHROP
SHEET	127 OF 207