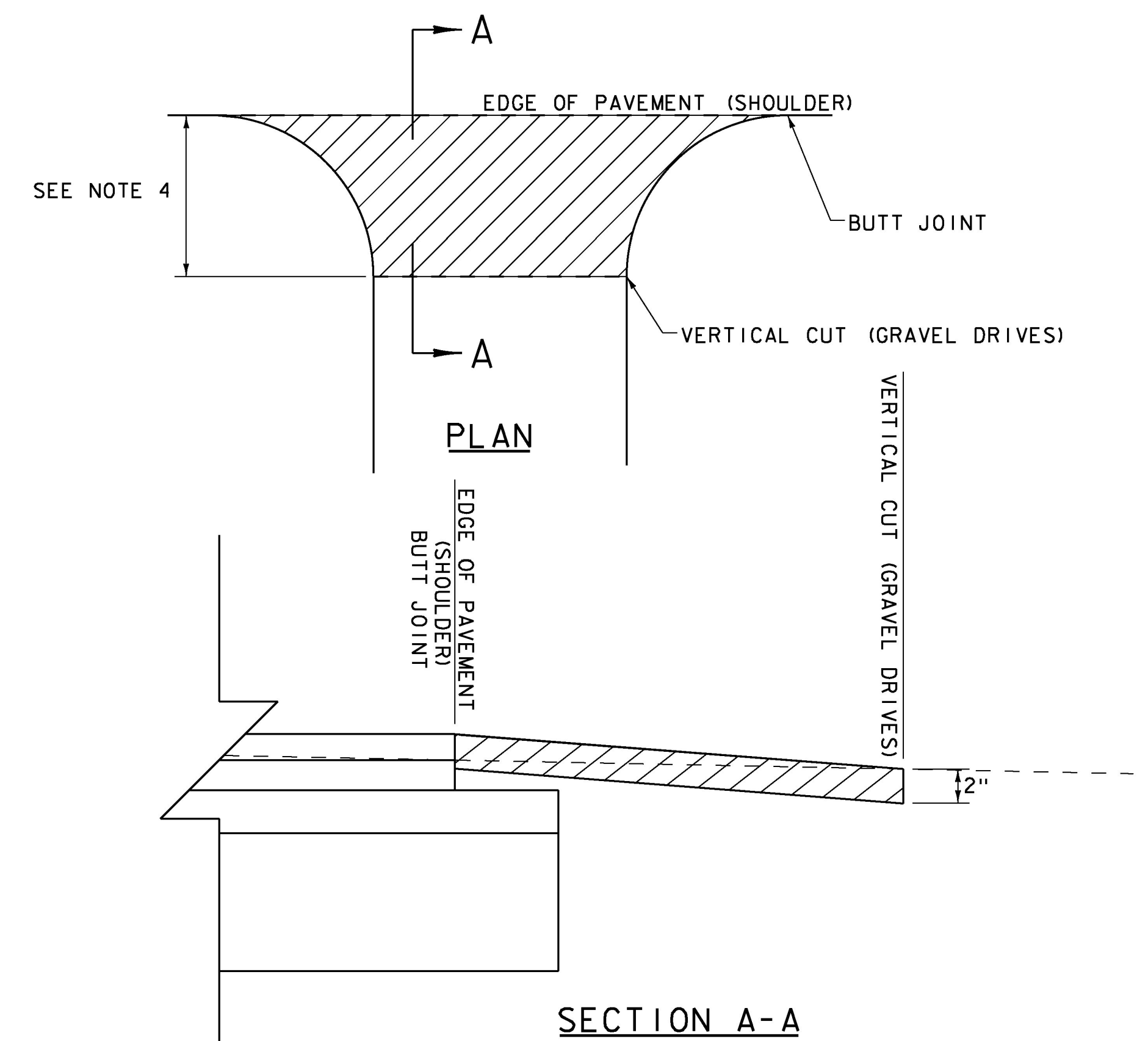


STATION	POSITION	TYPE	QUANTITY (SY)
HANCOCK			
53+48	RT	WOODS	5.2
59+11	LT	WOODS	5.9
88+28	RT	GRAVEL	37.3
101+86	RT	GRAVEL	59.1
142+00	LT	WOODS	4.1
144+04	LT	WOODS	7.6
167+05	LT	FIELD	5.5
173+48	RT	GRAVEL	10.4
176+01	RT	FIELD	9.5
182+02	RT	GRAVEL	26.5
183+16	LT	FIELD	13.1
186+17	LT	FIELD	11.3
187+28	LT	GRAVEL	16.7
187+67	RT	GRAVEL	13.4
188+93	RT	GRAVEL	12.0
190+25	RT	GRAVEL	12.4
190+76	LT	GRAVEL	6.8
192+55	RT	GRAVEL	16.5
200+90	LT	GRAVEL	12.6
202+64	LT	GRAVEL	11.8
205+99	RT	FIELD	4.3
210+00	RT	GRAVEL	11.4
213+34	LT	GRAVEL	5.9
214+33	RT	GRAVEL	18.4
216+57	RT	GRAVEL	15.9

STATION	POSITION	TYPE	QUANTITY (SY)
218+86	RT	GRAVEL	10.0
219+63	RT	GRAVEL	11.8
220+54	LT	GRAVEL	12.9
228+31	LT	GRAVEL	21.4
233+99	RT	GRAVEL	17.2
235+51	RT	GRAVEL	6.4
236+75	LT	GRAVEL	39.5
237+91	LT	FIELD	3.3
239+85	RT	GRAVEL	9.4
241+69	LT	GRAVEL	16.3
242+86	RT	GRAVEL	7.3
247+79	RT	PAVED	11.7
251+21	LT	FIELD	7.7
253+63	RT	GRAVEL	9.4
255+99	RT	GRAVEL	9.5
256+43	LT	GRAVEL	12.2
256+73	RT	GRAVEL	15.2
257+07	RT	GRAVEL	19.2
259+57	RT	GRAVEL	7.4
261+16	LT	FIELD	3.8
261+81	RT	PAVED	13.7
262+65	LT	GRAVEL	8.1
263+47	LT	GRAVEL	11.4
264+75	LT	GRAVEL	17.0
265+90	RT	GRAVEL	18.0

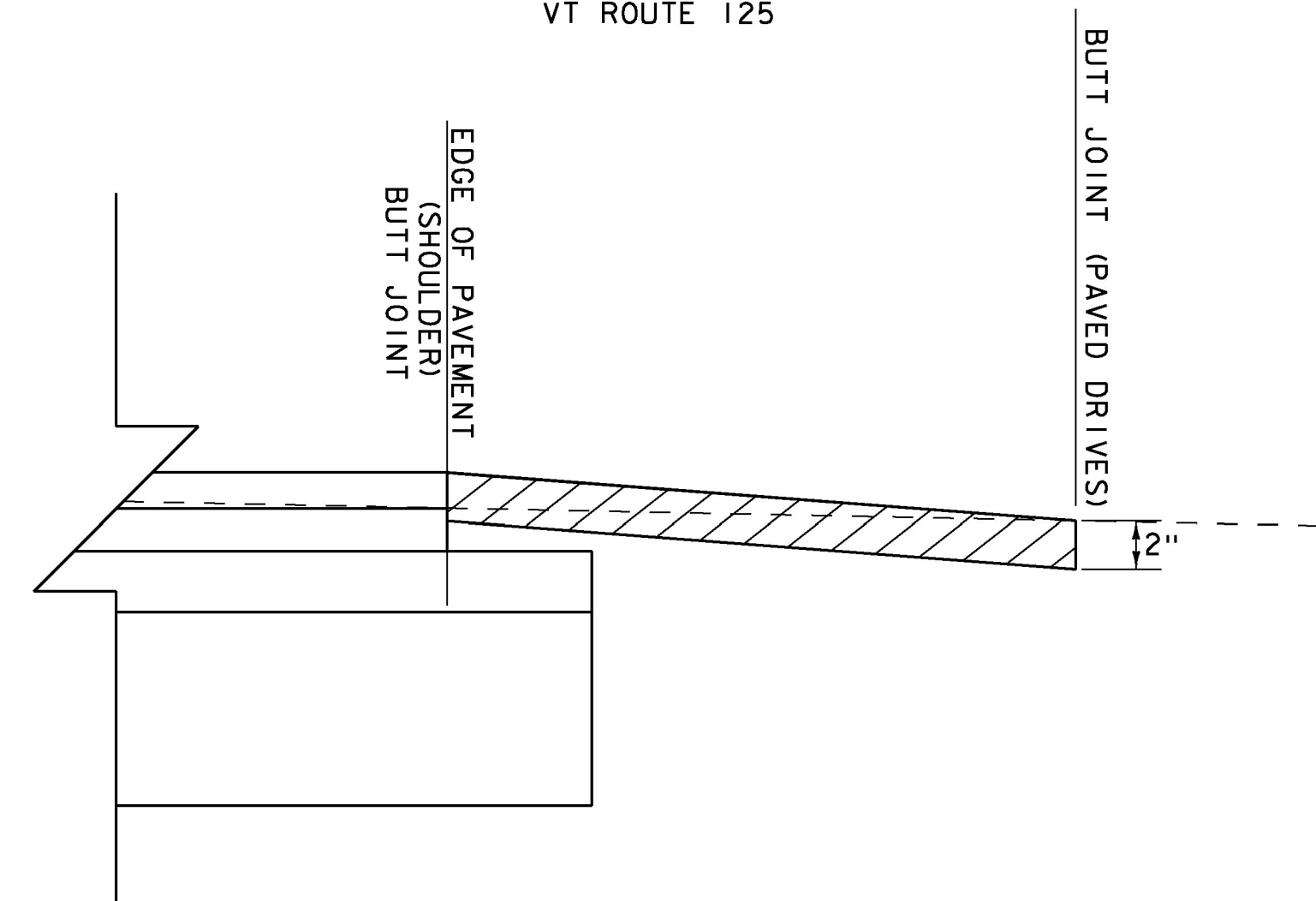
STATION	POSITION	TYPE	QUANTITY (SY)
267+02	LT	GRAVEL	19.5
270+50	LT	GRAVEL	40.1
272+12	LT	GRAVEL	17.8
282+06	LT	GRAVEL	14.7
282+64	RT	GRAVEL	19.8
283+56	LT	GRAVEL	13.8
286+32	LT	FIELD	3.4
288+72	LT	GRAVEL	10.7
291+98	LT	GRAVEL	19.0
294+77	LT	GRAVEL	15.8
295+16	LT	GRAVEL	5.1
295+26	RT	GRAVEL	8.1
295+95	LT	FIELD	4.8
299+15	LT	GRAVEL	13.9
302+46	LT	PAVED	11.6
306+00	LT	GRAVEL	8.9
308+27	RT	GRAVEL	24.9
308+57	LT	FIELD	14.6
309+80	RT	FIELD	5.5
310+32	LT	GRAVEL	21.0
314+97	LT	GRAVEL	10.9
317+97	RT	GRAVEL	6.1
318+70	RT	GRAVEL	15.1
319+22	RT	FIELD	3.2
319+75	LT	GRAVEL	12.8
338+54	LT	GRAVEL	12.6

STATION	POSITION	TYPE	QUANTITY (SY)
340+25	LT	GRAVEL	10.6
340+87	LT	GRAVEL	16.3
344+31	LT	FIELD	4.4
348+39	LT	FIELD	4.1
349+06	RT	GRAVEL	5.7
349+25	LT	FIELD	4.7
350+60	LT	GRAVEL	19.2
353+95	LT	FIELD	3.7
356+66	LT	GRAVEL	8.3
359+81	LT	PAVED	22.4
361+91	LT	PAVED	12.3
367+95	LT	PAVED	9.8
371+09	LT	PAVED	13.4
372+05	LT	GRAVEL	11.6
373+90	LT	GRAVEL	8.7
375+22	LT	GRAVEL	9.5
375+87	LT	PAVED	26.4
376+82	LT	GRAVEL	16.2
377+37	LT	GRAVEL	13.4
378+67	LT	GRAVEL	16.7
378+90	RT	GRAVEL	6.3
379+67	LT	GRAVEL	9.2
381+25	RT	PAVED	10.8
SUBTOTAL =			1290.8
ROUNDING =			39.2
TOTAL =			1330.0



HANDWORK DETAILS FOR DRIVES - GRAVEL DRIVES

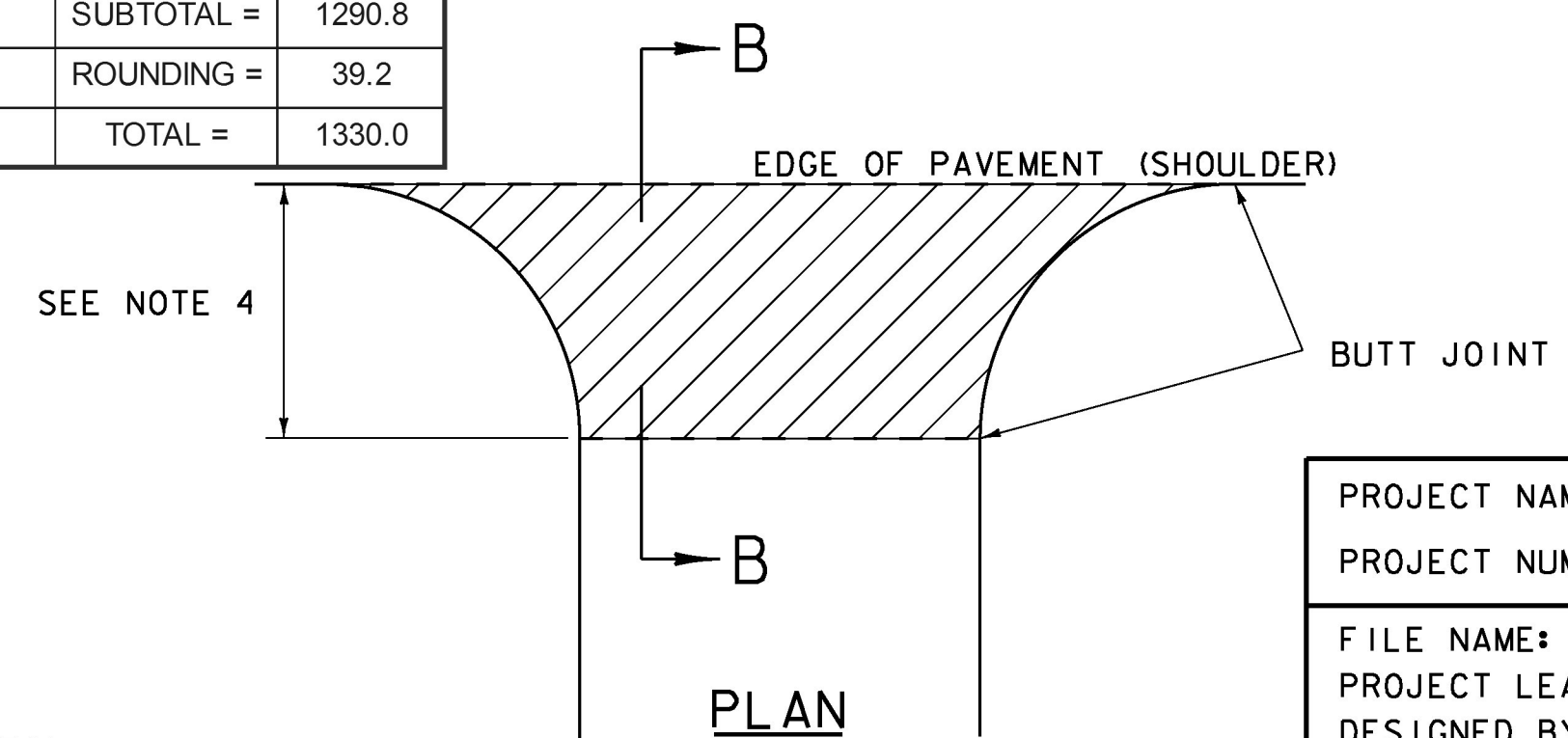
VT ROUTE 125



SECTION B-B

HANDWORK DETAILS FOR DRIVES - PAVED DRIVES

VT ROUTE 125

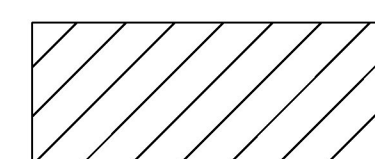


DETAILS ARE NOT TO SCALE

NOTES:

- PAVING LIFT NOT TO EXCEED 2".
- THE COST OF PLACING SUBBASE MATERIAL, CLEANING EXISTING PAVED SURFACES, INCLUDING POWER EQUIPMENT, AND FOR FILLING JOINTS, CRACKS AND HOLES WILL NOT BE PAID DIRECTLY BUT WILL BE CONSIDERED INCIDENTAL TO ITEM 900.675 "SPECIAL PROVISION (HAND-PLACED BITUMINOUS CONCRETE MATERIAL, DRIVES)".
- EXCAVATION OR FILL NEEDED TO ACHIEVE PROPER DRIVE SLOPES WILL NOT BE PAID DIRECTLY BUT WILL BE CONSIDERED INCIDENTAL TO ITEM 900.675 "SPECIAL PROVISION (HAND-PLACED BITUMINOUS CONCRETE MATERIAL, DRIVES)".
- FIELD DRIVES 2'-0"; RESIDENTIAL AND COMMERCIAL DRIVES 4'-0"; OR AS DIRECTED BY THE ENGINEER.

LEGEND



ITEM 900.675 "SPECIAL PROVISION (HAND-PLACED BITUMINOUS CONCRETE MATERIAL, DRIVES)"

PROJECT NAME:	HANCOCK	PLOT DATE:	3/18/2015
PROJECT NUMBER:	STP 2923 (1)	DRAWN BY:	J. GOODALL
FILE NAME:	z10c252def.dgn	DESIGNED BY:	B. MARTIN
PROJECT LEADER:	C. LATHROP	CHECKED BY:	C. LATHROP
HANDWORK DETAILS FOR DRIVES		SHEET	30 OF 207