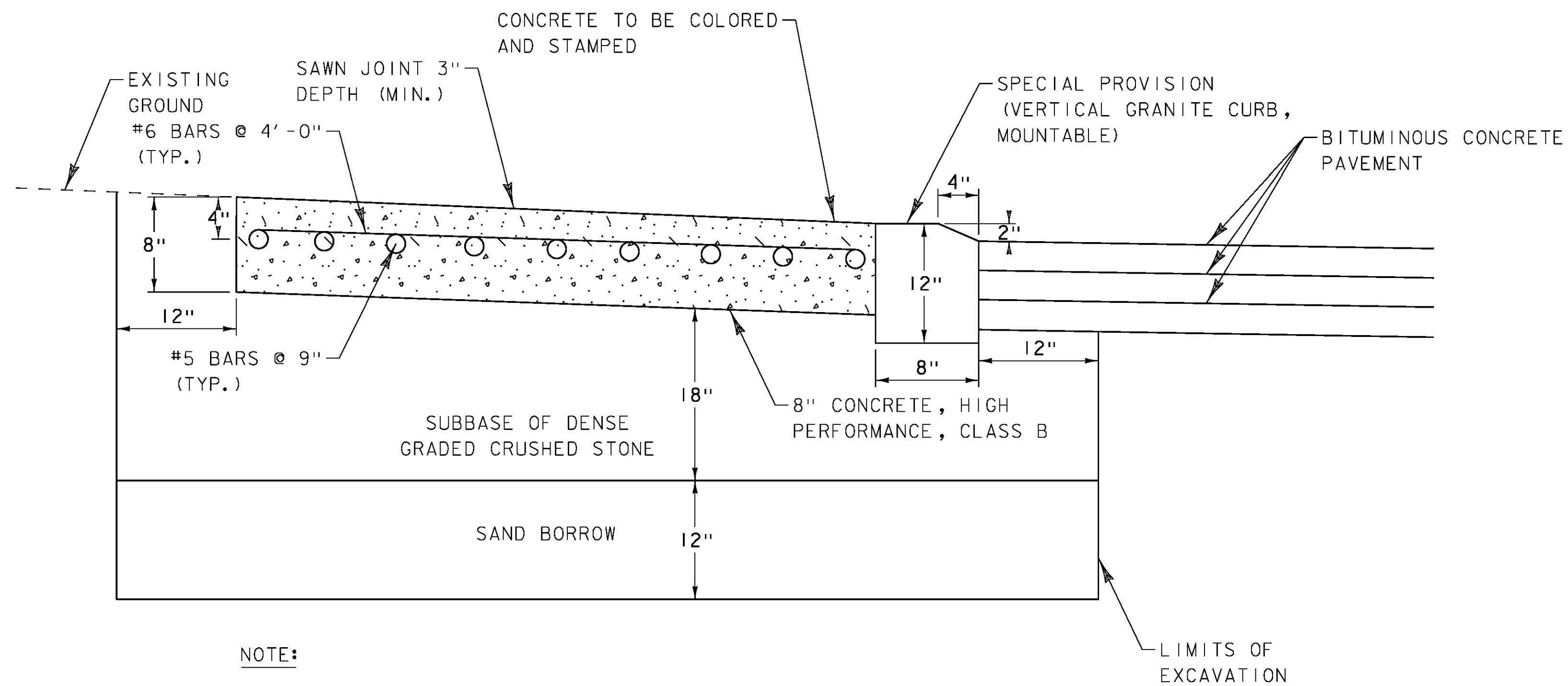


| | | | |
|---------------------------------|--|------------------------------------|-------------------|
| VERTICAL GRANITE CURB ISLAND | 900.680 SPECIAL PROVISION (RSB SUPPLEMENTAL AGGREGATE MATERIAL) | 616.21 VERTICAL GRANITE CURB | 651.35 TOPSOIL |
| | TON | LF | CY |
| STA. 380+50 - STA. 381+20 LT | 60 | 146 | 3.8 |

GRANITE CURB ISLAND DETAIL

STA. 380+50 - STA. 381+20 LT



| | | | | |
|---|-----------------------|--|---|---|
| SPECIAL PROVISION (STAMPED COLORED CONCRETE APRON, 8 INCH) | 203.31 SAND BORROW | 301.35 SUBBASE DENSE GRADED CRUSHED STONE | 900.640 SPECIAL PROVISION (VERTICAL GRANITE CURB, MOUNTABLE) | 900.675 SPECIAL PROVISION (STAMPED COLORED CONCRETE APRON, 8 INCH) |
| | CY | TON | LF | SY |
| STA. 381+87 - STA. 382+43 RT | 30.7 | 46.1 | 95 | 71.4 |

NOTE:

1. REINFORCING STEEL SHALL MEET THE REQUIREMENTS OF SECTION 507 FOR LEVEL 1 EPOXY COATED CONCRETE REINFORCING AND WILL BE PAID UNDER CONTRACT ITEM 900.675 "SPECIAL PROVISION (STAMPED COLORED CONCRETE ISLAND, 8 INCH)".
2. THE COLOR OF THE CONCRETE AGGREGATE SHALL MATCH THAT OF THE COLORED CONCRETE.

SPECIAL PROVISION (STAMPED COLORED CONCRETE APRON, 8 INCH)

STA. 381+87 - STA. 382+43 RT

NOT TO SCALE

| | |
|------------------------------|------------------------|
| PROJECT NAME: HANCOCK | PLOT DATE: 3/18/2015 |
| PROJECT NUMBER: STP 2923 (1) | DRAWN BY: J. GOODALL |
| FILE NAME: z10c252det.dgn | CHECKED BY: C. LATHROP |
| DESIGNED BY: B. MARTIN | SHEET 10 OF 207 |
| PROJECT DETAIL SHEET 2 | |