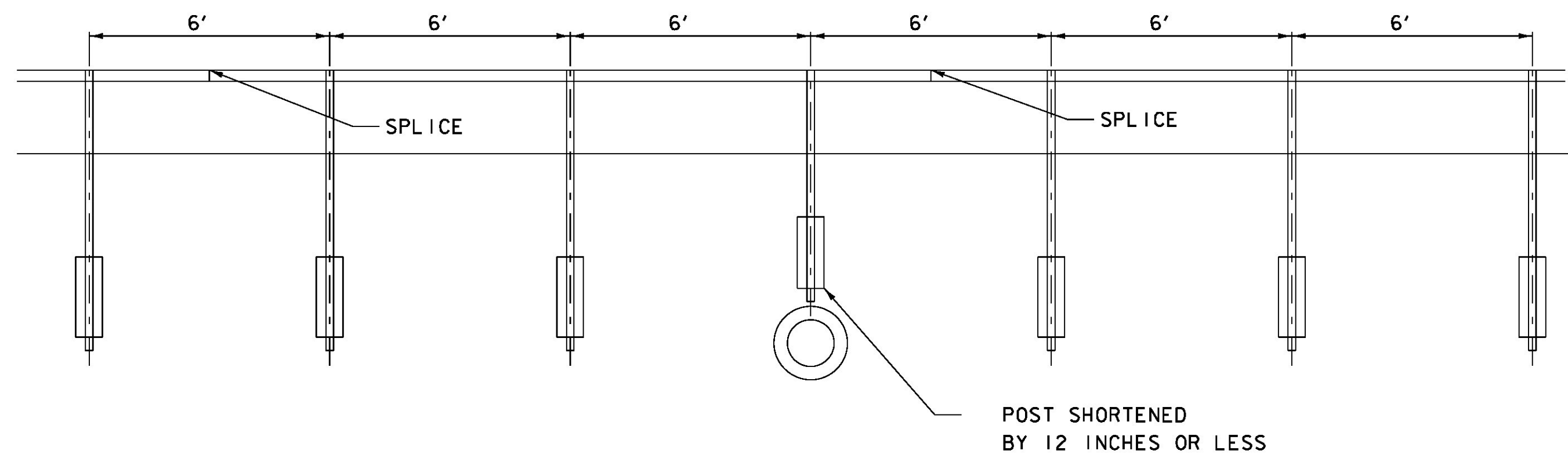


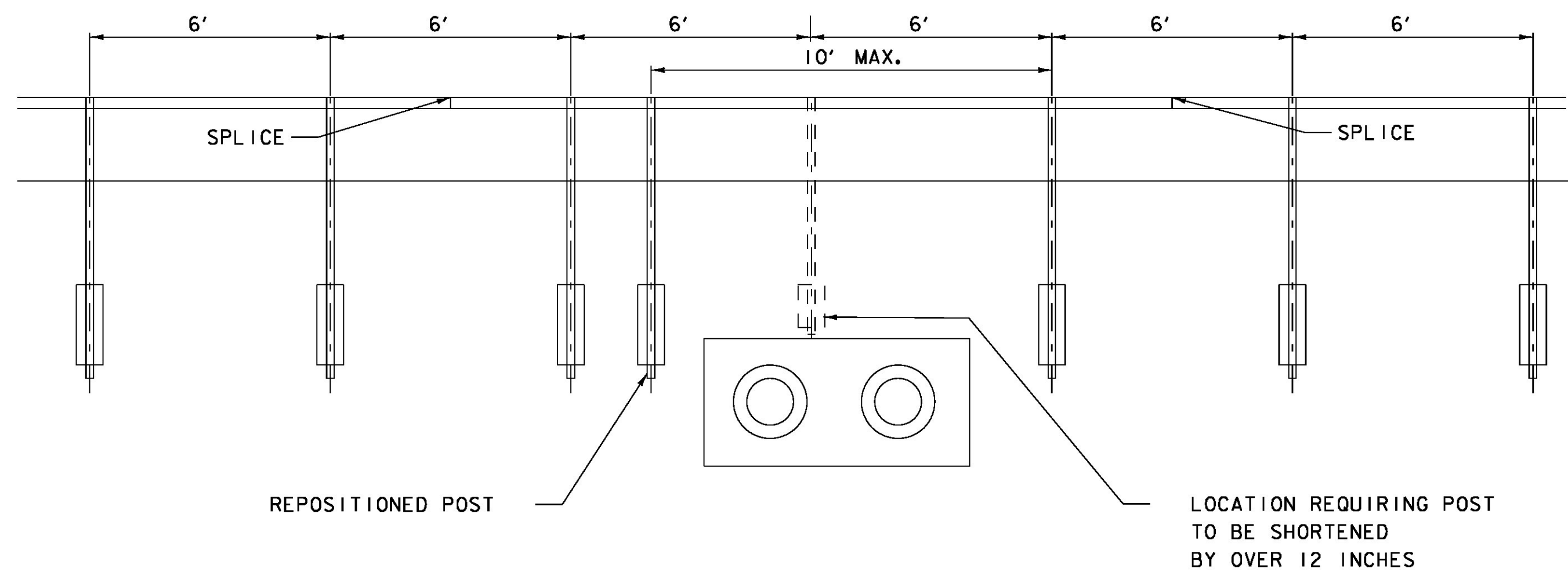
TYPICAL POST SPACING 6 FT



A-1

TYPICAL POST SPACING 6 FT

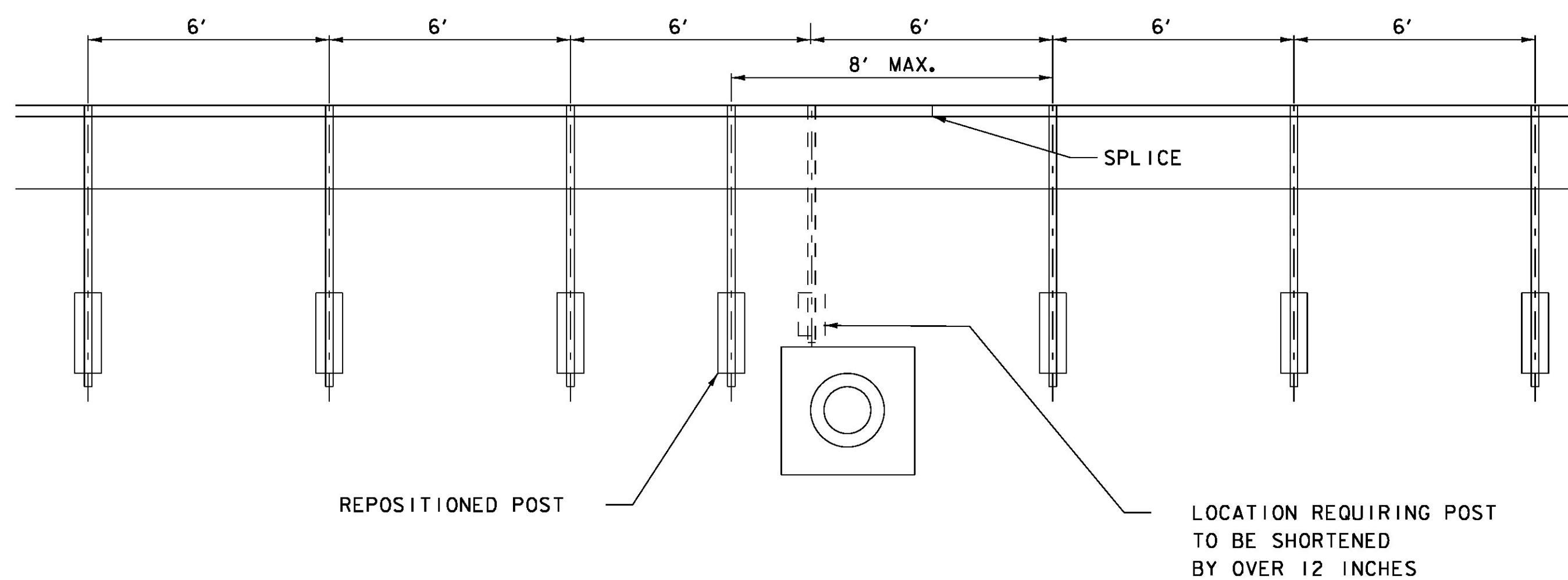
ASSUME STANDARD DEFLECTION = 5'



A-2

TYPICAL POST SPACING 6 FT

ASSUME STANDARD DEFLECTION = 5'

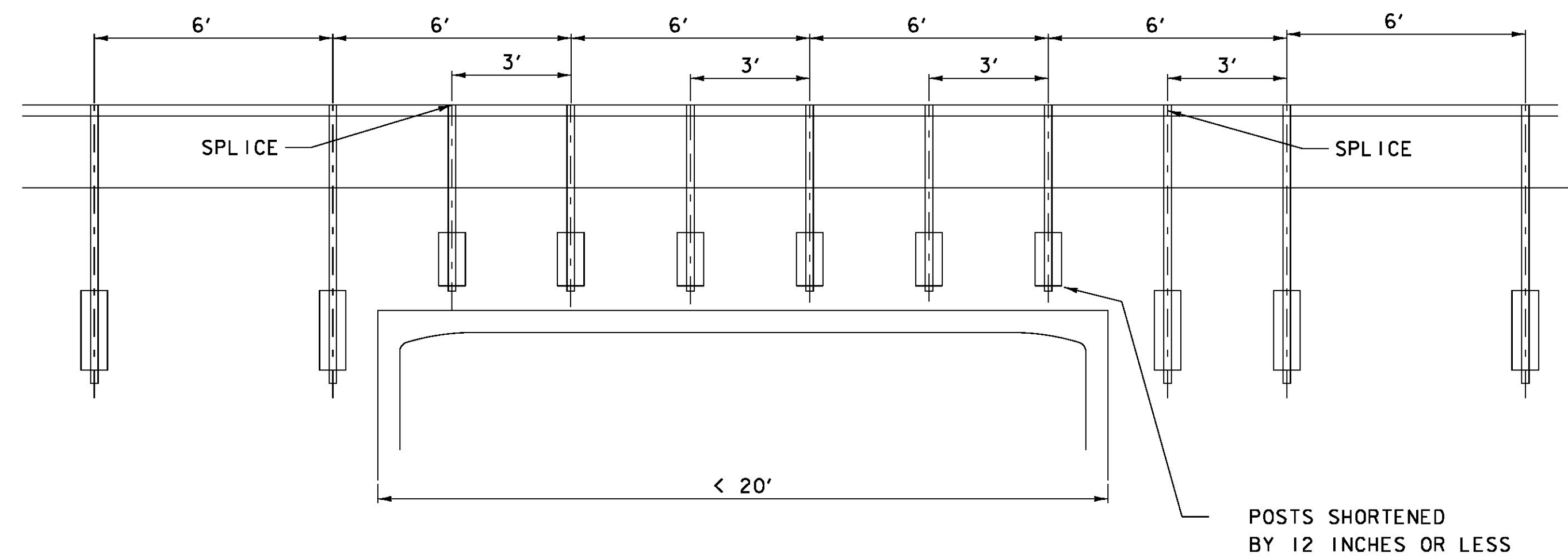


A-3

ASSUME STANDARD DEFLECTION = 5'

**BOX BEAM GUARD RAIL
OVER SHALLOW OBSTRUCTIONS DETAIL**

ITEM 900.640 SPECIAL PROVISION (BOX BEAM GUARDRAIL W/7 FEET POSTS)



C-3

ASSUME STANDARD DEFLECTION = 5'

**BOX BEAM GUARD RAIL
OVER SHALLOW WIDE OBSTRUCTIONS DETAIL**

ITEM 900.640 SPECIAL PROVISION (BOX BEAM GUARDRAIL W/7 FEET POSTS)

NOTE: SEE VTRANS STANDARD G-1BM FOR END SECTION DETAILS.

NOT TO SCALE

PROJECT NAME:	HANCOCK
PROJECT NUMBER:	STP 2923 (1)
FILE NAME:	z10c252typ.dgn
PROJECT LEADER:	C. LATHROP
DESIGNED BY:	B. MARTIN
PROJECT TYPICAL SHEET 4	
PLOT DATE:	3/18/2015
DRAWN BY:	J. GOODALL
CHECKED BY:	C. LATHROP
SHEET 7	OF 207