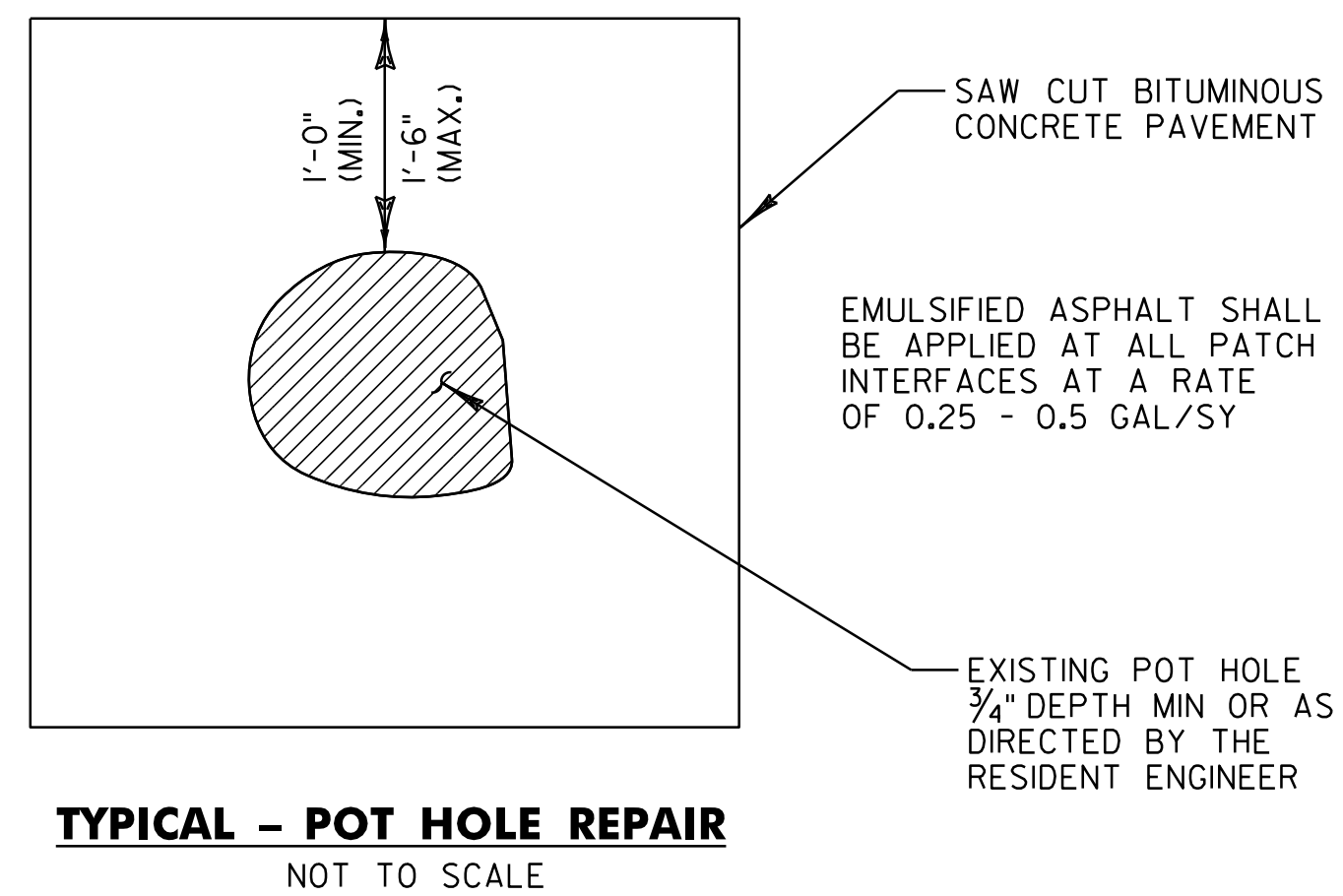


**DETAIL OF ITEM 900.640 SPECIAL PROVISION (DURABLE CROSSWALK MARKING, IMPRINTED/COLORIZED)**

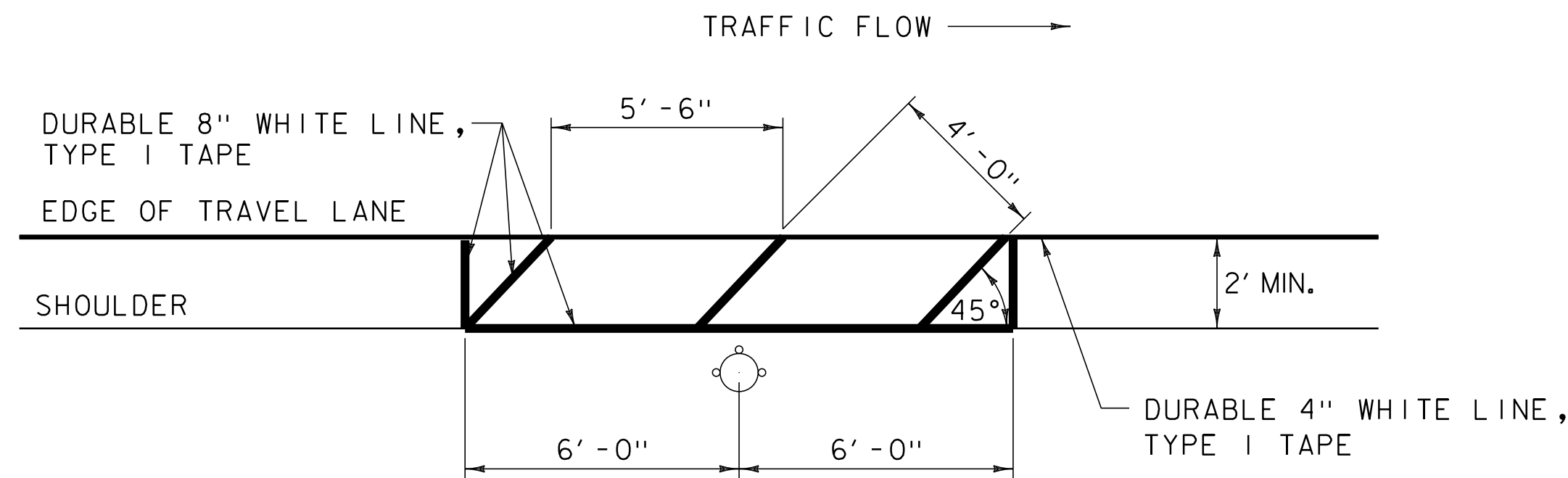
VT ROUTE 12 BETHEL  
 STA. 80+32 LT & RT  
 STA. 84+32 LT & RT  
 STA. 86+13 LT & RT  
 STA. 88+80 LT & RT  
 STA. 90+82 LT - STA. 90+85 RT

**NOTES:**

1. PERMANENT CROSSWALKS SHALL HAVE A DURABLE 12 INCH WIDE THERMOPLASTIC WHITE LINE PLACED ON THE OUTSIDE EDGES OF THE INLAID BRICK PATTERN INCIDENTAL TO PAY ITEM 900.640 "SPECIAL PROVISION (DURABLE CROSSWALK MARKING, IMPRINTED/COLORIZED)".
2. THE PER FOOT COST OF INSTALLED PERMANENT CROSSWALK MARKINGS, SHALL BE PAID AS ITEM 900.640 SPECIAL PROVISION (DURABLE CROSSWALK MARKING, IMPRINTED/COLORIZED).
3. TEMPORARY CROSSWALK MARKINGS SHALL ONLY CONSIST OF 12" WIDE WHITE LINE ON THE OUTSIDE EDGES AS SHOWN ABOVE. THE PER FOOT COST OF INSTALLED TEMPORARY CROSSWALK MARKINGS SHALL BE PAID UNDER ITEM 646.702 "TEMPORARY CROSSWALK MARKING, PAINT".



NOTE: POT HOLE REPAIR PAID UNDER ITEM 900.680 SPECIAL PROVISION (BITUMINOUS CONCRETE PAVEMENT SURFACE PREPARATION, TYPE 1)



**FIRE HYDRANT PAVEMENT MARKING DETAIL**

**NOTE:**

1. THE CONTRACTOR SHALL ADJUST THE PLACEMENT OF THE FIRE HYDRANT PAVEMENT MARKINGS TO MEET THE EXISTING SITE CONSTRAINTS AS DIRECTED BY THE RESIDENT ENGINEER.

**NOT TO SCALE**

<b>MISCELLANEOUS DETAIL SHEET 2</b>	PROJECT NAME: BETHEL - RANDOLPH - NORTHFIELD	
	PROJECT NUMBER: STP 2922 (I)	
	FILE NAME: p10C246.dgn	PLOT DATE: 1/3/13
	PROJECT LEADER: CDL	DRAWN BY: JBG
	DESIGNED BY: SJL	CHECKED BY: CDL
	PLOT FILE: p10C246_I42.1	SHEET 142 OF 149