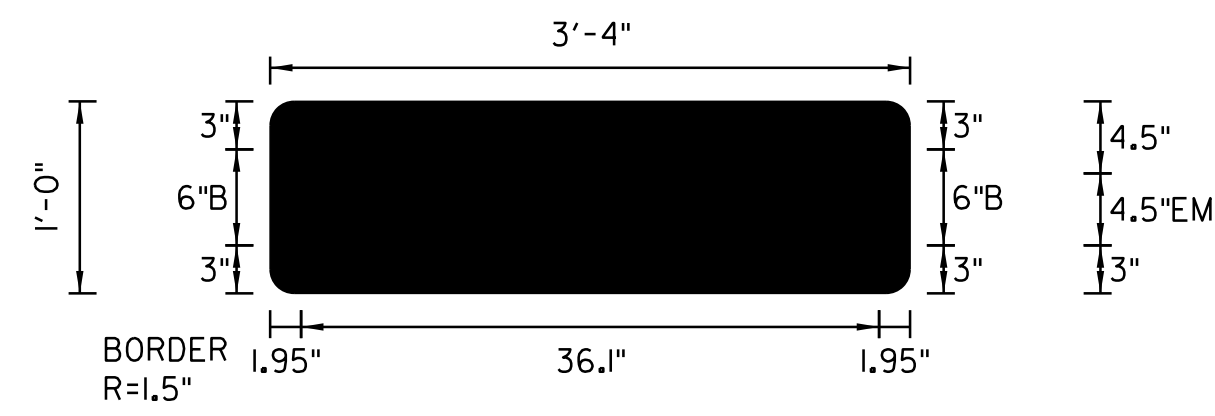
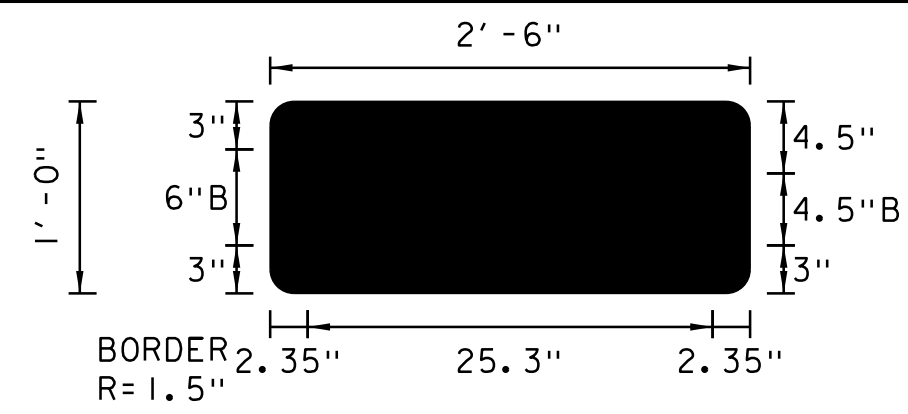


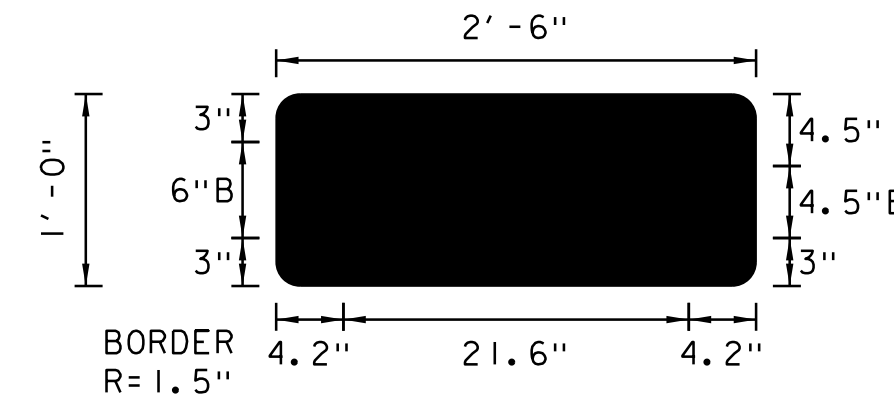
RANDOLPH SIGNS



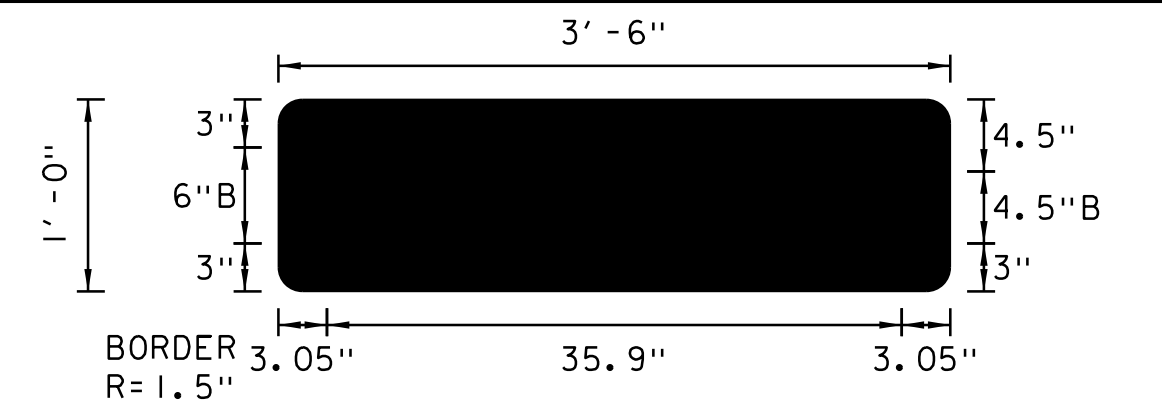
Panel Style: Street Name 8-6in no border.ssi
M.U.T.C.D.: 2009 Edition



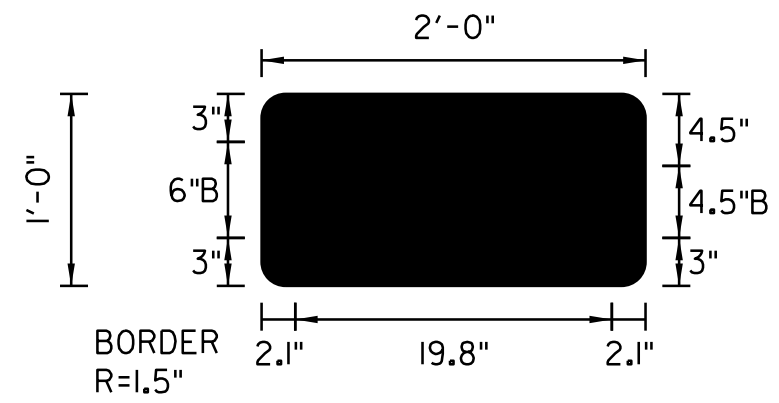
Panel Style: Street Name 6-4in no border.ssi
M.U.T.C.D.: 2009 Edition



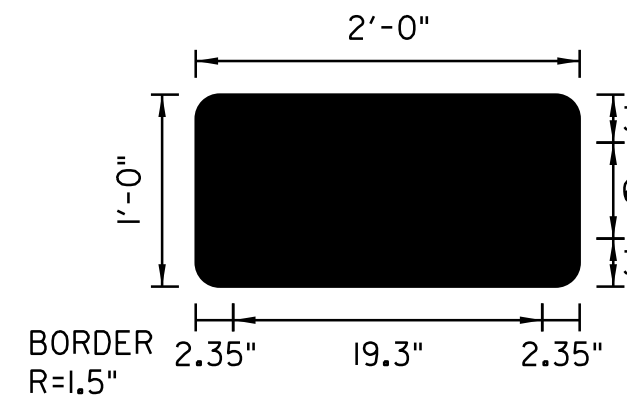
Panel Style: Street Name 6-4in no border.ssi
M.U.T.C.D.: 2009 Edition



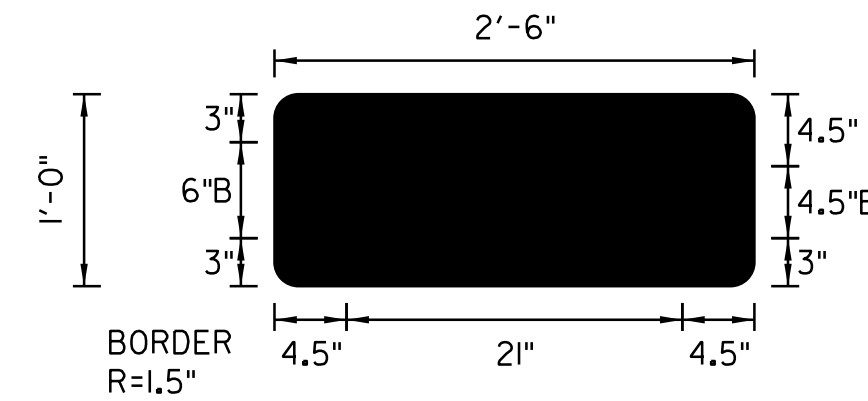
Panel Style: Street Name 6-4in no border.ssi
M.U.T.C.D.: 2009 Edition



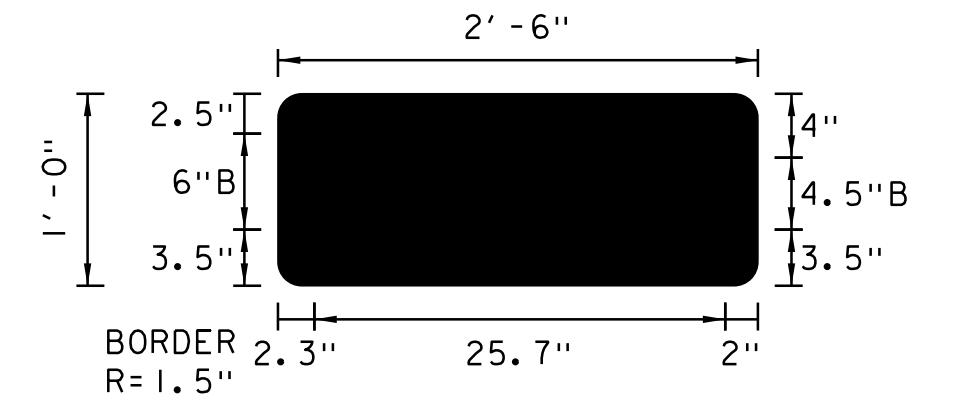
Panel Style: Street Name 6-4in no border.ssi
M.U.T.C.D.: 2009 Edition



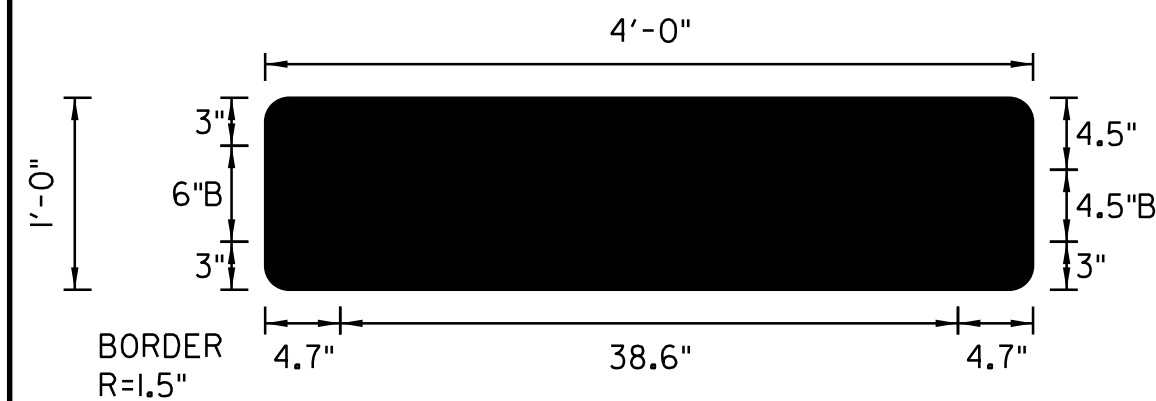
Panel Style: Street Name 6-4in no border.ssi
M.U.T.C.D.: 2009 Edition



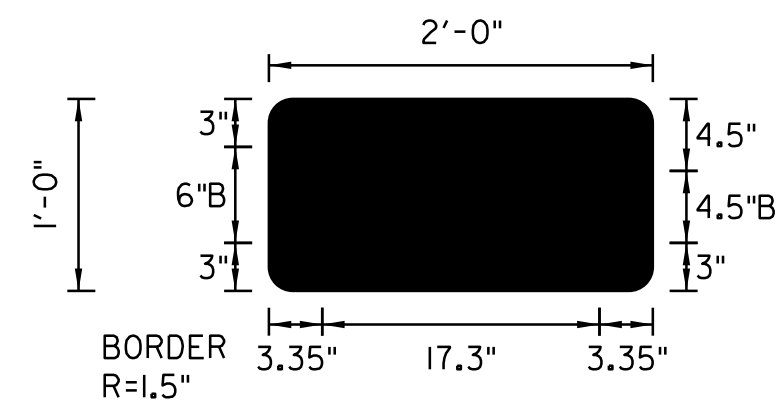
Panel Style: Street Name 6-4in no border.ssi
M.U.T.C.D.: 2009 Edition



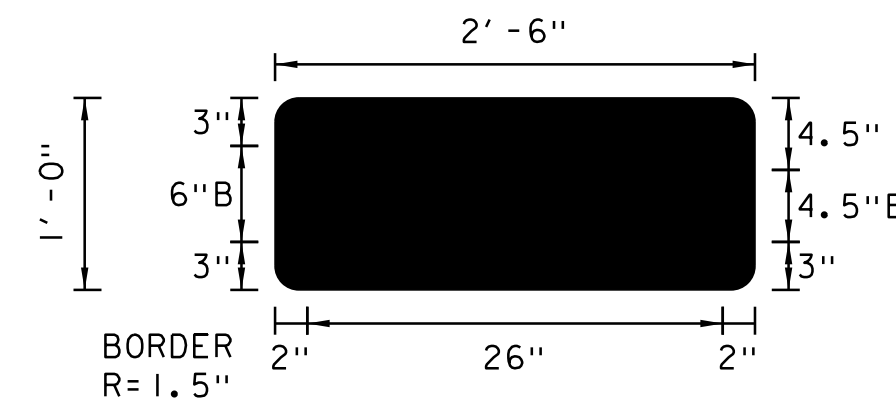
Panel Style: Street Name 6-4in no border.ssi
M.U.T.C.D.: 2009 Edition



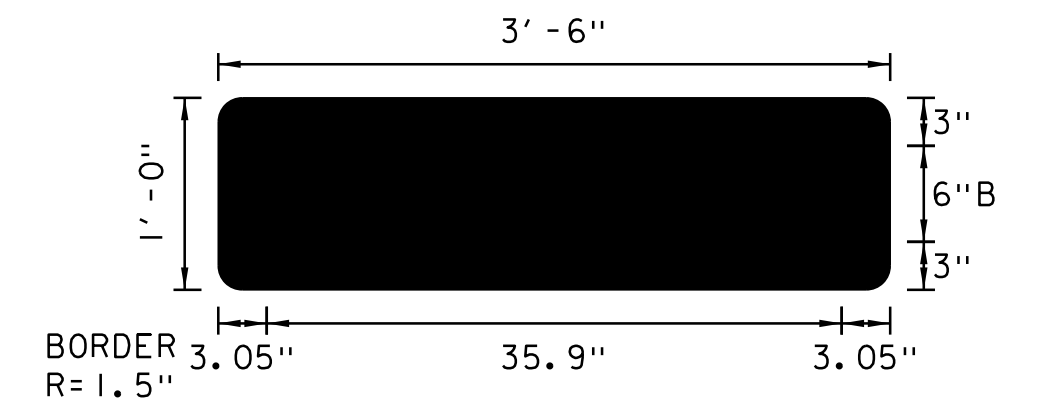
Panel Style: Street Name 6-4in no border.ssi
M.U.T.C.D.: 2009 Edition



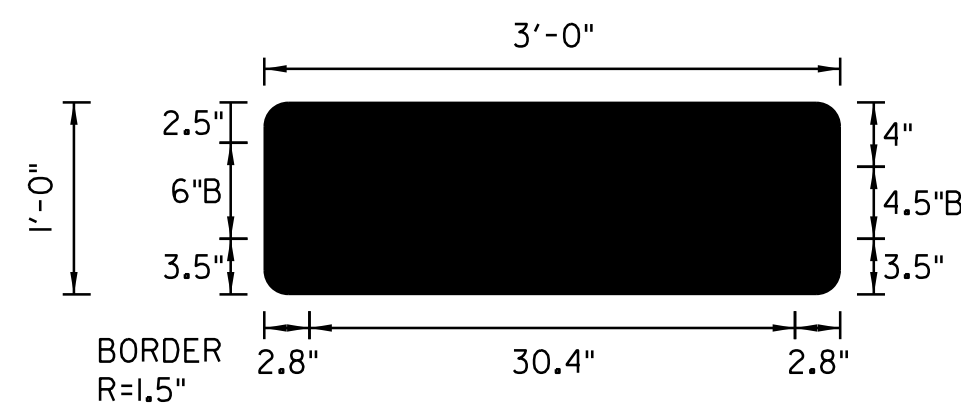
Panel Style: Street Name 6-4in no border.ssi
M.U.T.C.D.: 2009 Edition



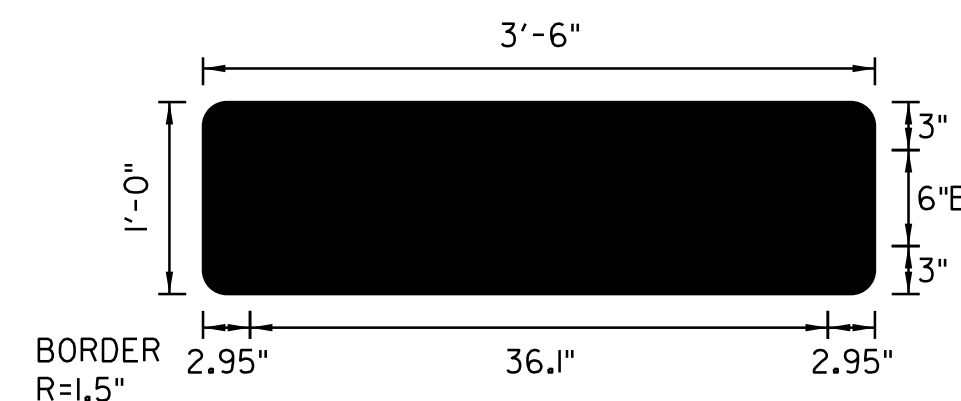
Panel Style: Street Name 6-4in no border.ssi
M.U.T.C.D.: 2009 Edition



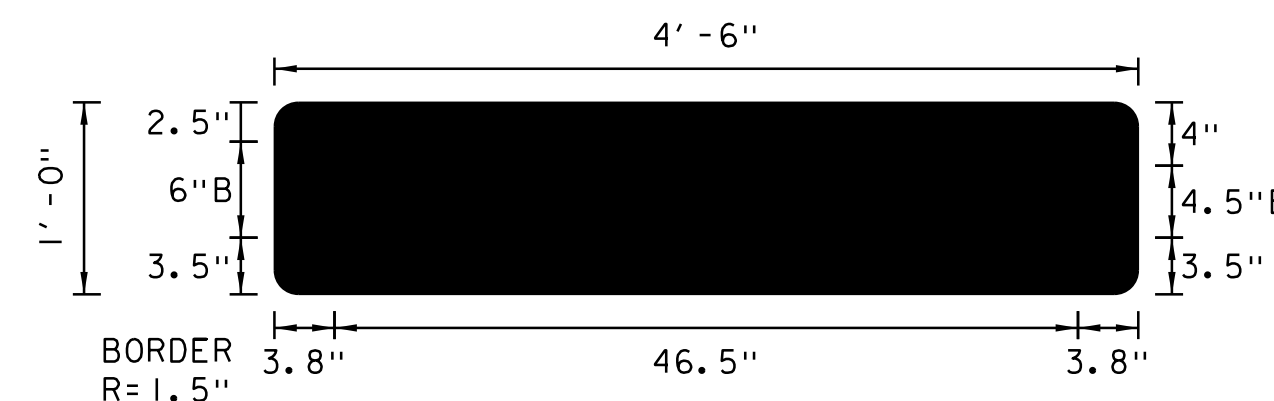
Panel Style: Street Name 6-4in no border.ssi
M.U.T.C.D.: 2009 Edition



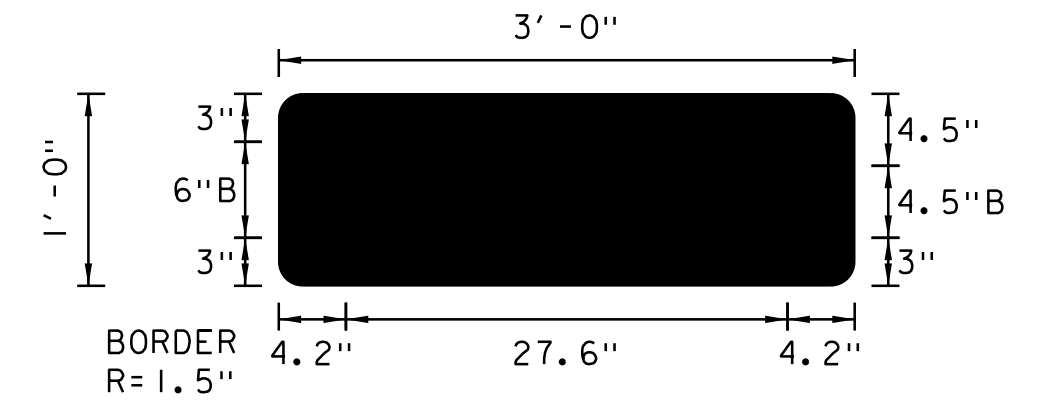
Panel Style: Street Name 6-4in no border.ssi
M.U.T.C.D.: 2009 Edition



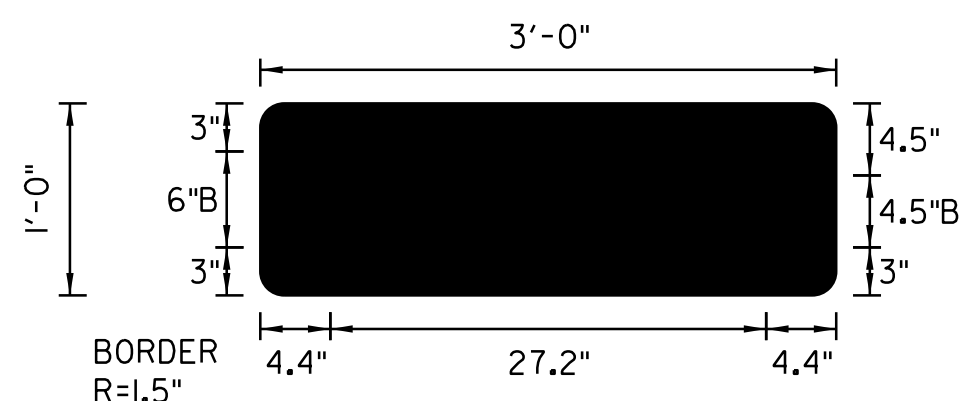
Panel Style: Street Name 6-4in no border.ssi
M.U.T.C.D.: 2009 Edition



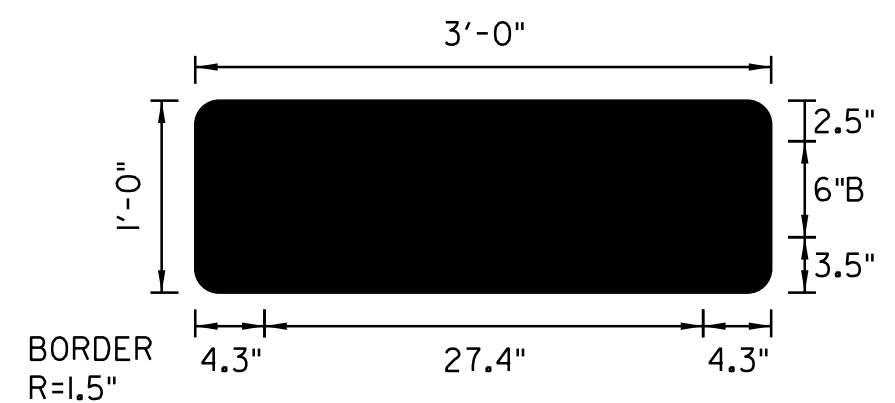
Panel Style: Street Name 6-4in no border.ssi
M.U.T.C.D.: 2009 Edition



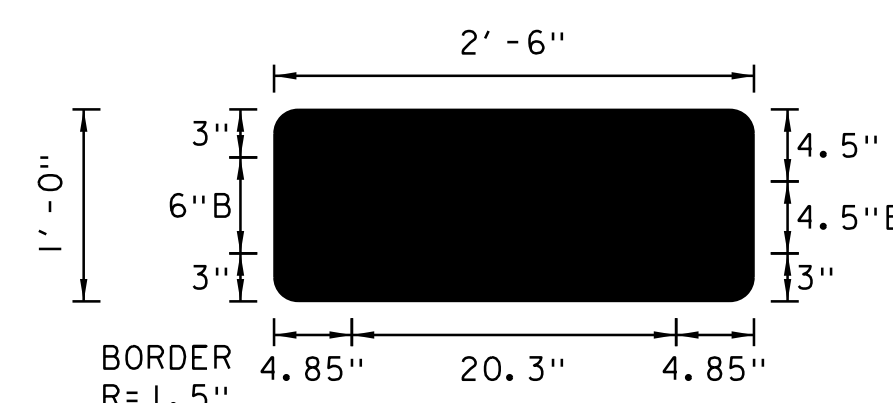
Panel Style: Street Name 6-4in no border.ssi
M.U.T.C.D.: 2009 Edition



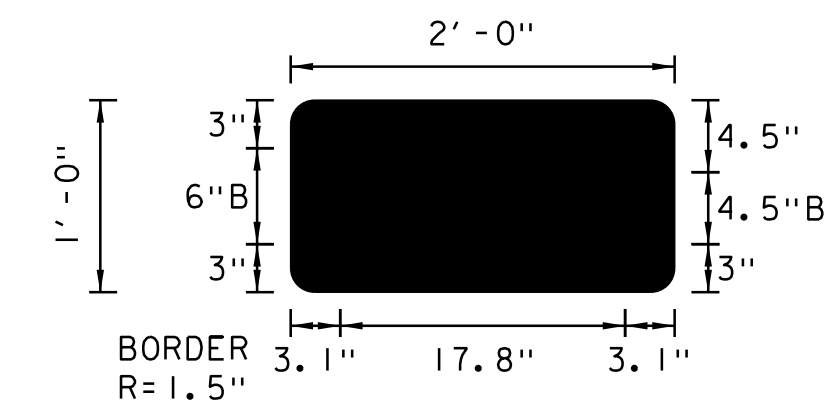
Panel Style: Street Name 6-4in no border.ssi
M.U.T.C.D.: 2009 Edition



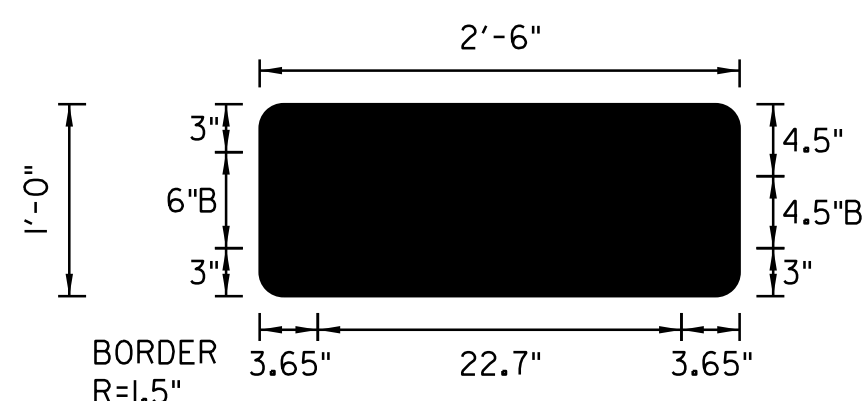
Panel Style: Street Name 6-4in no border.ssi
M.U.T.C.D.: 2009 Edition



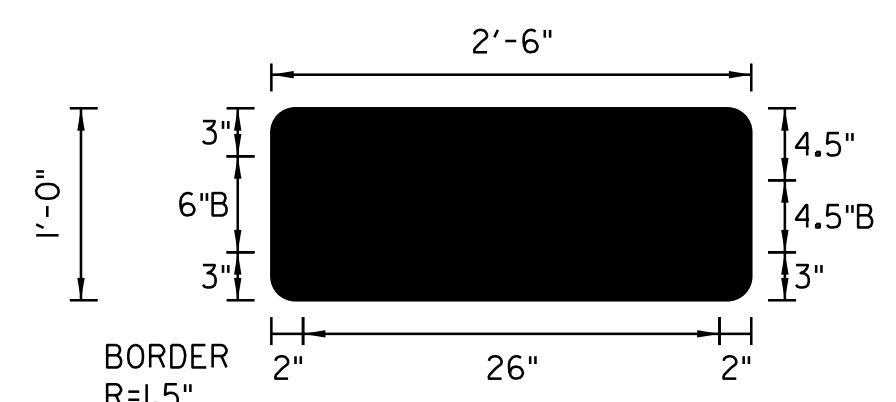
Panel Style: Street Name 6-4in no border.ssi
M.U.T.C.D.: 2009 Edition



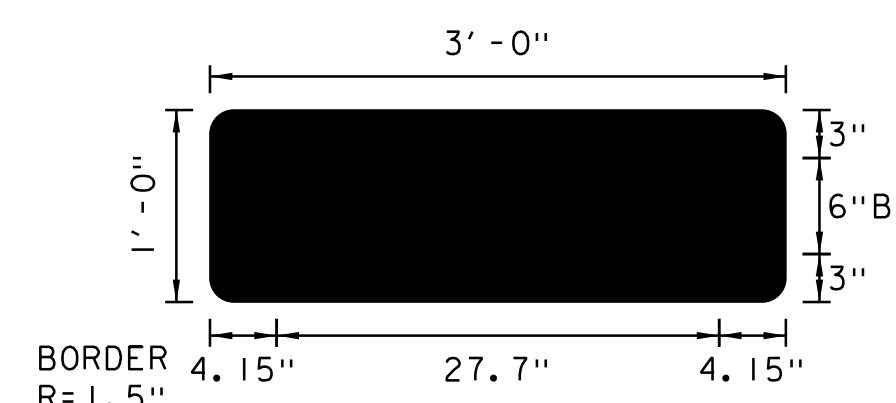
Panel Style: Street Name 6-4in no border.ssi
M.U.T.C.D.: 2009 Edition



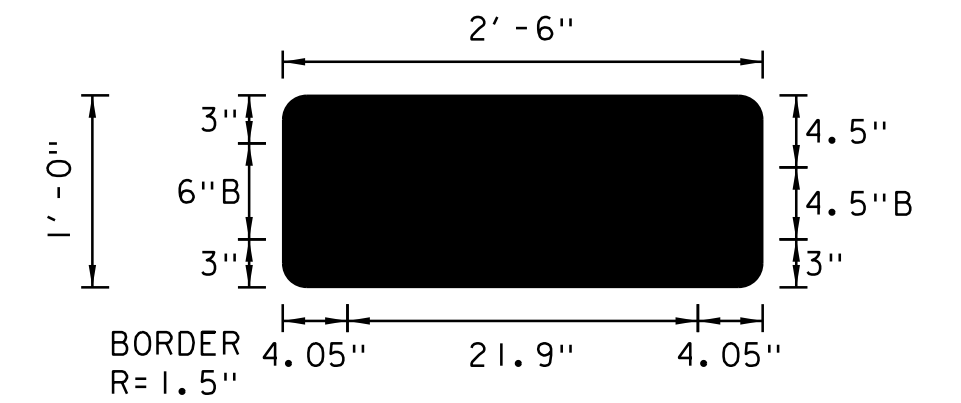
Panel Style: Street Name 6-4in no border.ssi
M.U.T.C.D.: 2009 Edition



Panel Style: Street Name 6-4in no border.ssi
M.U.T.C.D.: 2009 Edition



Panel Style: Street Name 6-4in no border.ssi
M.U.T.C.D.: 2009 Edition



Panel Style: Street Name 6-4in no border.ssi
M.U.T.C.D.: 2009 Edition

NORTHFIELD SIGNS

**TRAFFIC SIGN
DETAIL
SHEET 3**

PROJECT NAME: BETHEL - RANDOLPH - NORTHFIELD
PROJECT NUMBER: STP 2922 (I)
FILE NAME: p10C246.dgn PLOT DATE: 1/3/13
PROJECT LEADER: CDL DRAWN BY: JBG
DESIGNED BY: SJL CHECKED BY: CDL
PLOT FILE: p10C246.I38.1 SHEET 138 OF 149