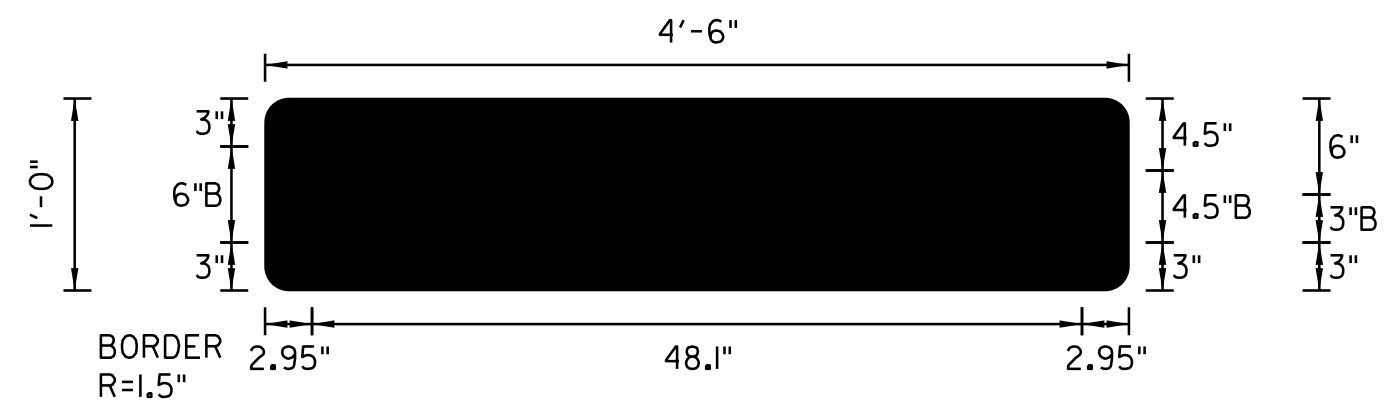
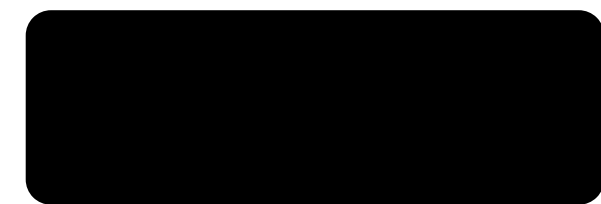
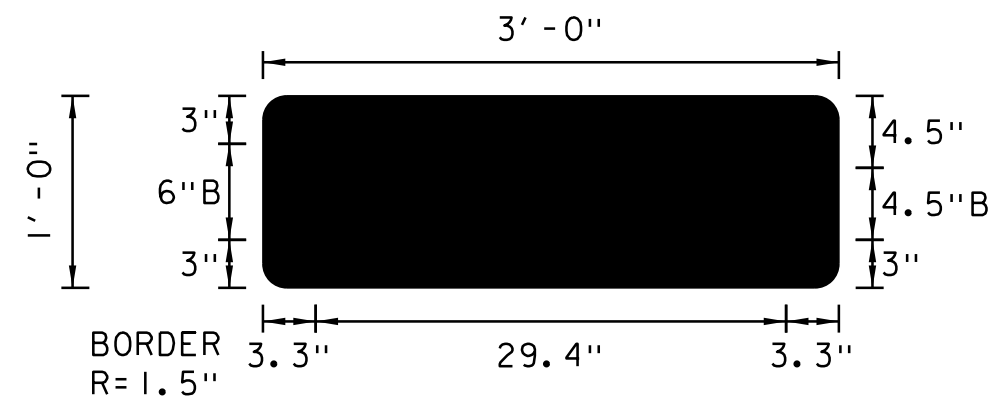
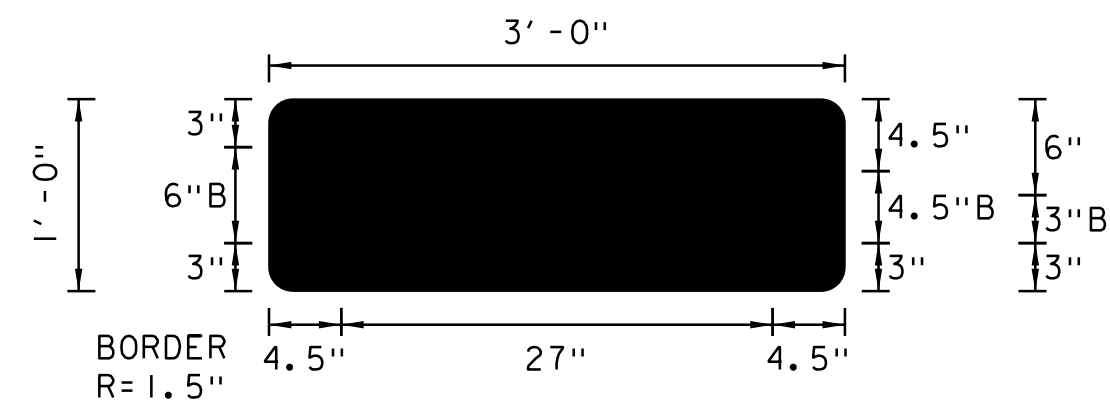
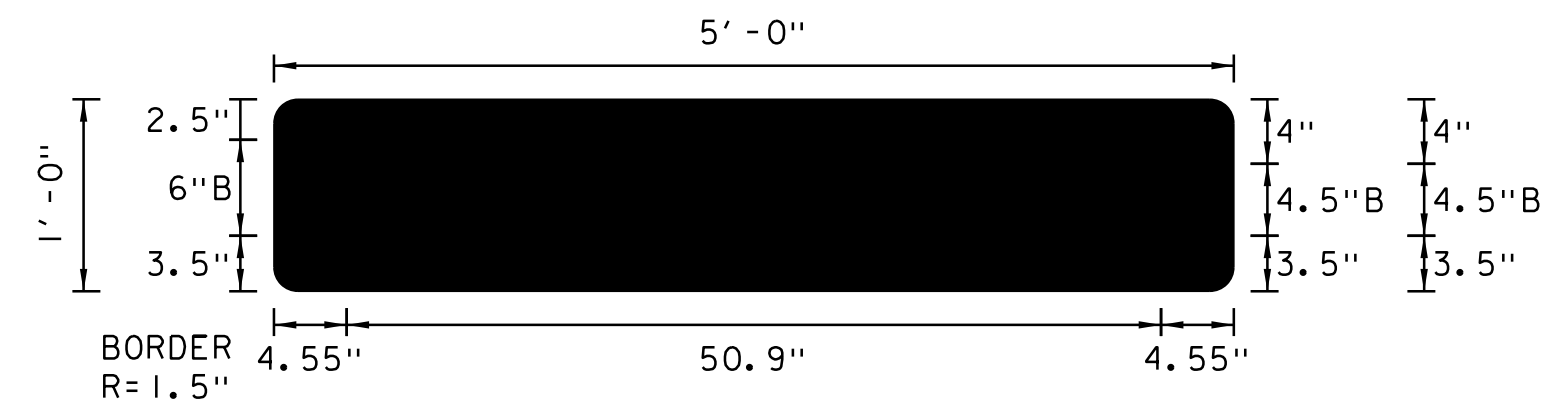


BETHEL SIGNS



**TRAFFIC SIGN
DETAIL
SHEET 2**

PROJECT NAME: BETHEL - RANDOLPH - NORTHFIELD
 PROJECT NUMBER: STP 2922 (I)
 FILE NAME: p10C246.dgn
 PROJECT LEADER: CDL
 DESIGNED BY: SJL
 PLOT FILE: p10C246_137.1
 PLOT DATE: 1/3/13
 DRAWN BY: JBG
 CHECKED BY: CDL
 SHEET 137 OF 149