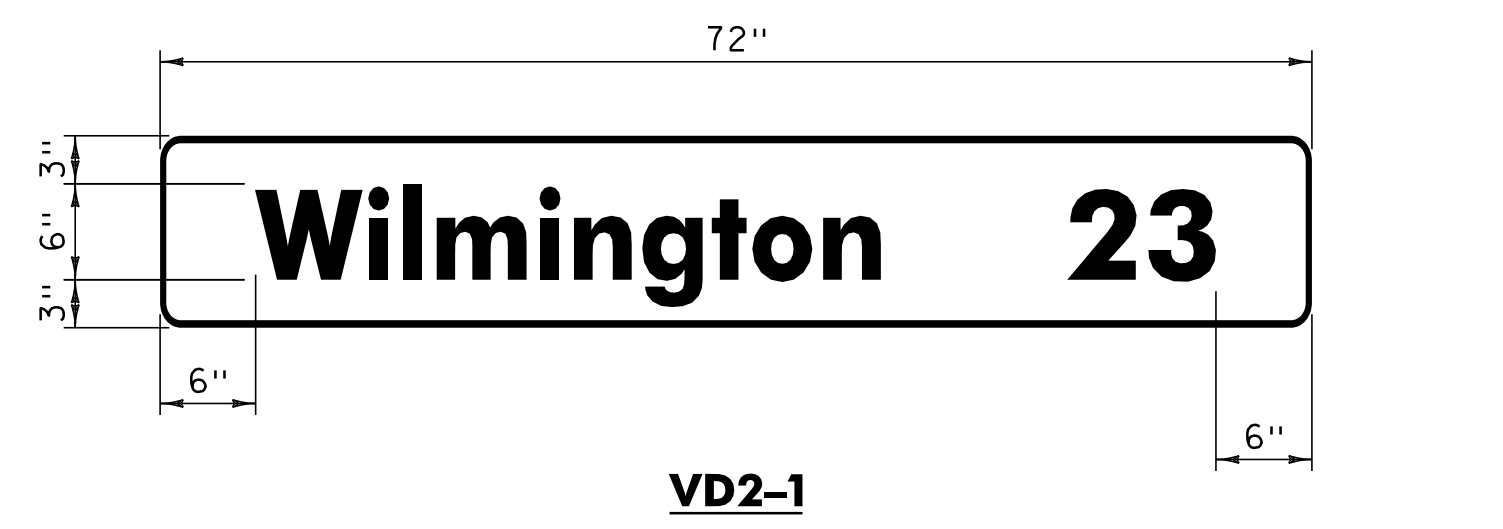
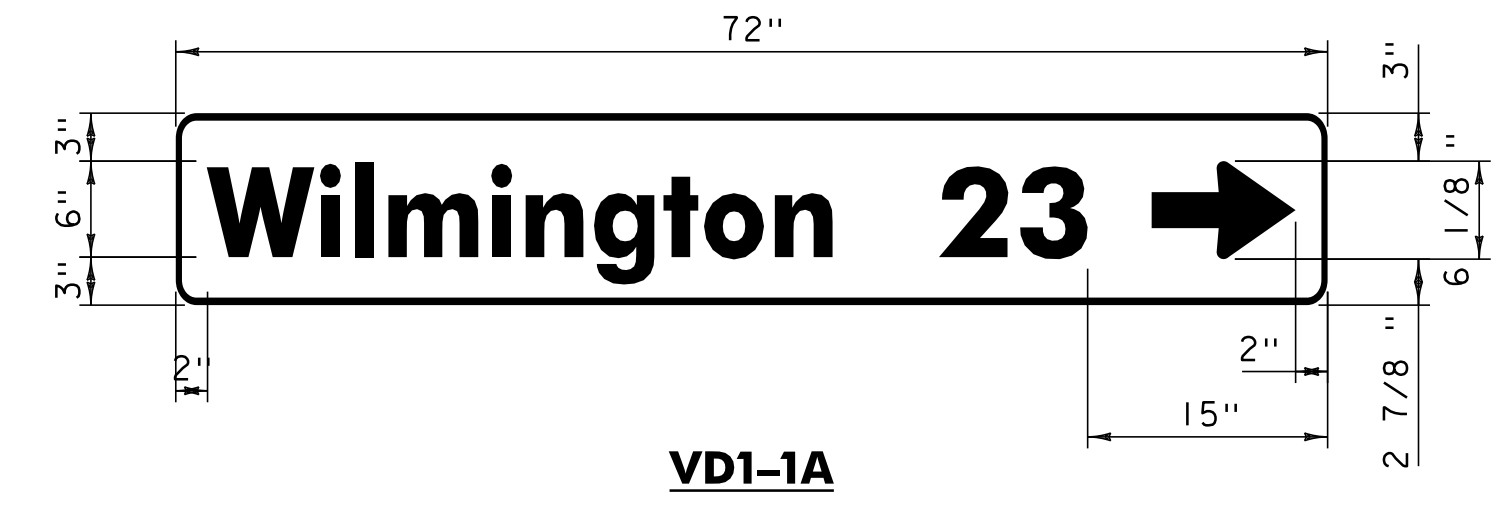
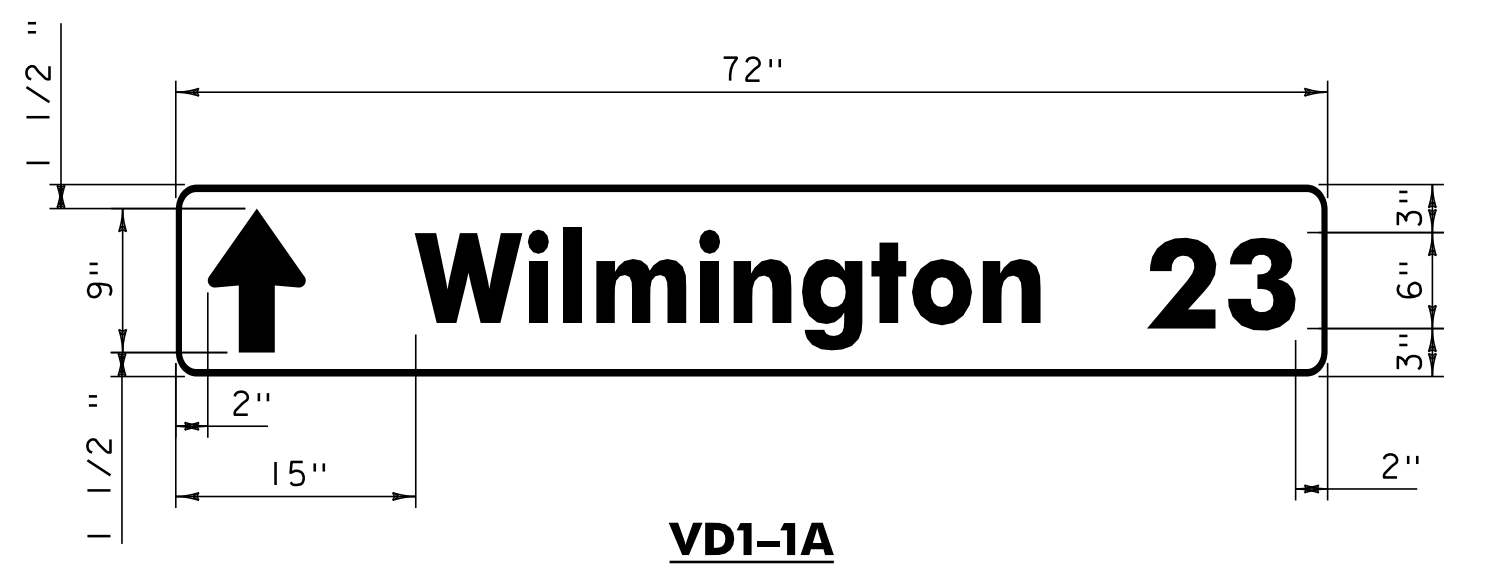
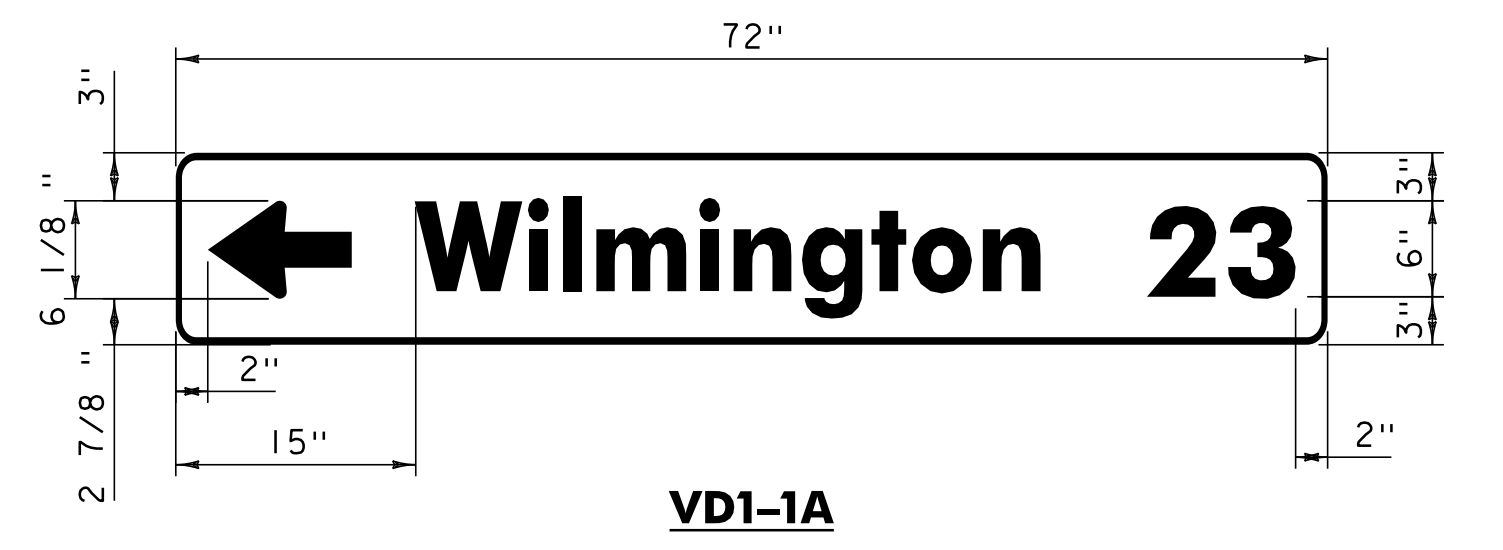
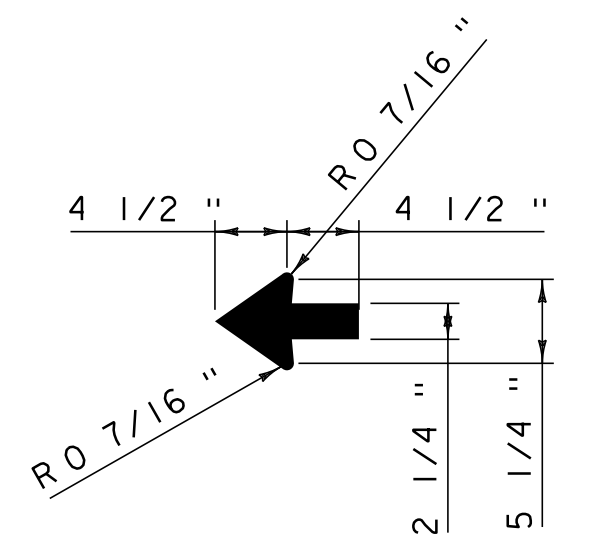
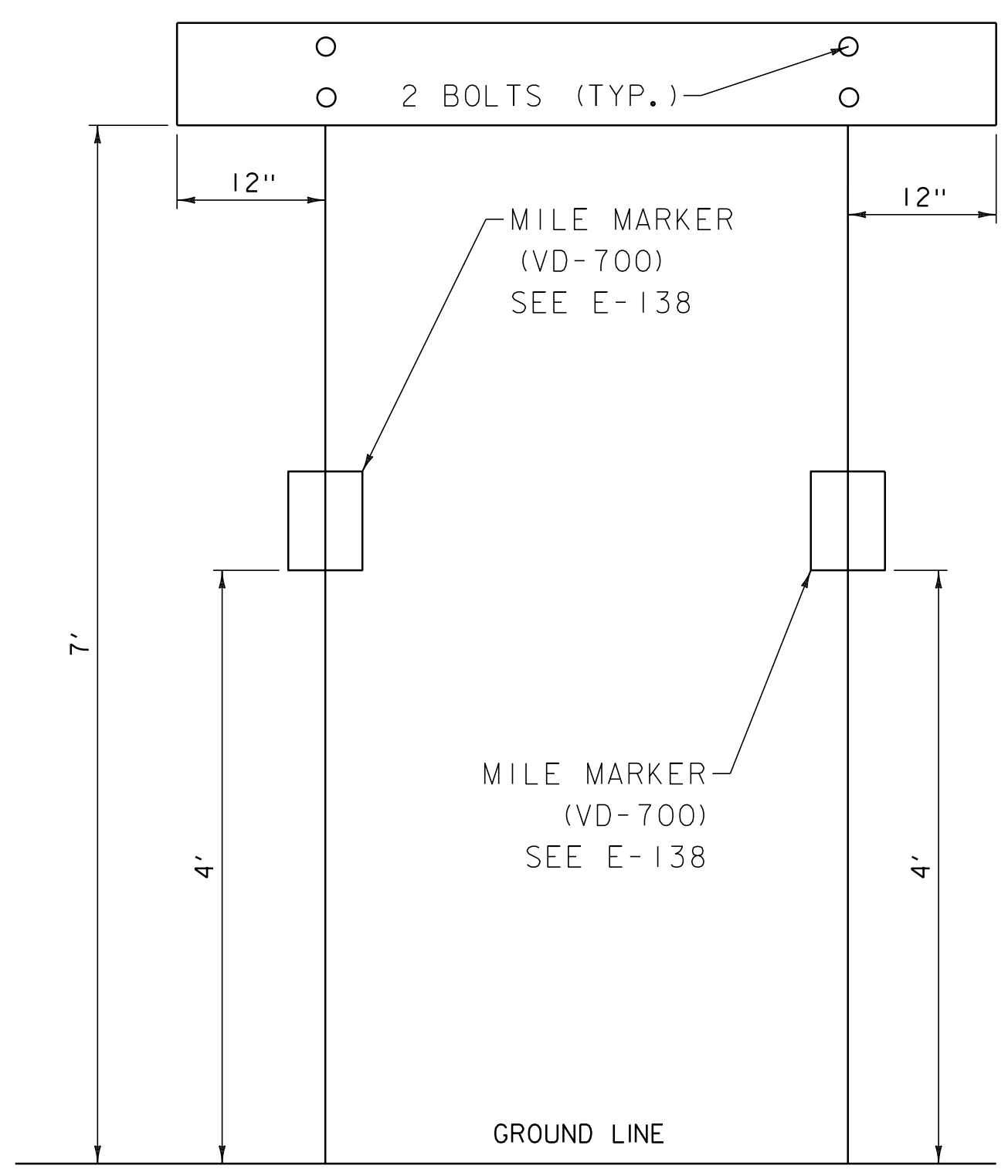


- 1.) WORD TO WORD SPACING FOR COUNTIES AND TWO WORD TOWN NAMES ARE ADJUSTABLE TO ACCOMMODATE DIMENSION REQUIREMENT.
- 2.) FONT SPACING MAY BE ADJUSTED TO MEET DIMENSION REQUIREMENT.
- 3.) DIMENSIONS SHOWN ARE APPROXIMATE AND MAY BE ADJUSTED SLIGHTLY TO ACCOMMODATE VARIOUS MANUFACTURER'S LETTER WIDTHS.
- 4.) SIGN SHALL BE GREEN BACKGROUND WITH WHITE LETTERS.



**STANDARD DESTINATION SIGN NOTES
VD1-1A, VD2-1**

- 1.) THE DESTINATION SIGN SHOWN ON THIS SHEET SHALL HAVE WHITE RETROREFLECTIVE ASTM TYPE III OR IV TEXT, ARROWS AND BORDERS ON A GREEN RETROREFLECTIVE ASTM TYPE III OR IV BACKGROUND. RETROREFLECTIVE SHEETING SHALL MEET THE REQUIREMENTS OF AASHTO M 268 (ASTM D4956).
- 2.) USE THE LARGEST LETTER / THICKEST FONT AVAILABLE THAT WILL SATISFY THE MINIMUM SPACING REQUIREMENTS, AS SHOWN IN THE DETAILS ABOVE; I.E. IF A 6" SERIES C LETTER DOES NOT WORK, DUE TO THE LENGTH OF THE WORD, USE A 6" SERIES B LETTER. IF A 6" SERIES B LETTER DOES NOT WORK, USE A 5" SERIES C. IF A 5" SERIES C LETTER DOES NOT WORK, USE A 5" SERIES B. USE NO LESS THAN 80% KERNING.



TRAFFIC SIGN DETAIL SHEET 1	PROJECT NAME: BETHEL - RANDOLPH - NORTHFIELD	PLOT DATE: 1/3/13
	PROJECT NUMBER: STP 2922 (I)	DRAWN BY: JBG
	FILE NAME: p10C246.dgn	CHECKED BY: CDL
	PROJECT LEADER: CDL	SHEET 136 OF 149
	DESIGNED BY: SJL	
	PLOT FILE: p10C246.136.1	