

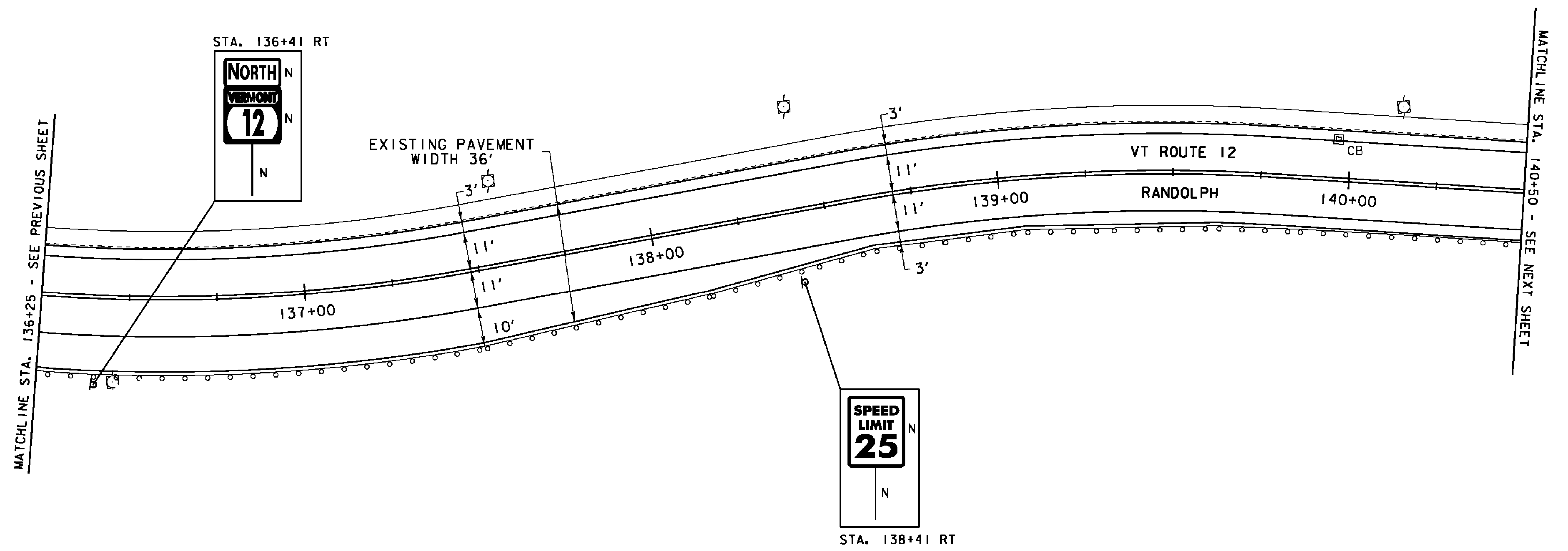
DURABLE 4 INCH WHITE LINE, TYPE I TAPE  
 STA. 136+25 - STA. 140+50 (SOLID LT & RT)

TEMPORARY 4 INCH WHITE LINE, PAINT  
 STA. 136+25 - STA. 140+50 (SOLID LT & RT)

DURABLE 4 INCH YELLOW LINE, TYPE I TAPE  
 STA. 136+25 - STA. 140+50 (SOLID LT & RT)

TEMPORARY 4 INCH YELLOW LINE, PAINT  
 STA. 136+25 - STA. 140+50 (SOLID LT & RT)

REHAB. DROP INLETS, CATCH  
 BASINS, OR MANHOLES, CLASS I OR CLASS II  
 STA. 139+97 LT ✓



- LEGEND**
- SIGN
  - HYDRANT
  - MANHOLE
  - VALVE
  - GAS PIPELINE MARKER
  - CATCH BASIN / DROP INLET
  - CURB INLET
  - ⊠ TRAFFIC CONTROL BOX
  - ⊠ PARKING METER
  - ⊠ UTILITY POLE
  - DETECTABLE WARNINGS
  - LIGHT POLE
  - EX. DETECTABLE WARNINGS
  - JUNCTION BOX
  - ⊠ PED BUTTON
  - ⊠ ELECTRICAL BOX
  - ⊠ SIGNAL
  - ⊠ PEDESTAL POST
  - ⊠ STRAIN POLE
  - CAMERA
  - VDZ VIDEO DETECTION ZONE

- SIGN LEGEND**
- R = REMOVE
  - R&S = REMOVE AND SALVAGE
  - RET = RETAIN
  - S = SALVAGE
  - N = NEW
  - B-B = BACK TO BACK

NOT TO SCALE

<b>PROJECT LAYOUT SHEET 21</b>	PROJECT NAME: BETHEL-NORTHFIELD	PLOT DATE: 1/3/13
	PROJECT NUMBER: STP 2922(I)	DRAWN BY: JBG
	FILE NAME: piOC246.dgn	CHECKED BY: CDL
	DESIGNED BY: SJL	SHEET 40 OF 149
	PLOT FILE: piOC246_40.t	