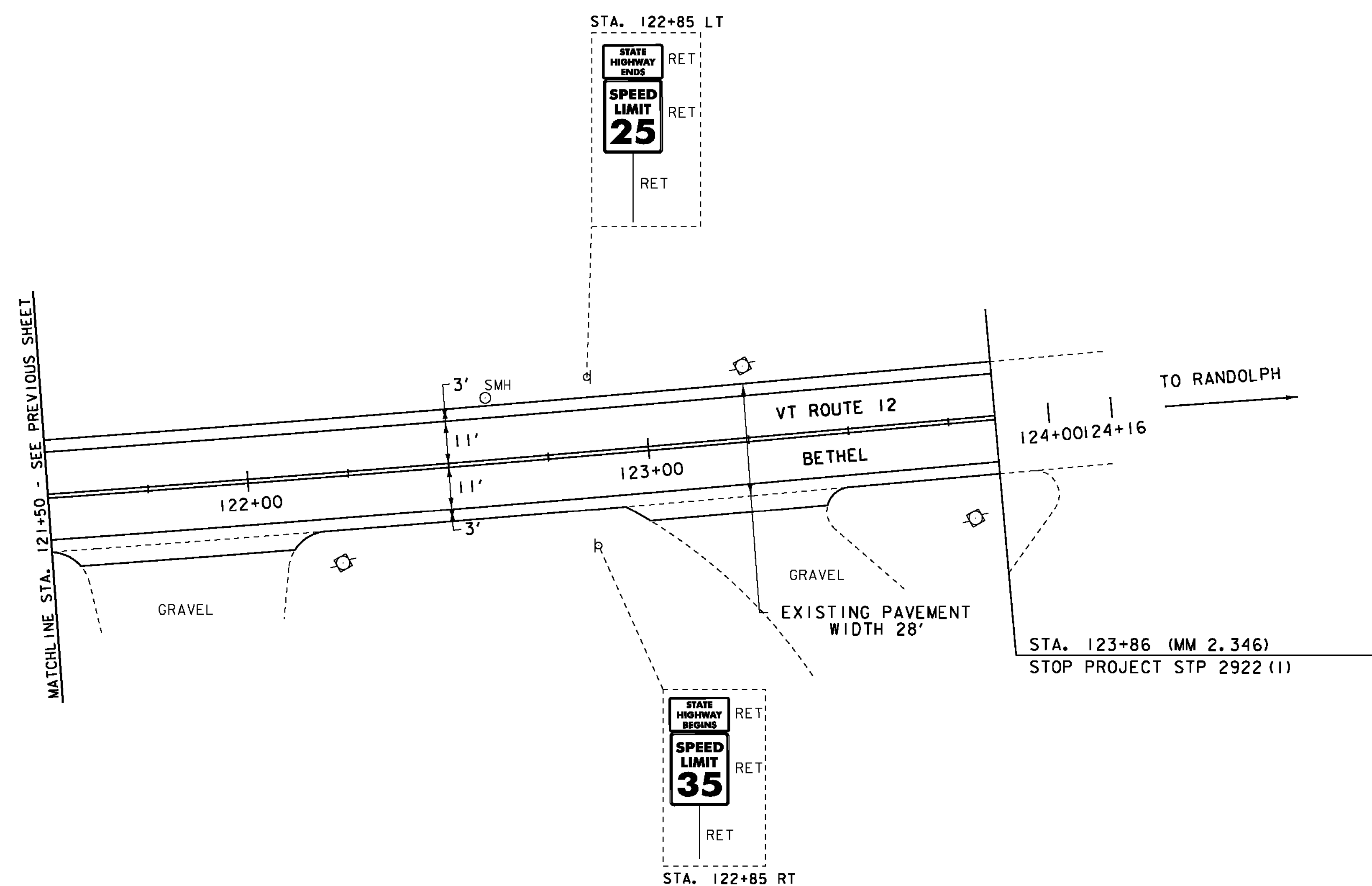


DURABLE 4 INCH WHITE LINE, TYPE I TAPE
 STA. 121+50 - STA. 123+86 (SOLID LT & RT)

TEMPORARY 4 INCH WHITE LINE, PAINT
 STA. 121+50 - STA. 123+86 (SOLID LT & RT)

DURABLE 4 INCH YELLOW LINE, TYPE I TAPE
 STA. 121+50 - STA. 123+86 (SOLID LT & RT)

TEMPORARY 4 INCH YELLOW LINE, PAINT
 STA. 121+50 - STA. 123+86 (SOLID LT & RT)



- LEGEND**
- SIGN
 - HYDRANT
 - MANHOLE
 - VALVE
 - GAS PIPELINE MARKER
 - CATCH BASIN / DROP INLET
 - CURB INLET
 - ☒ TRAFFIC CONTROL BOX
 - ☒ PARKING METER
 - ☒ UTILITY POLE
 - DETECTABLE WARNINGS
 - LIGHT POLE
 - ▨ EX. DETECTABLE WARNINGS
 - JUNCTION BOX
 - ⊞ PED BUTTON
 - ⊞ ELECTRICAL BOX
 - ☒ SIGNAL
 - ☒ PEDESTAL POST
 - ☒ STRAIN POLE
 - ☒ CAMERA
 - VDZ VIDEO DETECTION ZONE

- SIGN LEGEND**
- R = REMOVE
 - R&S = REMOVE AND SALVAGE
 - RET = RETAIN
 - S = SALVAGE
 - N = NEW
 - B-B = BACK TO BACK

NOT TO SCALE

PROJECT LAYOUT SHEET 9	PROJECT NAME: BETHEL-NORTHFIELD
	PROJECT NUMBER: STP 2922(I)
FILE NAME: piOC246.dgn	PLOT DATE: 1/3/13
PROJECT LEADER: CDL	DRAWN BY: JBG
DESIGNED BY: SJL	CHECKED BY: CDL
PLOT FILE: piOC246_28.I	SHEET 28 OF 149