

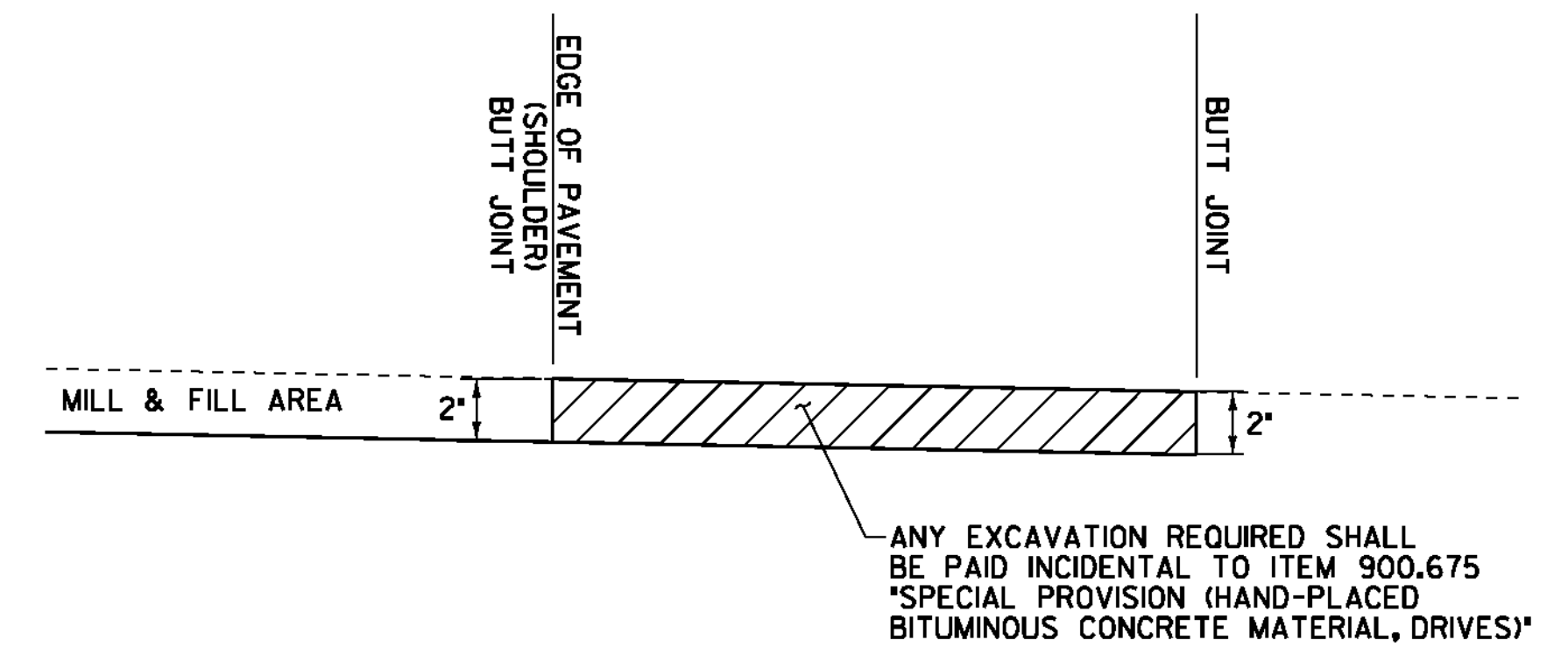
STATION	POSITION	TYPE	QUANTITY 900.675 (SY)
BETHEL			
76+42	LT	PAVED	15.8
77+72	LT	PAVED	42.2
81+25	RT	PAVED	7.2
82+00	LT	PAVED	100.4
83+26	LT	GRAVEL	7.6
84+97	LT	PAVED	11.7
86+26	LT	GRAVEL	14.5
88+64	RT	PAVED	12.6
98+66	RT	PAVED	15.2
98+77	LT	PAVED	25.6
100+08	RT	GRAVEL	15.0
100+86	LT	GRAVEL	12.0
101+87	LT	GRAVEL	6.6
102+35	LT	GRAVEL	6.6
103+56	LT	PAVED	7.3
104+37	LT	PAVED	6.3
105+01	LT	PAVED	6.5
105+06	RT	GRAVEL	7.4
105+62	LT	PAVED	7.0
107+32	LT	PAVED	8.1
108+15	LT	GRAVEL	8.2
109+11	RT	GRAVEL	20.6
110+45	RT	GRAVEL	26.8
111+27	LT	PAVED	10.6
112+59	LT	PAVED	7.4
112+86	RT	GRAVEL	20.9
113+57	RT	PAVED	10.2
113+79	LT	PAVED	6.6
114+61	RT	GRAVEL	15.6
116+52	LT	PAVED	151.4
116+85	RT	PAVED	105.6
118+50	RT	PAVED	10.7
119+00	RT	GRAVEL	4.4
119+39	RT	GRAVEL	8.8

STATION	POSITION	TYPE	QUANTITY 900.675 (SY)
119+50	LT	PAVED	45.6
120+21	RT	GRAVEL	19.9
121+85	RT	GRAVEL	25.9
123+24	RT	GRAVEL	21.6
RANDOLPH 12			
79+04	RT	PAVED	9.4
81+19	RT	PAVED	17.9
82+60	RT	PAVED	18.3
85+48	LT	GRAVEL	10.1
86+11	LT	GRAVEL	7.3
86+88	RT	PAVED	27.9
87+91	LT	PAVED	26.7
88+96	RT	PAVED	37.9
90+97	LT	GRAVEL	4.1
91+87	RT	PAVED	10.4
92+92	RT	PAVED	15.4
94+35	LT	GRAVEL	22.5
94+65	RT	GRAVEL	8.3
95+26	RT	PAVED	7.2
95+65	LT	PAVED	15.0
95+82	RT	PAVED	10.0
97+59	LT	GRAVEL	6.9
98+57	RT	GRAVEL	6.3
98+68	LT	PAVED	5.5
99+63	LT	GRAVEL	5.6
100+92	LT	GRAVEL	6.7
101+70	LT	PAVED	5.2
104+80	LT	PAVED	16.6
113+29	LT	PAVED	11.3
114+90	LT	PAVED	9.0
129+17	LT	PAVED	48.7
129+53	RT	PAVED	39.6
130+93	LT	PAVED	23.3
133+13	LT	GRAVEL	41.4
142+84	RT	PAVED	7.2

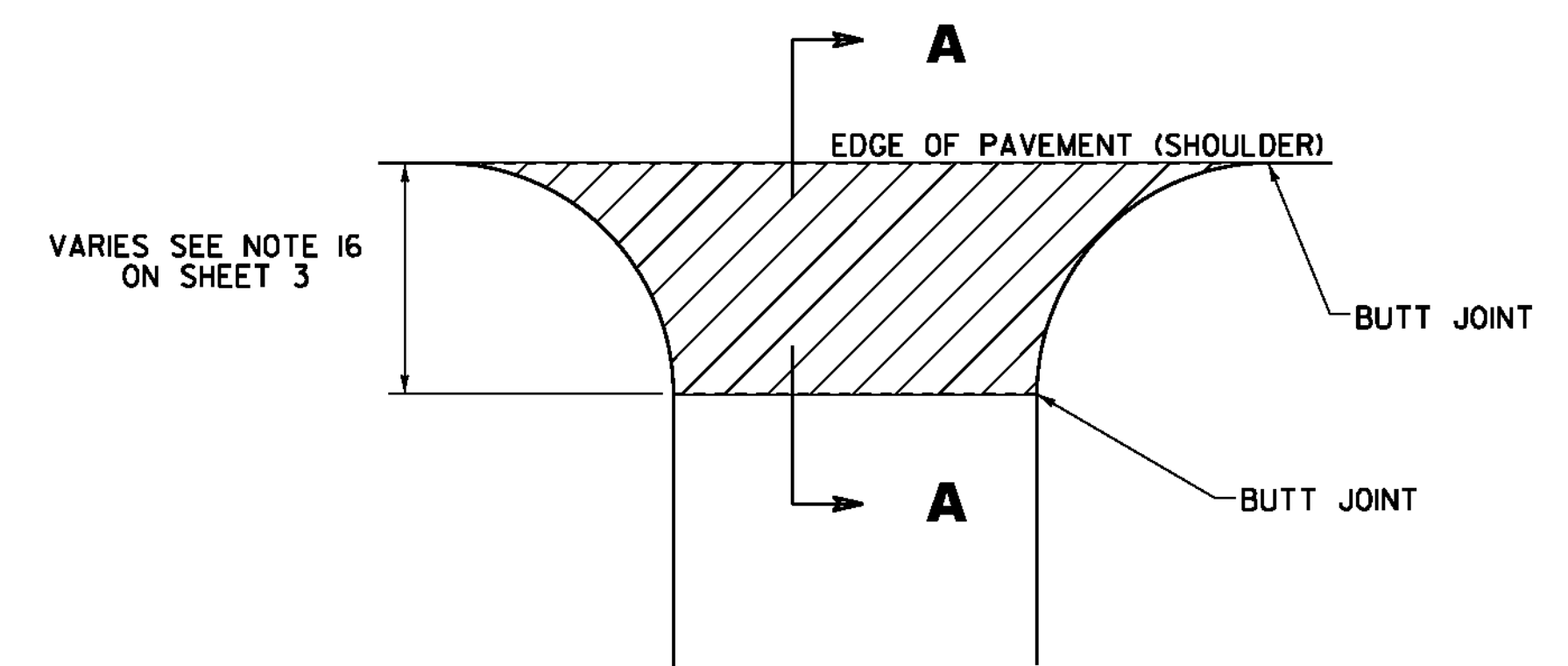
STATION	POSITION	TYPE	QUANTITY 900.675 (SY)
143+71	RT	PAVED	4.9
144+30	RT	GRAVEL	10.4
145+97	RT	GRAVEL	11.3
148+91	RT	PAVED	23.6
149+88	RT	PAVED	31.1
150+56	RT	GRAVEL	14.2
151+84	RT	GRAVEL	10.4
152+77	RT	GRAVEL	7.4
153+18	RT	GRAVEL	17.1
153+51	RT	GRAVEL	7.3
155+59	RT	GRAVEL	10.9
156+72	RT	GRAVEL	7.0
156+74	LT	GRAVEL	8.7
158+08	LT	GRAVEL	7.9
158+27	RT	PAVED	7.2
159+10	RT	PAVED	7.2
159+96	RT	PAVED	8.5
160+26	LT	GRAVEL	12.6
160+48	RT	GRAVEL	11.0
RANDOLPH 12A			
0+63	RT	PAVED	9.7
1+54	RT	PAVED	6.1
2+58	RT	GRAVEL	11.1
5+22	LT	GRAVEL	30.3
6+47	LT	GRAVEL	6.8
7+05	LT	GRAVEL	10.3
11+89	LT	GRAVEL	12.1
12+55	RT	GRAVEL	16.6
13+18	RT	GRAVEL	5.0
13+31	LT	FIELD	4.0
14+39	LT	GRAVEL	7.9
15+47	LT	GRAVEL	17.5
17+68	RT	GRAVEL	11.4
17+88	LT	GRAVEL	28.3

STATION	POSITION	TYPE	QUANTITY 900.675 (SY)
RANDOLPH 66			
3+21	LT	GRAVEL	18.4
4+93	LT	GRAVEL	49.8
6+02	LT	PAVED	25.0
7+05	LT	PAVED	22.7
7+75	LT	PAVED	76.7
8+68	RT	PAVED	28.4
NORTHFIELD 12 A			
217+63	RT	PAVED	22.1
219+77	LT	GRAVEL	32.2
220+00	RT	PAVED	10.5
222+05	RT	GRAVEL	14.1
222+28	LT	WOODS	5.8
225+17	RT	PAVED	13.2
226+35	RT	PAVED	18.4
228+09	LT	PAVED	30.8
228+10	RT	GRAVEL	8.6
230+46	RT	GRAVEL	31.4
230+95	LT	GRAVEL	11.2
231+10	RT	GRAVEL	8.1
232+50	LT	GRAVEL	12.6
233+09	LT	PAVED	10.5
234+46	LT	GRAVEL	9.8
235+58	LT	GRAVEL	8.2
NORTHFIELD 12			
162+11	RT	GRAVEL	8.0
162+12	LT	GRAVEL	7.7
163+61	LT	GRAVEL	9.7
164+22	LT	PAVED	8.2
164+42	RT	GRAVEL	10.0
166+17	RT	GRAVEL	6.0
167+75	RT	PAVED	9.2
168+22	LT	GRAVEL	15.1

STATION	POSITION	TYPE	QUANTITY 900.675 (SY)
169+58	RT	GRAVEL	11.9
171+31	RT	PAVED	6.9
173+46	RT	GRAVEL	11.4
174+15	LT	PAVED	38.9
174+69	RT	GRAVEL	10.3
177+16	RT	PAVED	8.6
177+77	RT	PAVED	8.1
178+29	RT	GRAVEL	10.3
182+23	RT	PAVED	8.0
182+54	RT	PAVED	7.8
183+35	RT	PAVED	11.0
202+35	LT	PAVED	9.3
202+69	RT	PAVED	7.8
204+25	RT	PAVED	8.3
208+98	LT	GRAVEL	7.9
209+60	RT	GRAVEL	8.5
210+06	RT	PAVED	8.8
210+75	LT	PAVED	7.7
212+41	LT	PAVED	8.9
213+72	LT	GRAVEL	8.1
214+52	LT	PAVED	7.8
216+49	RT	PAVED	11.7
218+30	RT	PAVED	14.6
231+52	RT	PAVED	19.5
232+32	RT	GRAVEL	6.1
244+56	RT	PAVED	197.7
SUBTOTAL			2740.1
ROUNDING			29.9
TOTAL			2770.0



**SECTION A-A
COLD PLANE AND PAVE AREA**



**PLAN
HANDWORK DETAILS FOR PAVED DRIVES**

- NOTES:**
VT ROUTE 12
VT ROUTE 12A
VT ROUTE 66
- PAVING LIFT NOT TO EXCEED 2".
 - THE COST OF PLACING SUBBASE MATERIAL, CLEANING EXISTING PAVED SURFACES, INCLUDING POWER EQUIPMENT, AND FOR FILLING JOINTS, CRACKS AND HOLES WILL NOT BE PAID DIRECTLY BUT WILL BE CONSIDERED INCIDENTAL TO ITEM 900.675 "SPECIAL PROVISION (HAND-PLACED BITUMINOUS CONCRETE MATERIAL, DRIVES)".
 - EXCAVATION NEEDED TO ACHIEVE PROPER DRIVE SLOPES WILL NOT BE PAID DIRECTLY BUT WILL BE CONSIDERED INCIDENTAL TO ITEM 900.675 "SPECIAL PROVISION (HAND-PLACED BITUMINOUS CONCRETE MATERIAL, DRIVES)".
 - ALL DRIVES WITH A SIDEWALK BEHIND IT SHALL RECEIVE A PAVED APRON TO THE SIDEWALK. DRIVES WITH NO SIDEWALK BEHIND IT SHALL RECEIVE A 4' APRON OR AS DIRECTED BY THE ENGINEER. FIELD DRIVES SHALL RECEIVE A 2' APRON. ANY AND ALL REQUIRED EXCAVATION IN DRIVE AREAS SHALL BE INCIDENTAL TO ITEM 900.675 "SPECIAL PROVISION (HAND-PLACED BITUMINOUS CONCRETE MATERIAL, DRIVES)". THE NEW BITUMINOUS SURFACE SHALL BE CONSTRUCTED AS DIRECTED AND WILL BE PAID FOR UNDER ITEM 900.675, "SPECIAL PROVISION (HAND-PLACED BITUMINOUS CONCRETE MATERIAL, DRIVES)".

LEGEND

 BITUMINOUS PAVEMENT 900.675 "SPECIAL PROVISION
HAND-PLACED BITUMINOUS CONCRETE MATERIAL, DRIVES".

HANDWORK FOR DRIVES DETAIL SHEET	PROJECT NAME: BETHEL - RANDOLPH - NORTHFIELD	PLOT DATE: 1/3/13
	PROJECT NUMBER: STP 2922 (I)	DRAWN BY: JBG
	FILE NAME: p10C246.dgn	CHECKED BY: CDL
	PROJECT LEADER: CDL	SHEET 9 OF 149
	DESIGNED BY: SJL	
	PLOT FILE: p10C246_9.1	

NOT TO SCALE