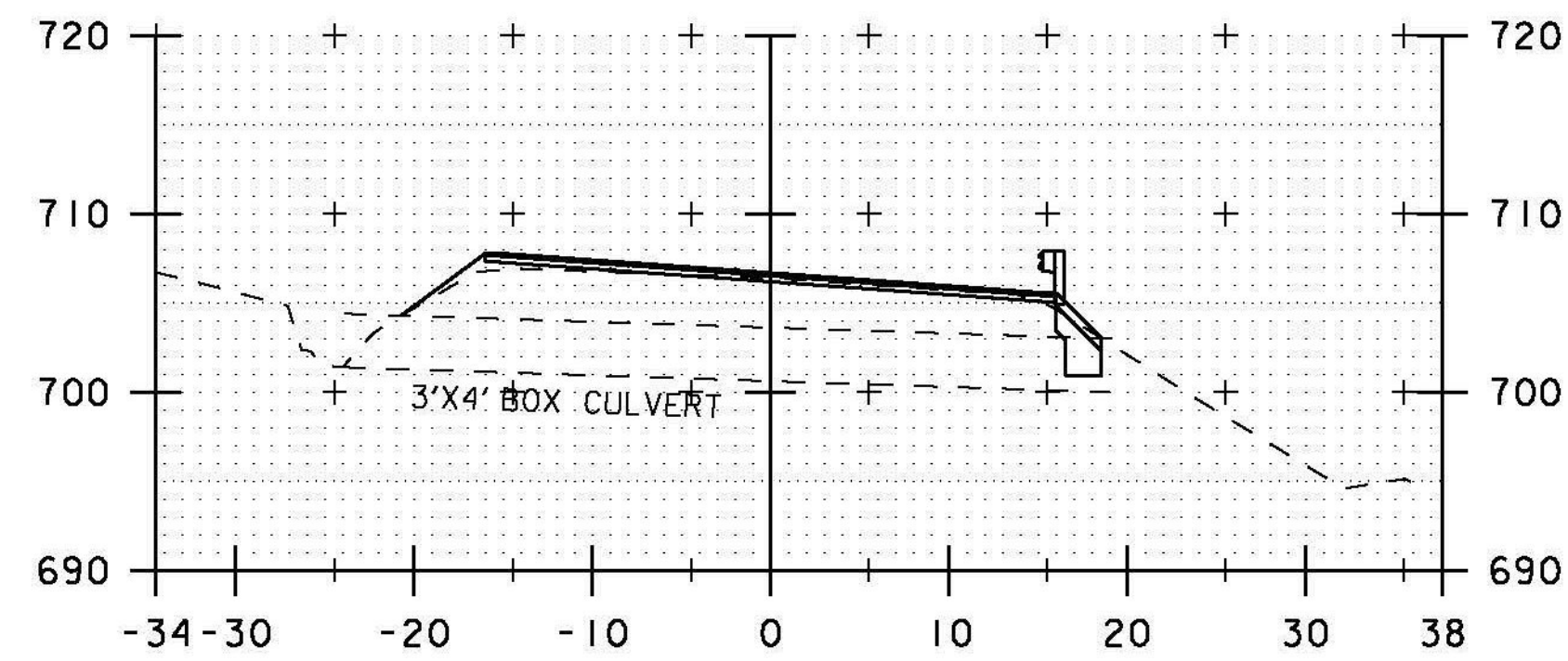
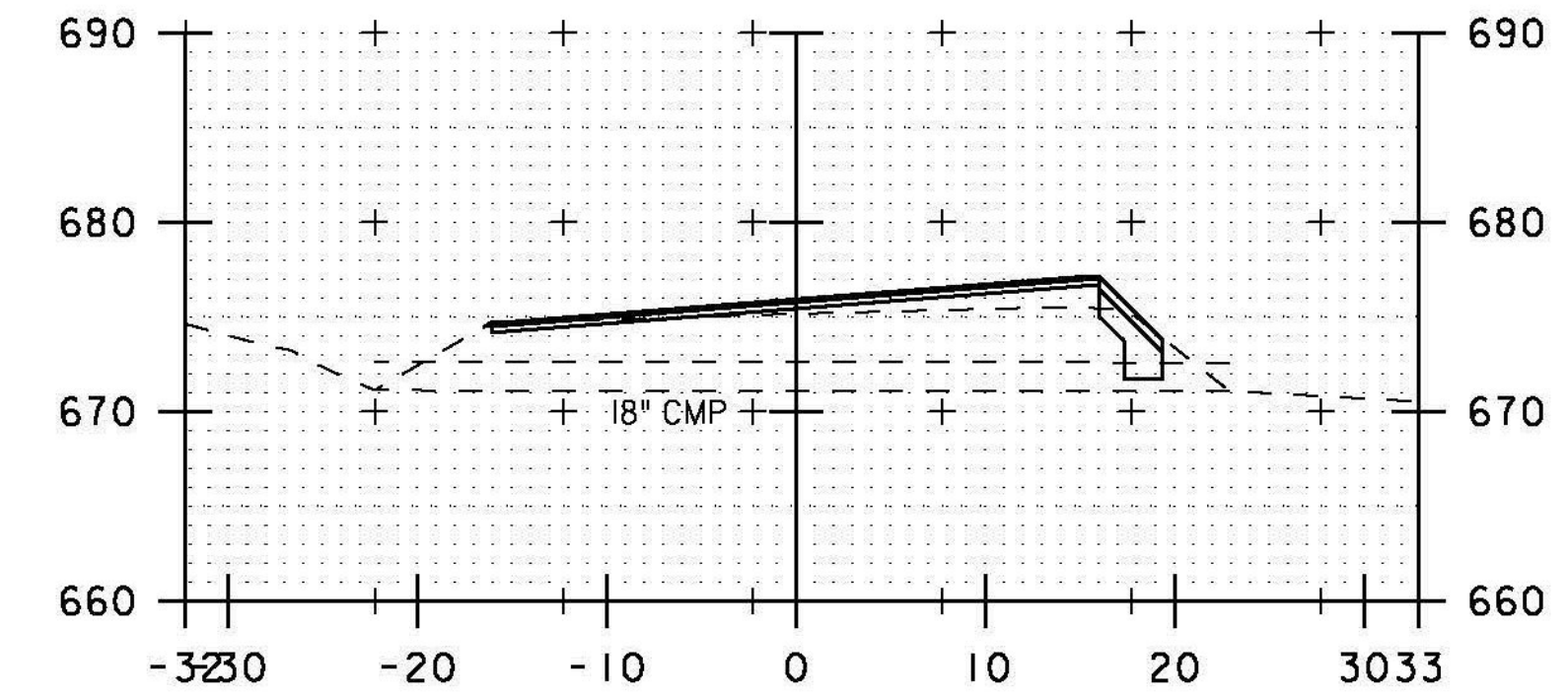


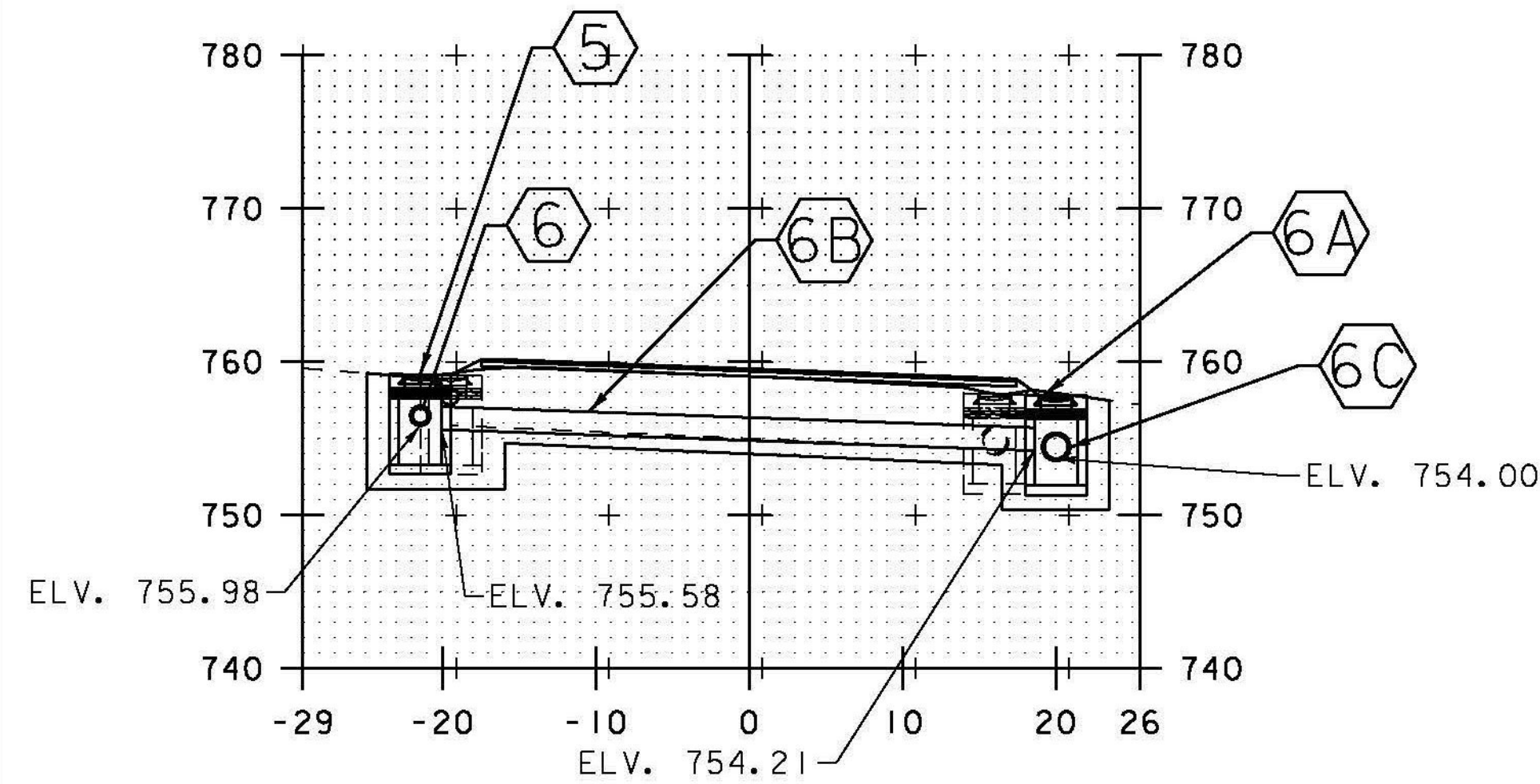
300+14



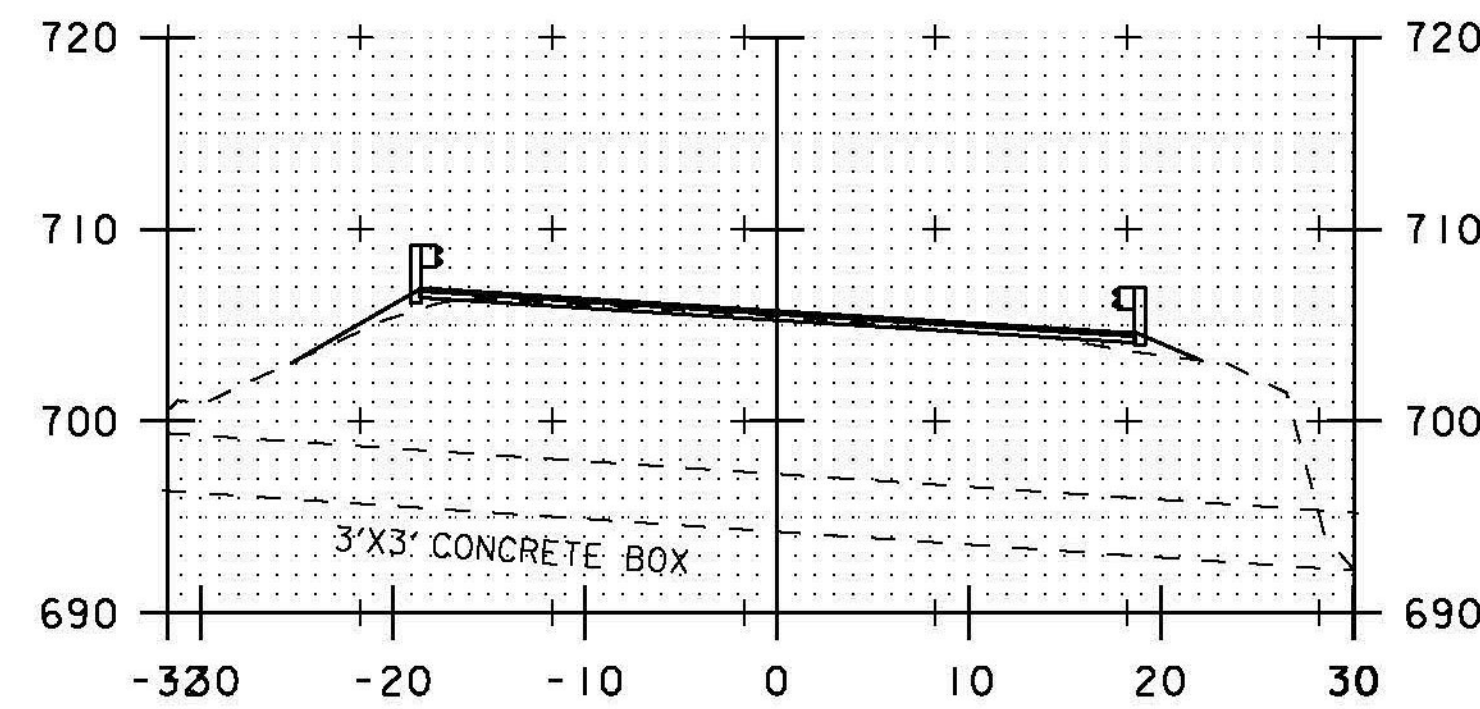
311+88



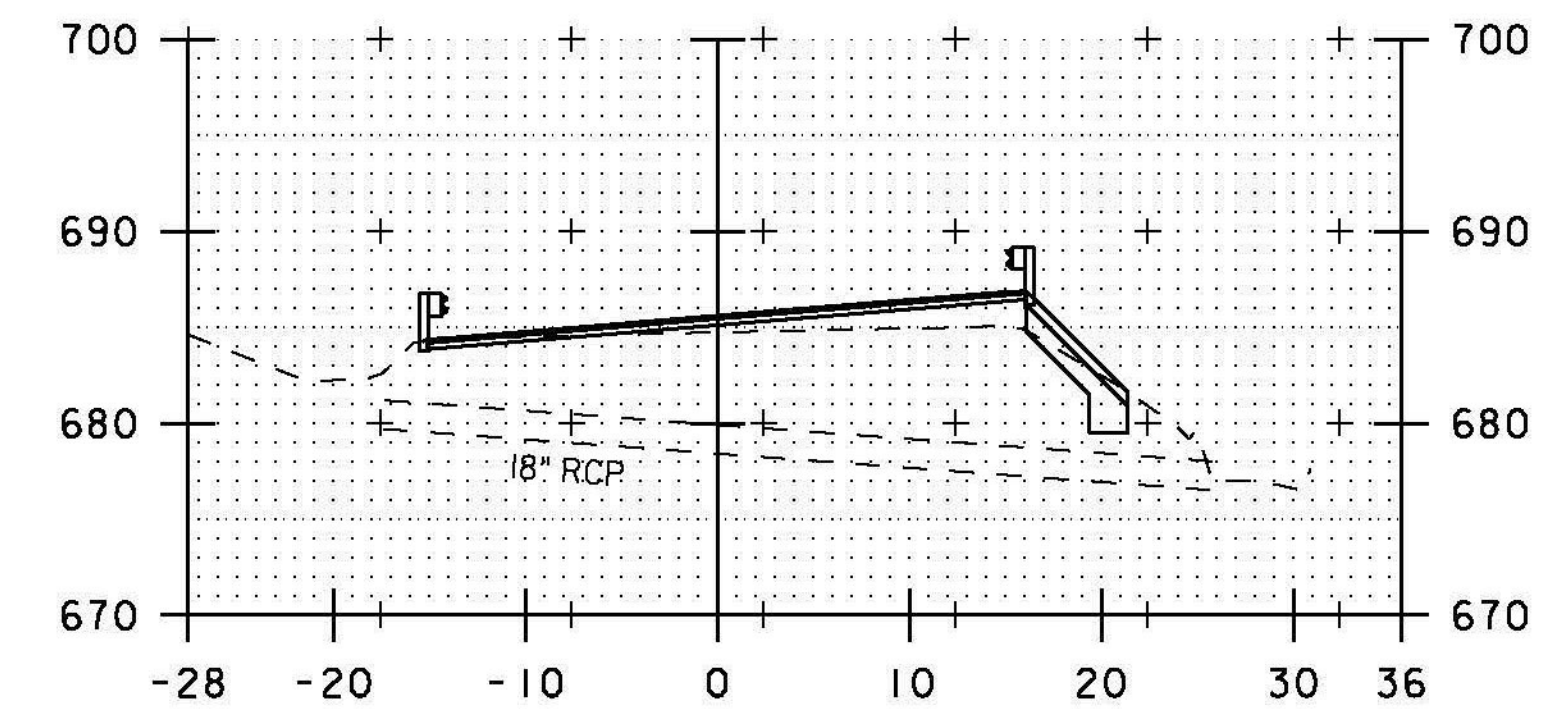
321+55



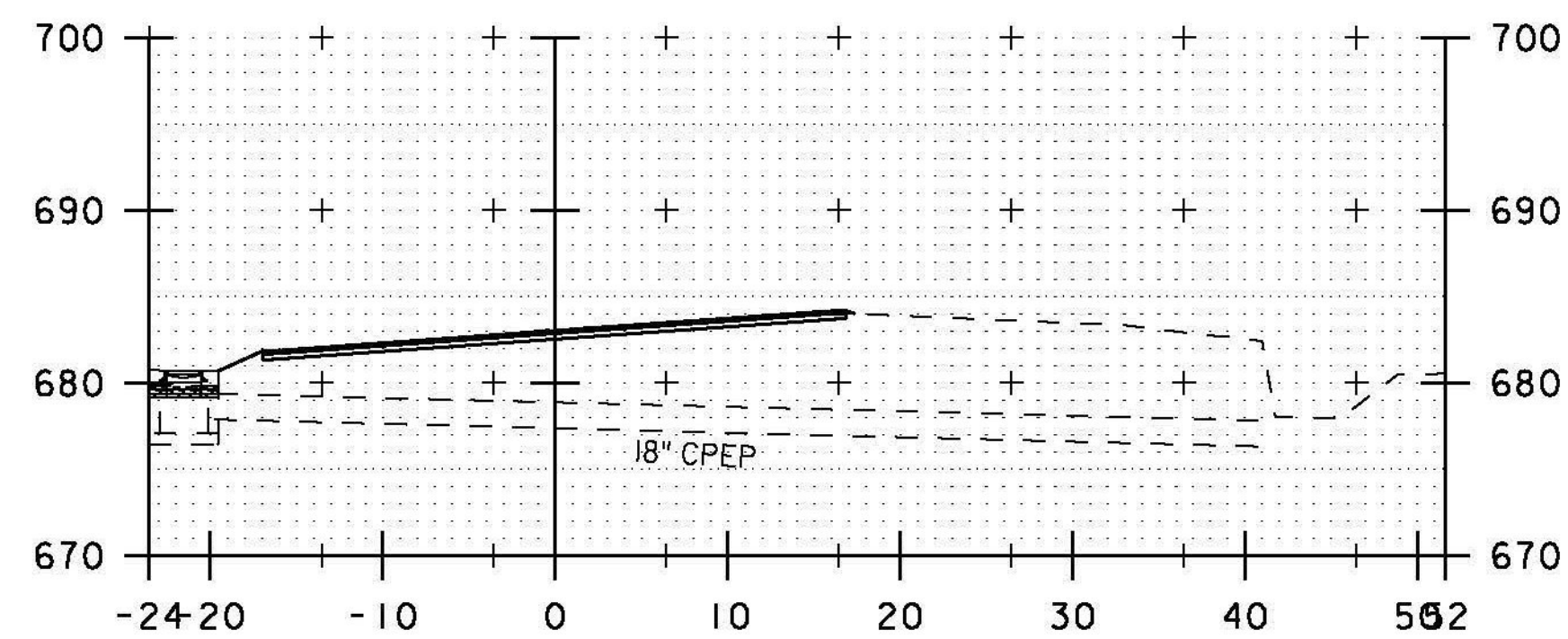
295+08



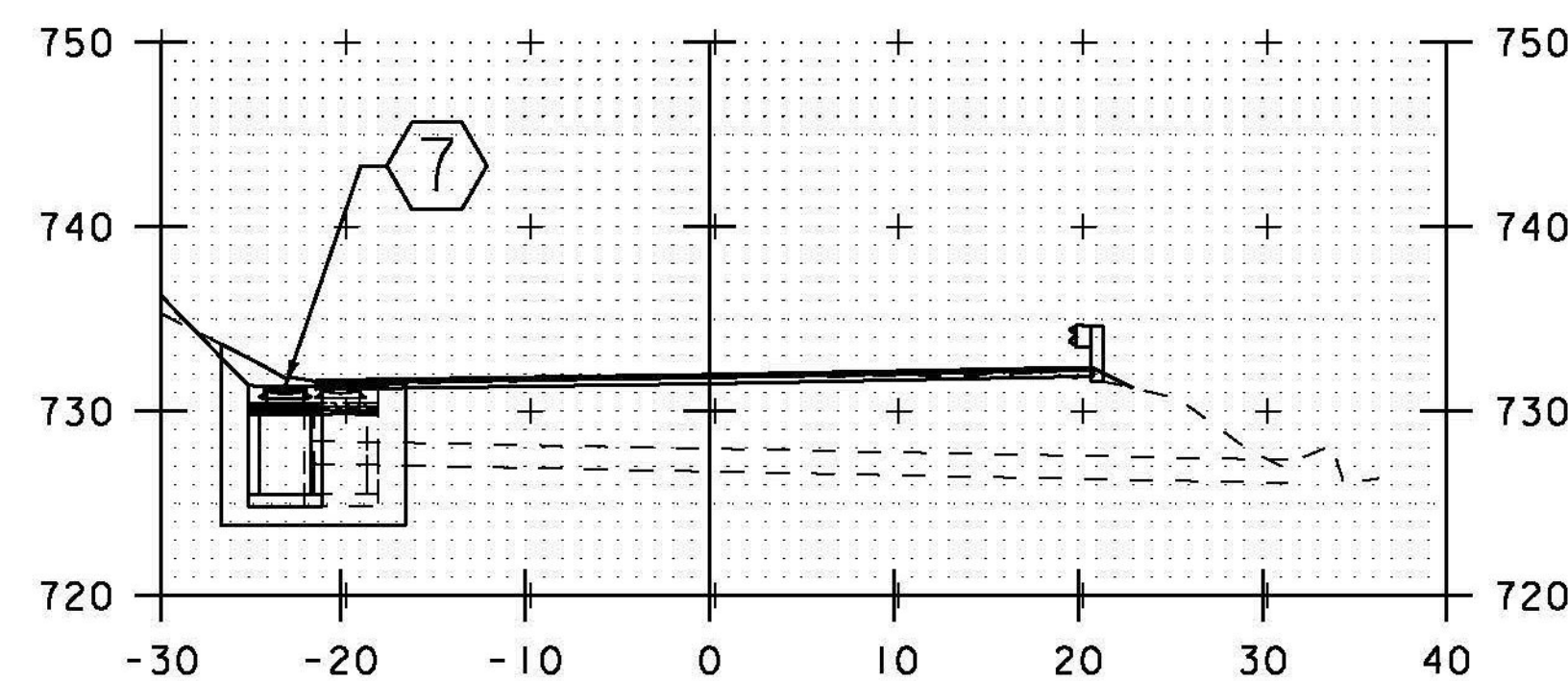
307+41



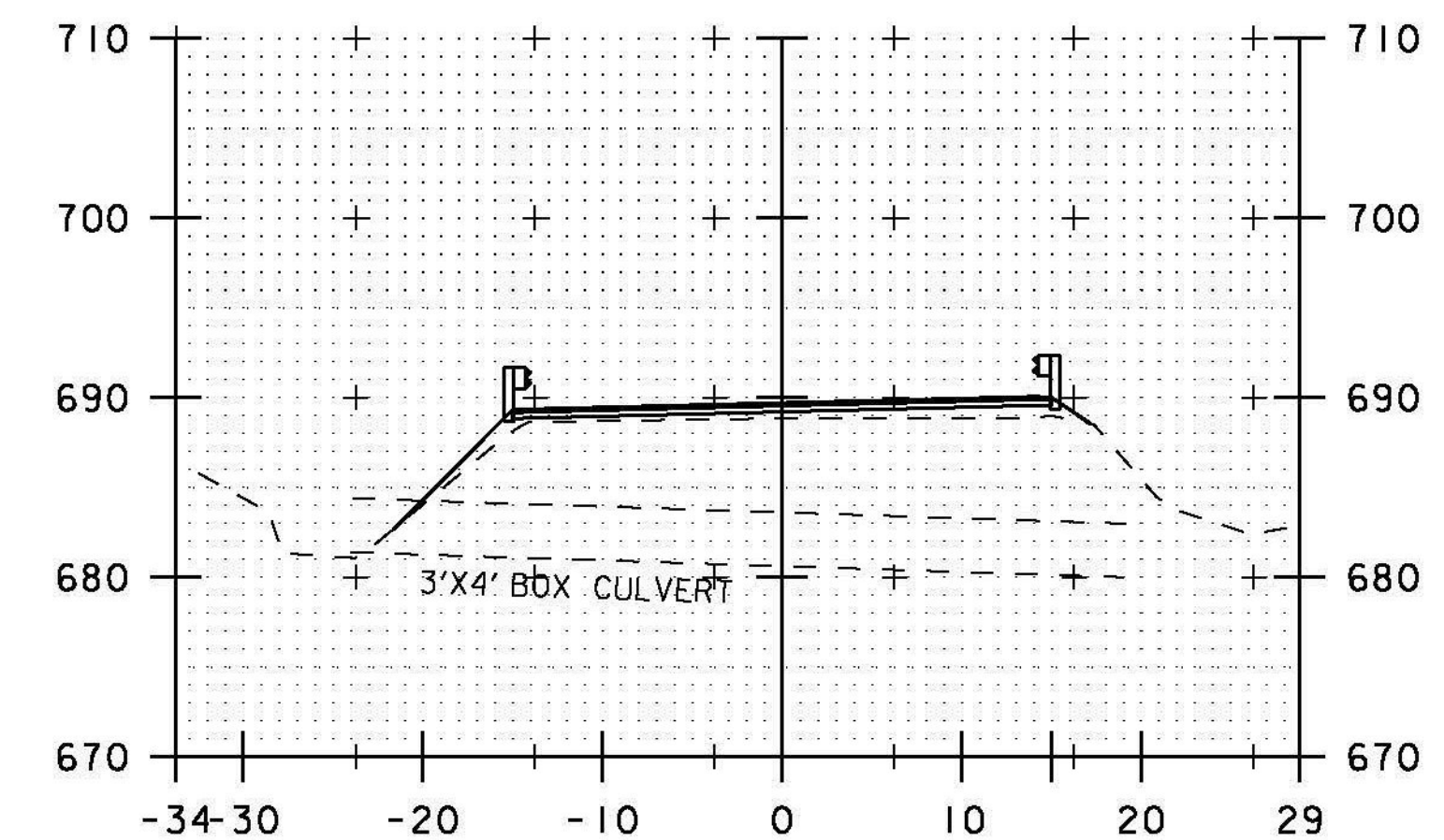
317+86



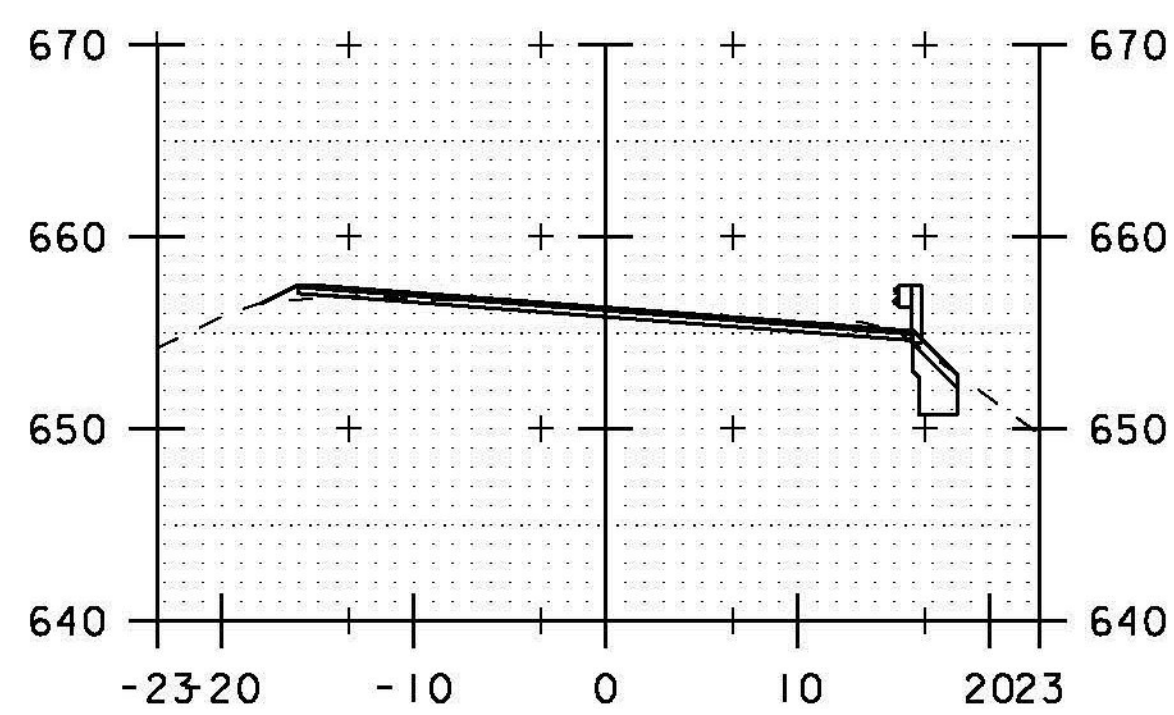
264+75



302+41



316+69



238+71

5 REMOVE EXISTING CB AND  
INSTALL NEW CB WITH  
CAST IRON GRATE (TYPE A)  
STA. 295+17 LT 21.0'  
RIM EL. = 759.23'

6 REMOVE EXISTING 12" CSP AND  
INSTALL NEW 12" CSP 21.0' MIN.  
STA. 295+18 LT 21.0' TO  
STA. 295+38 LT 19.0'  
INV. IN = 757.95  
INV. OUT = 755.98  
CONNECT TO NEW DI

6A REMOVE EXISTING CB AND  
INSTALL NEW CB WITH  
CAST IRON GRATE (TYPE A)  
STA. 295+02 RT 20.0'  
RIM EL. = 757.82'

6C REMOVE EXISTING 18" RCP AND  
INSTALL NEW 18" CPEP (SL) 63.5' MIN.  
STA. 294+38 RT 16.0' TO  
STA. 295+00 RT 20.0'  
INV. IN = 754.00'  
INV. OUT = 753.37'

6B REMOVE EXISTING 15" RCP AND  
INSTALL NEW 18" CPEP (SL) 43.0' MIN.  
STA. 295+02 RT 20.0' TO  
STA. 295+17 LT 19.0'  
INV. IN = 755.58'  
INV. OUT = 754.21'

7 REMOVE EXISTING DI AND  
INSTALL NEW DI WITH  
CAST IRON GRATE (TYPE D)  
STA. 302+26 LT 17.0'  
EXTEND 15" RCP 2.0' LT  
MATCH EXISTING SLOPE  
AND CONNECT TO NEW DI  
6" UD. INV. EL. = 729.50'  
RIM EL. = 731.57'

STA. 238+71 TO STA. 321+55

PROJECT NAME: BETHEL-RANDOLPH  
PROJECT NUMBER: STP 292(I)

PLOT FILE: z10c244.dgn  
PROJECT LEADER: C. LATHROP  
DESIGNED BY: S. LAMPHERE  
CULVERT CROSS SECTION SHEET 4

PLOT DATE: 4/23/2015  
DRAWN BY: S. LAMPHERE  
CHECKED BY: C. LATHROP  
SHEET 203 OF 211