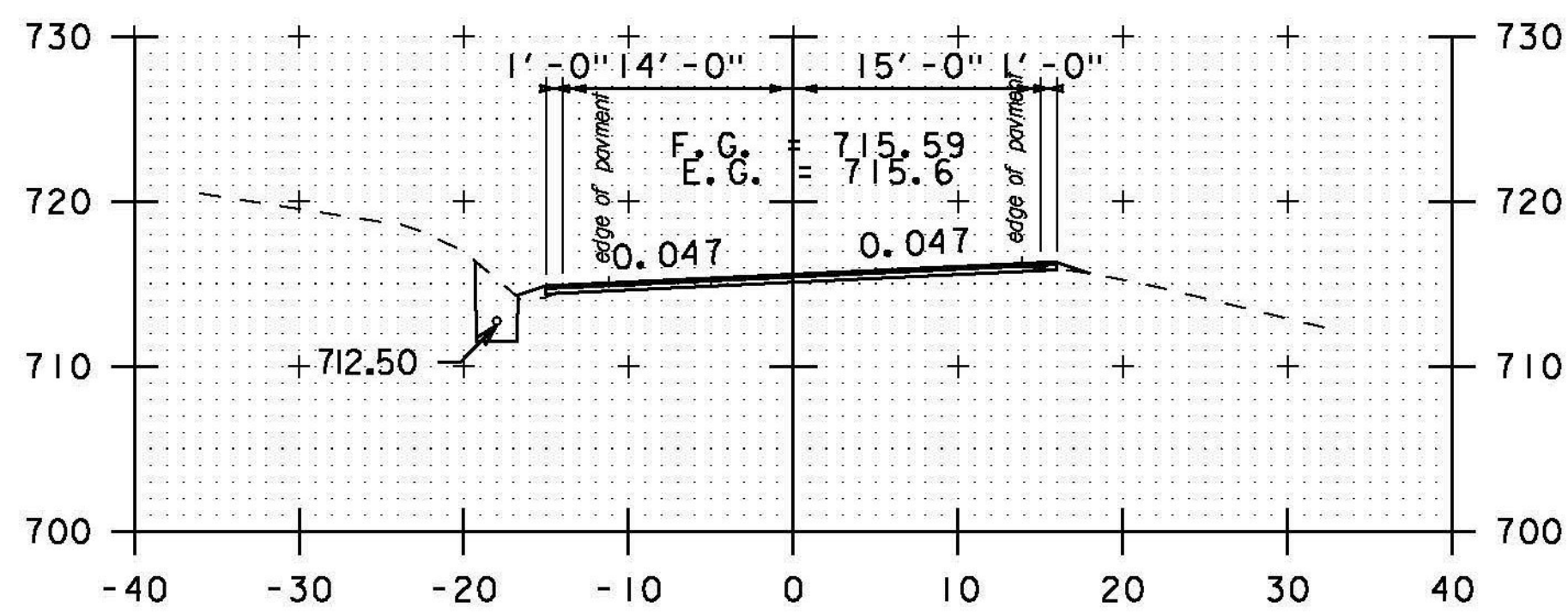
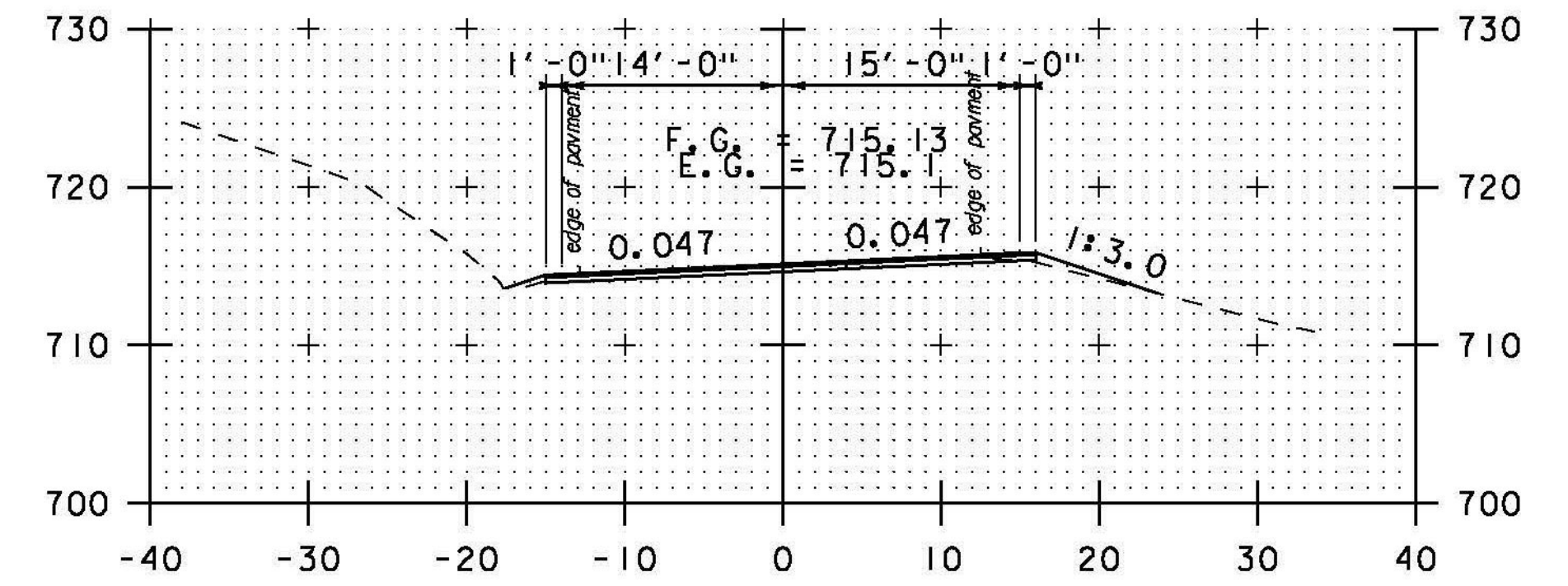


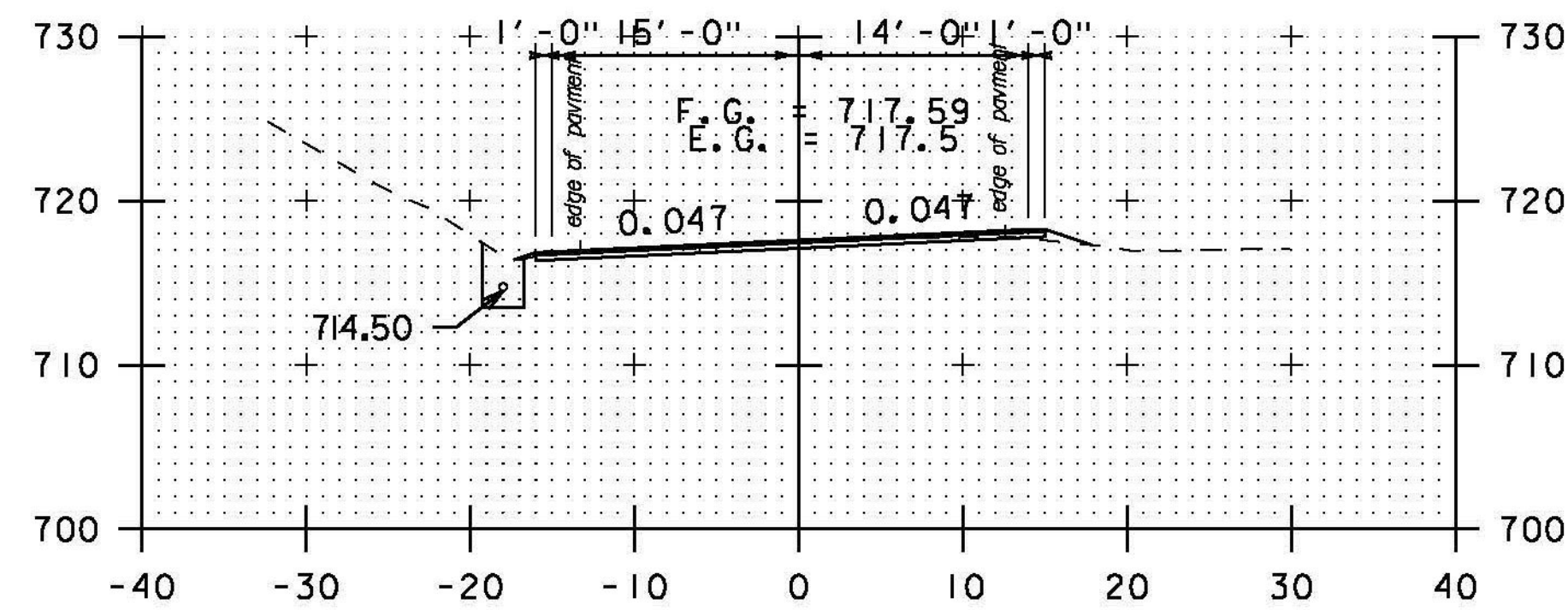
DRIVE RT
A 34+00



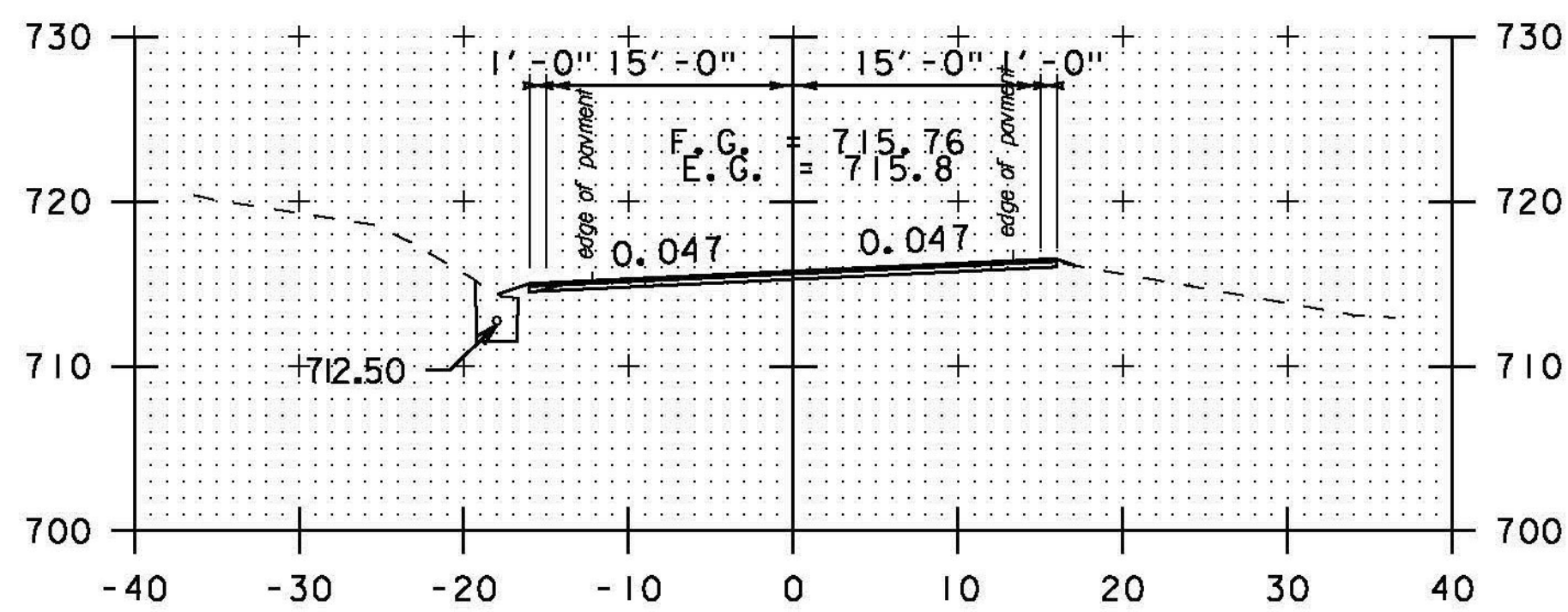
A 35+50



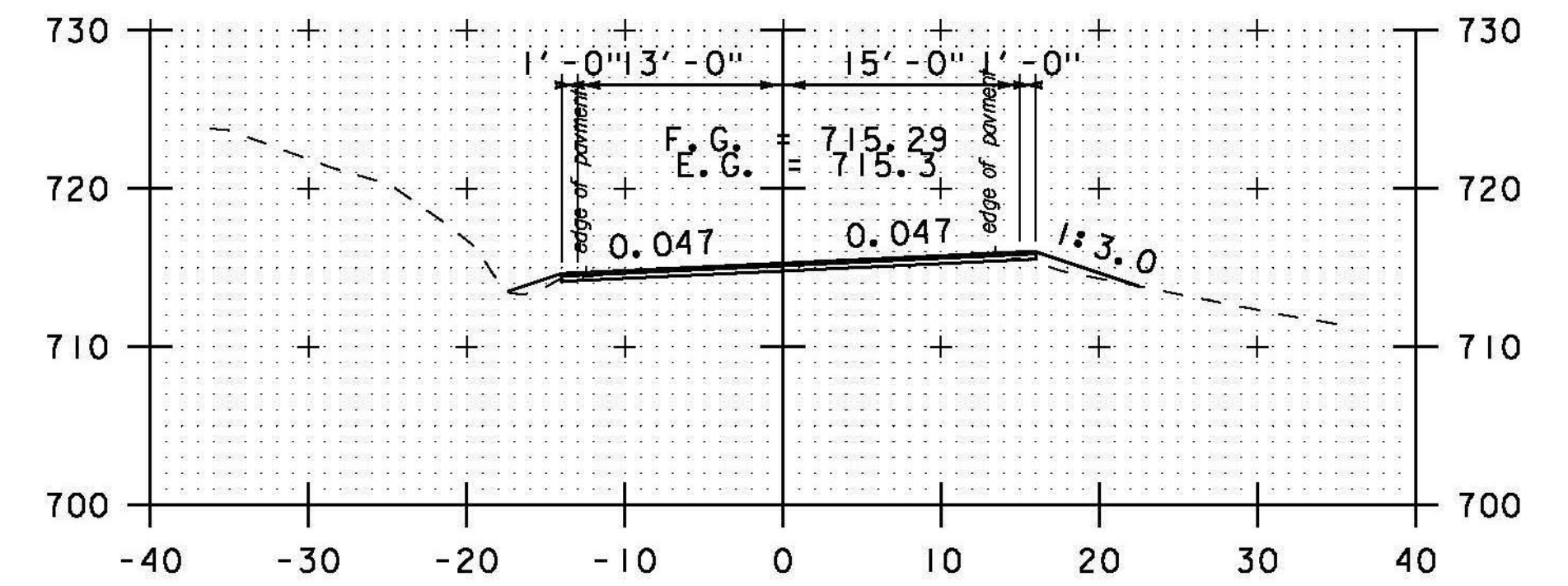
A 37+00



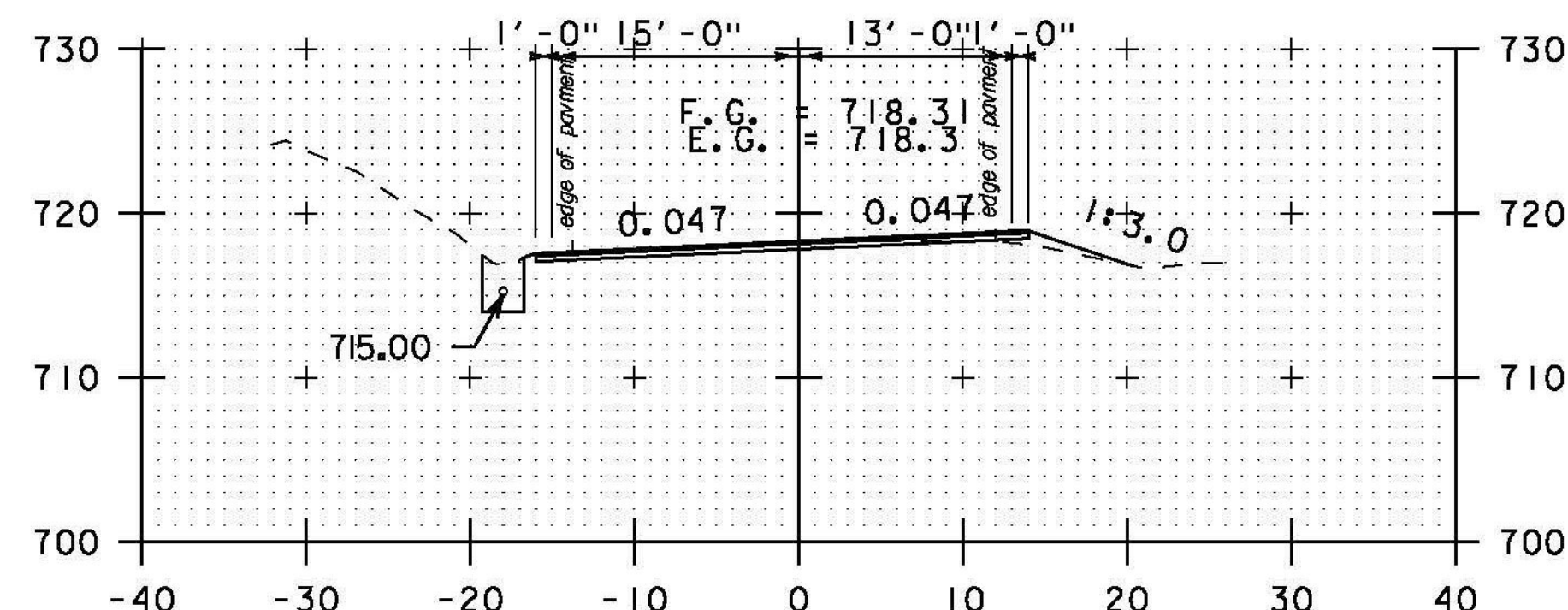
A 33+50



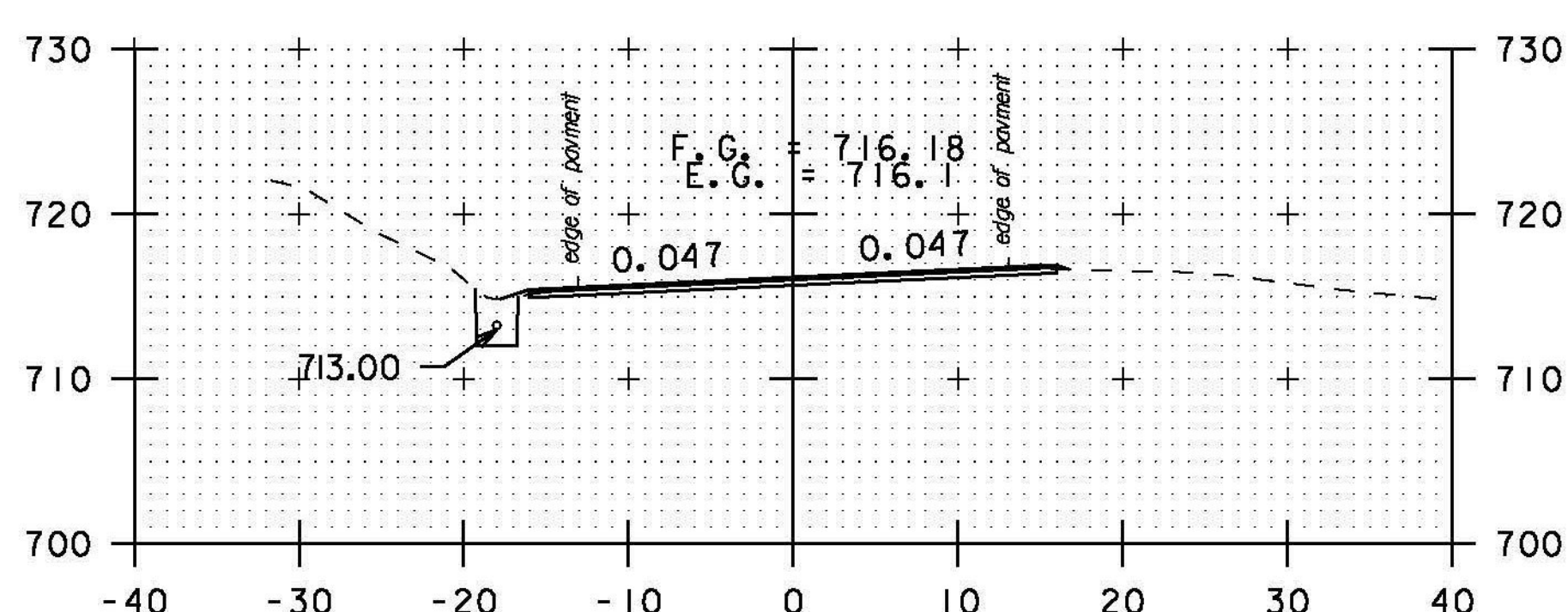
A 35+00



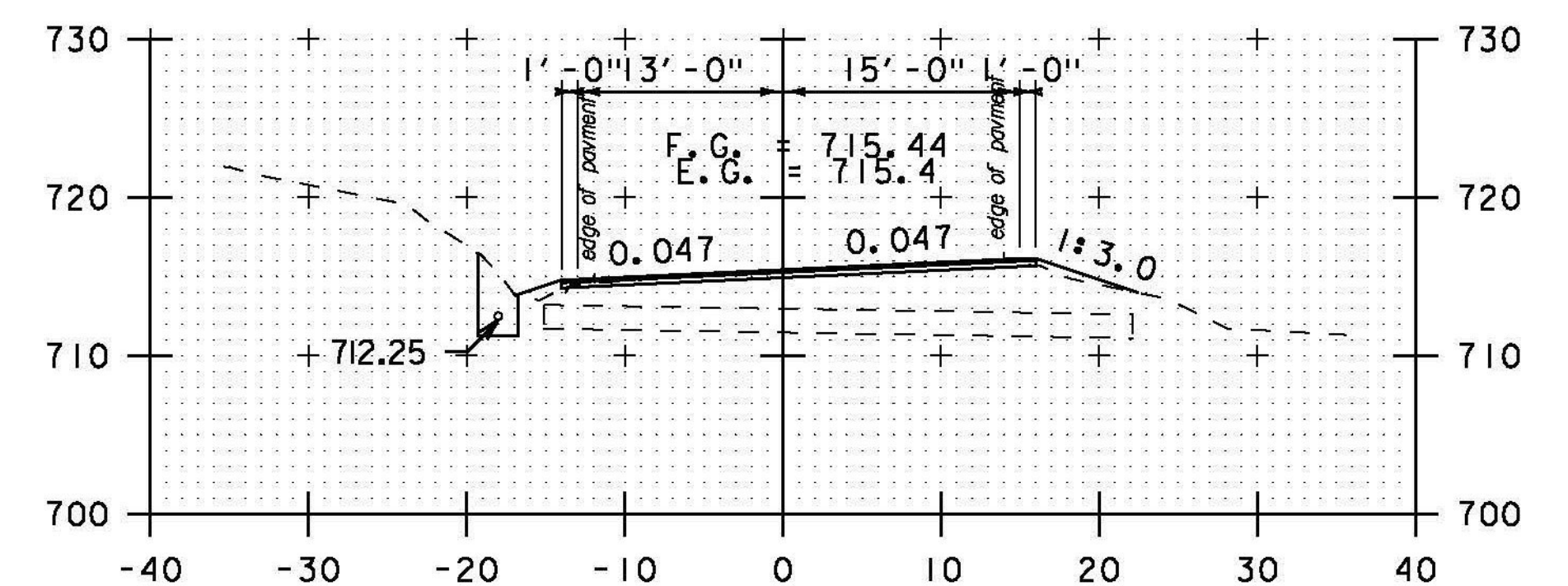
A 36+50



A 33+00

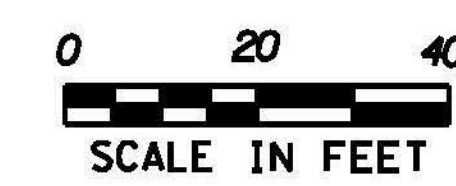


A 34+50



A 36+00

STA. A 33+00 TO STA. A 37+00



PROJECT NAME:	BETHEL-RANDOLPH	PLOT DATE:	4/23/2015
PROJECT NUMBER:	STP 292(I)	DRAWN BY:	S. LAMPHERE
FILE NAME:	piOC244.dgn	CHECKED BY:	C. LATHROP
PROJECT LEADER:	C. LATHROP	CROSS SECTION SHEET	57
DESIGNED BY:	S. LAMPHERE	SHEET	191 OF 211