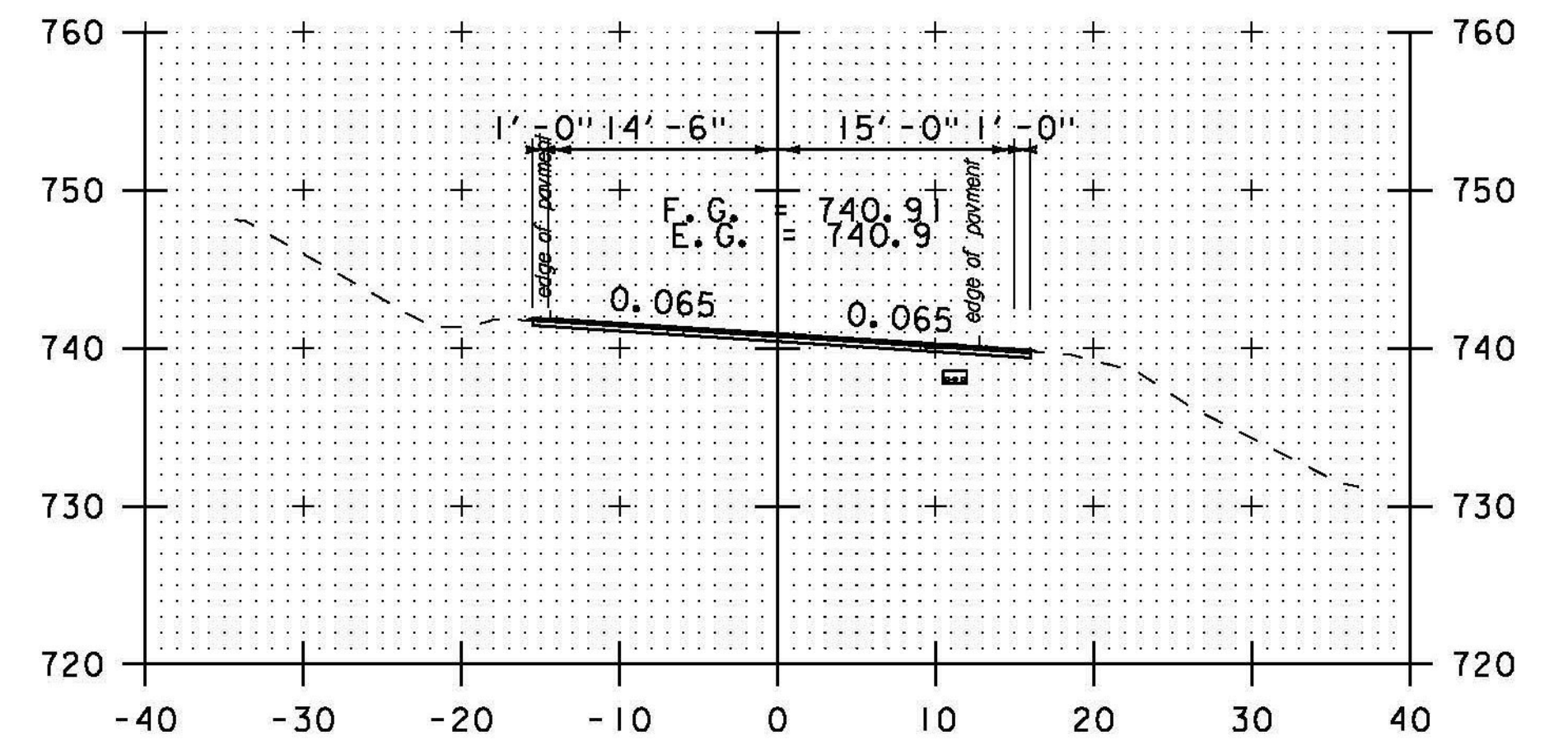
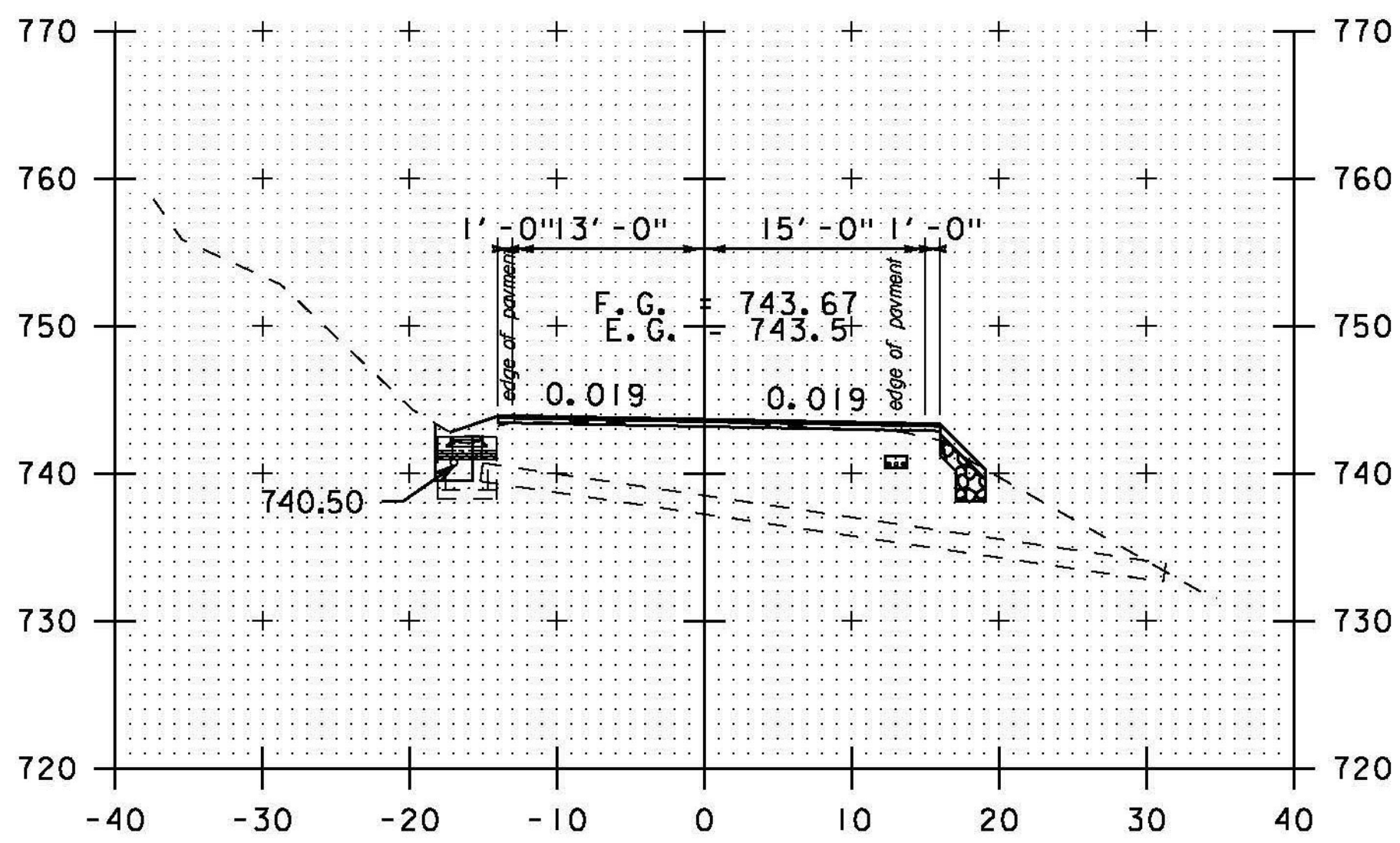


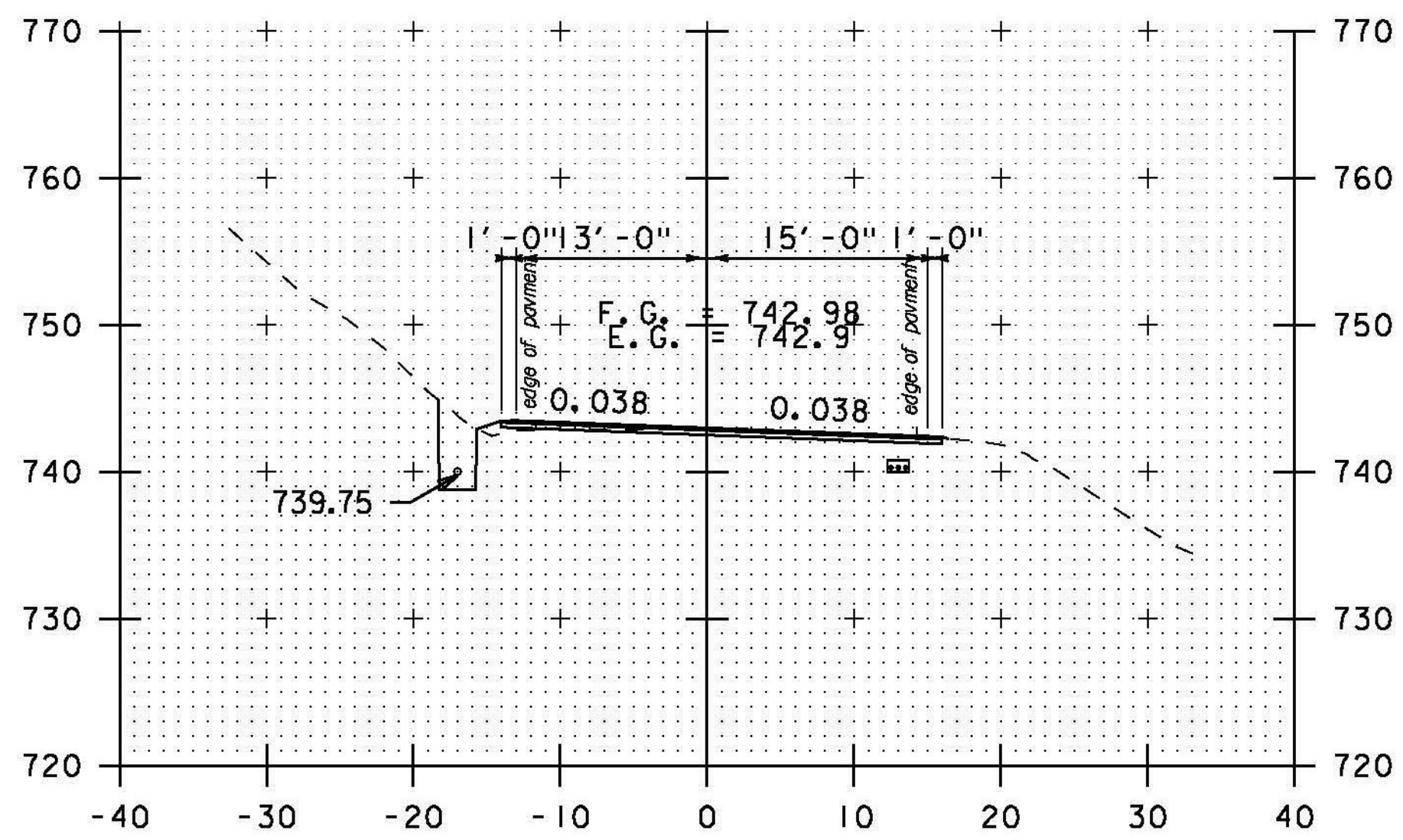
A 13+50



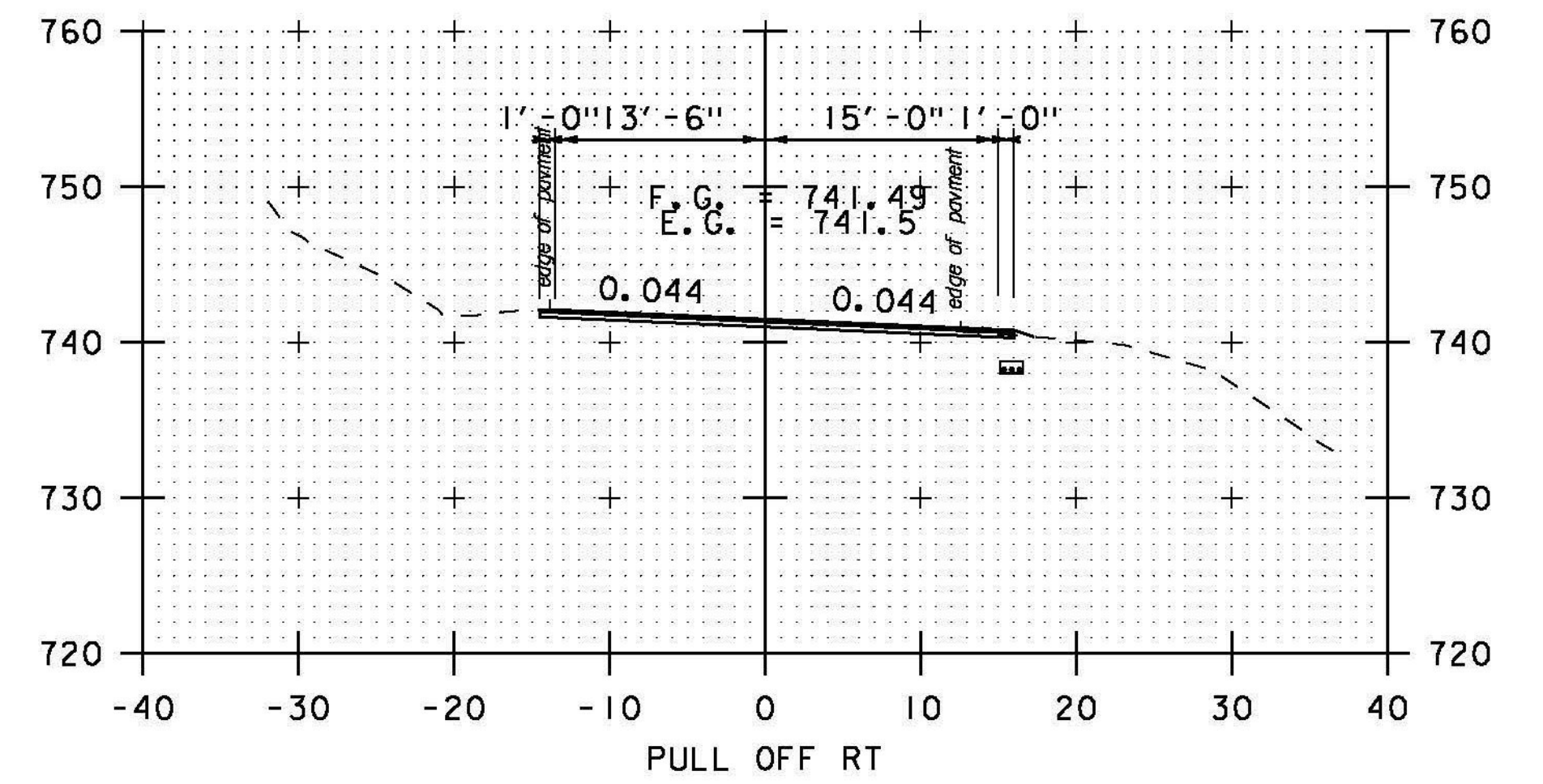
A 15+00



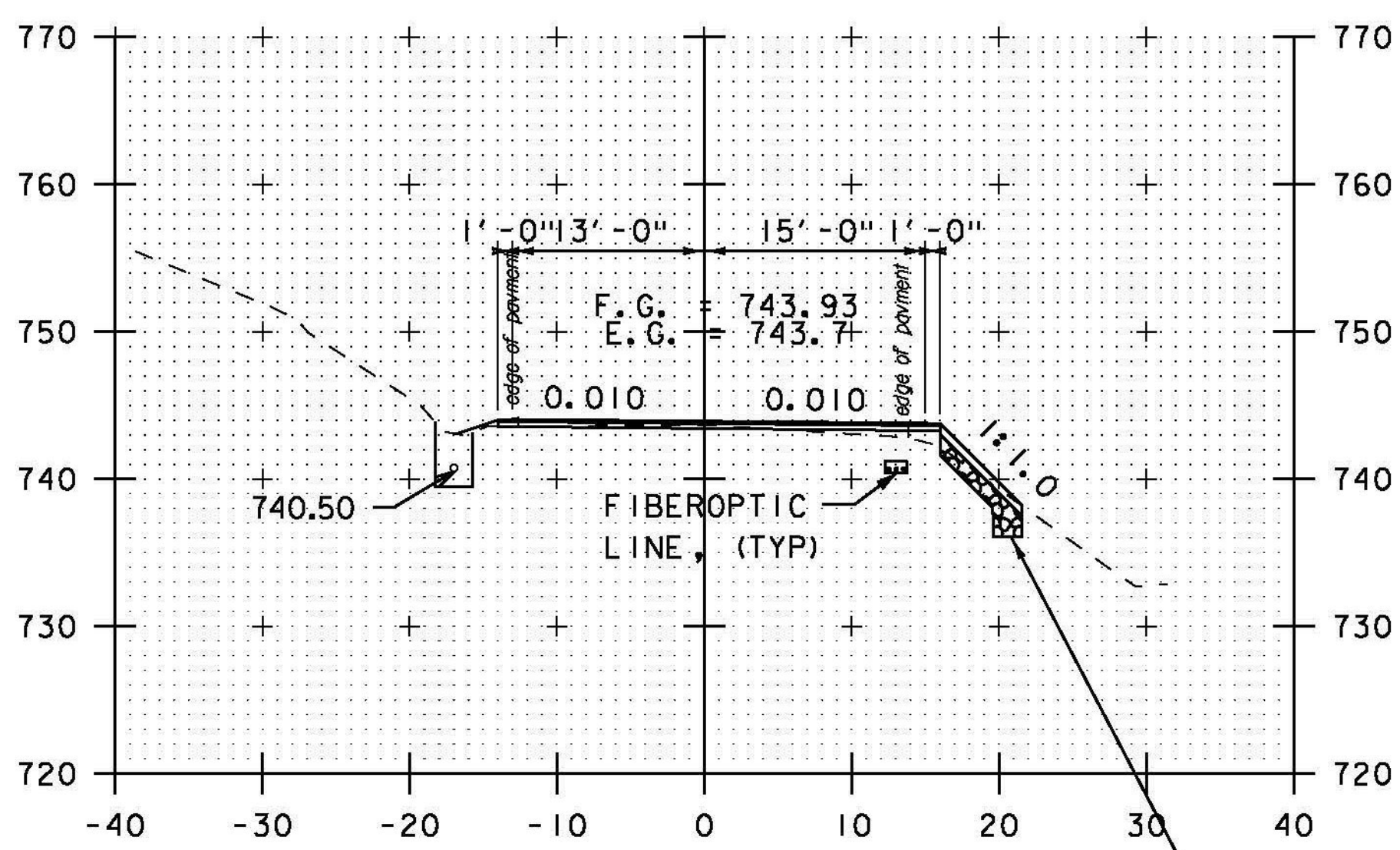
A 12+00



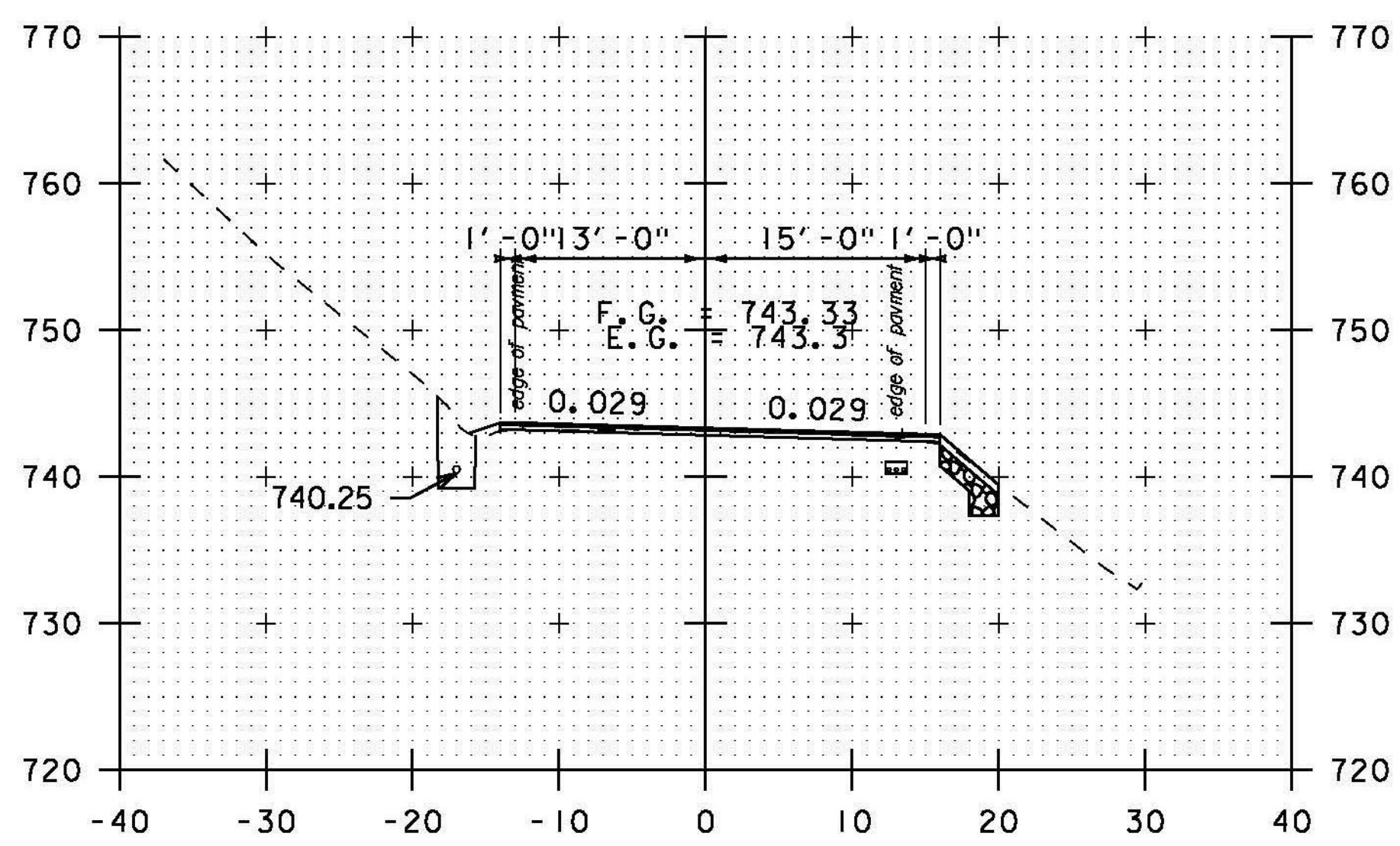
A 13+00



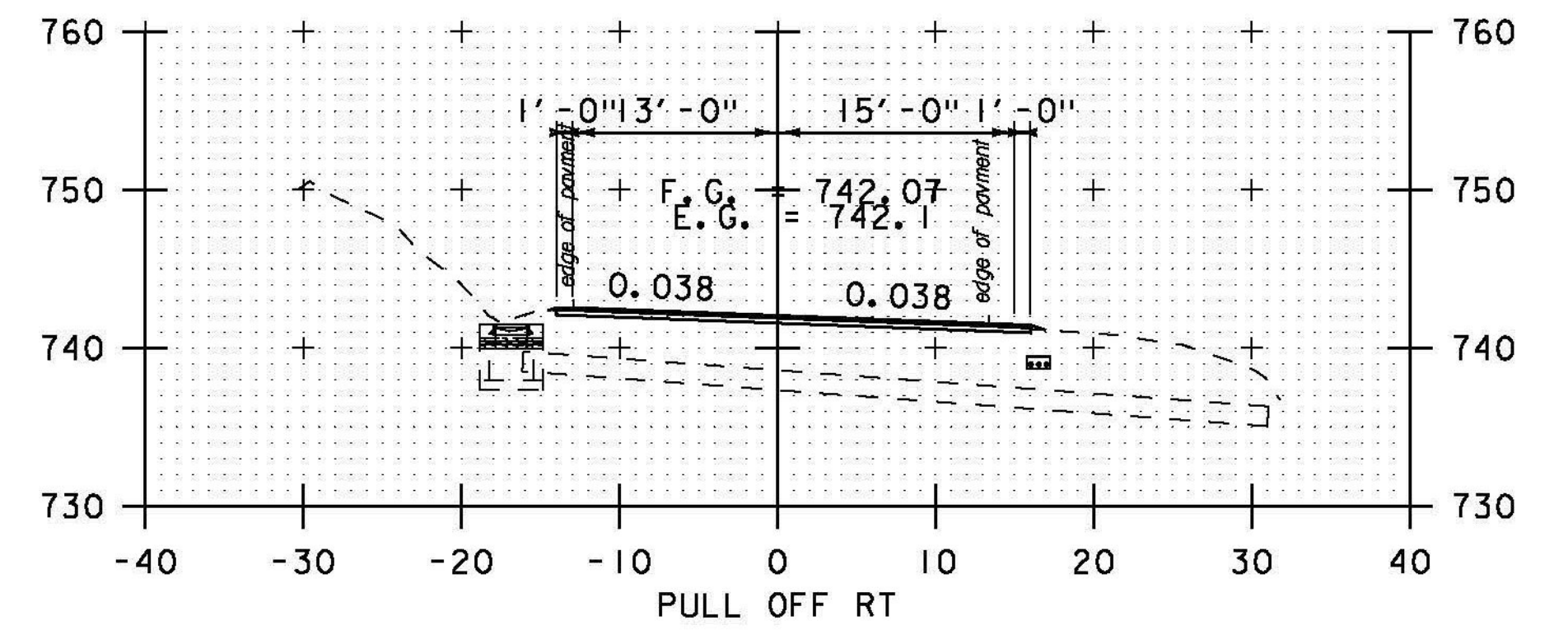
A 14+50



A 11+50



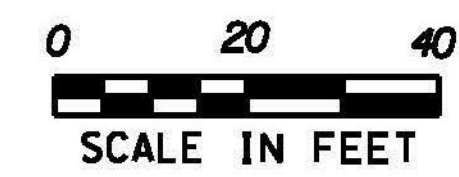
A 12+50



A 14+00

12" STONE FILL, TYPE I (TYP.)
6" GRUBBING MATERIAL (TYP.)
GEOTEXTILE UNDER STONE FILL (TYP.)

STA. A 11+50 TO STA. A 15+00



PROJECT NAME: BETHEL-RANDOLPH	
PROJECT NUMBER: STP 292(I)	
FILE NAME: piOC244.dgn	PLOT DATE: 4/23/2015
PROJECT LEADER: C. LATHROP	DRAWN BY: S. LAMPHERE
DESIGNED BY: S. LAMPHERE	CHECKED BY: C. LATHROP
CROSS SECTION SHEET 53	SHEET 187 OF 211