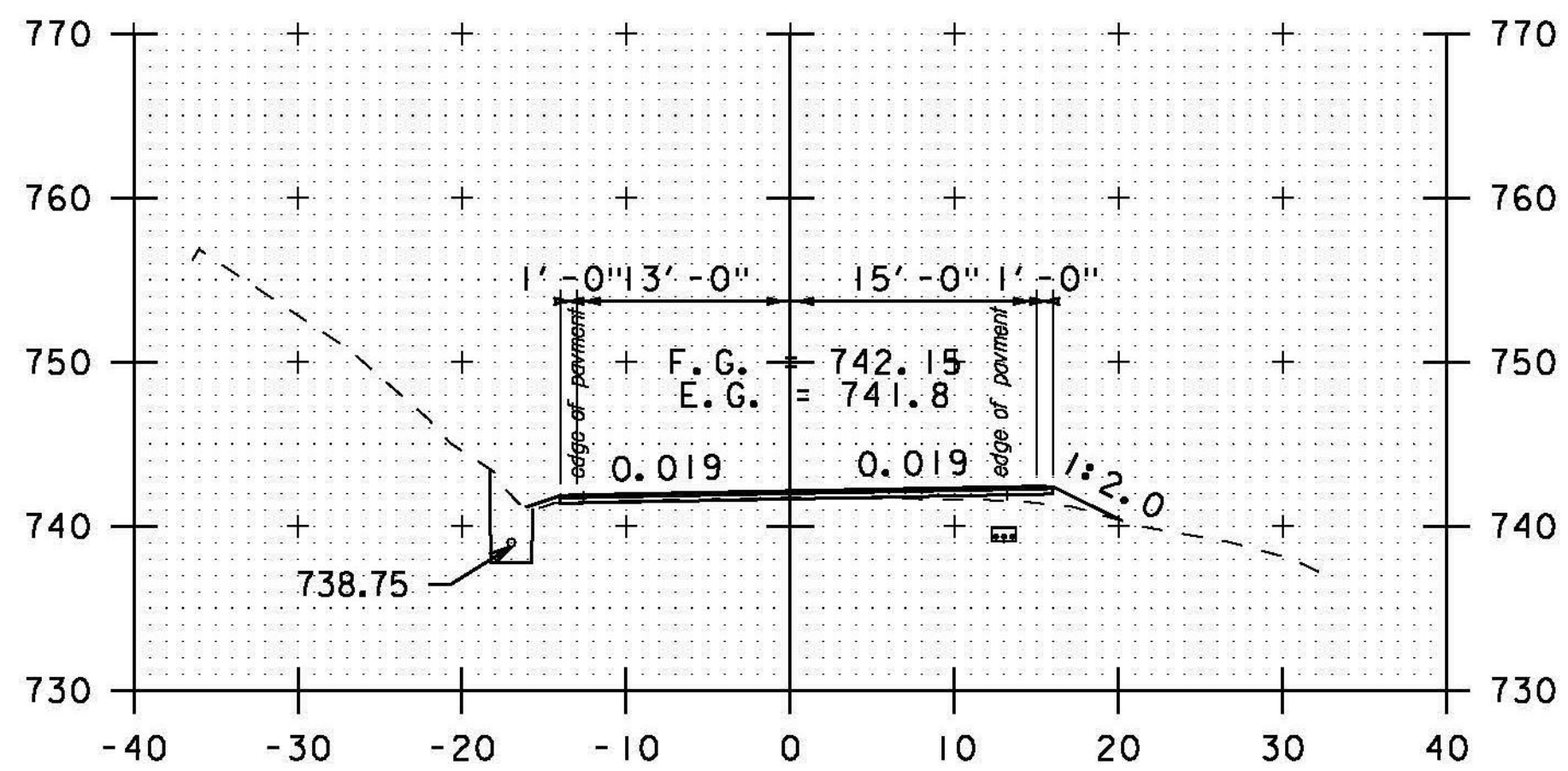
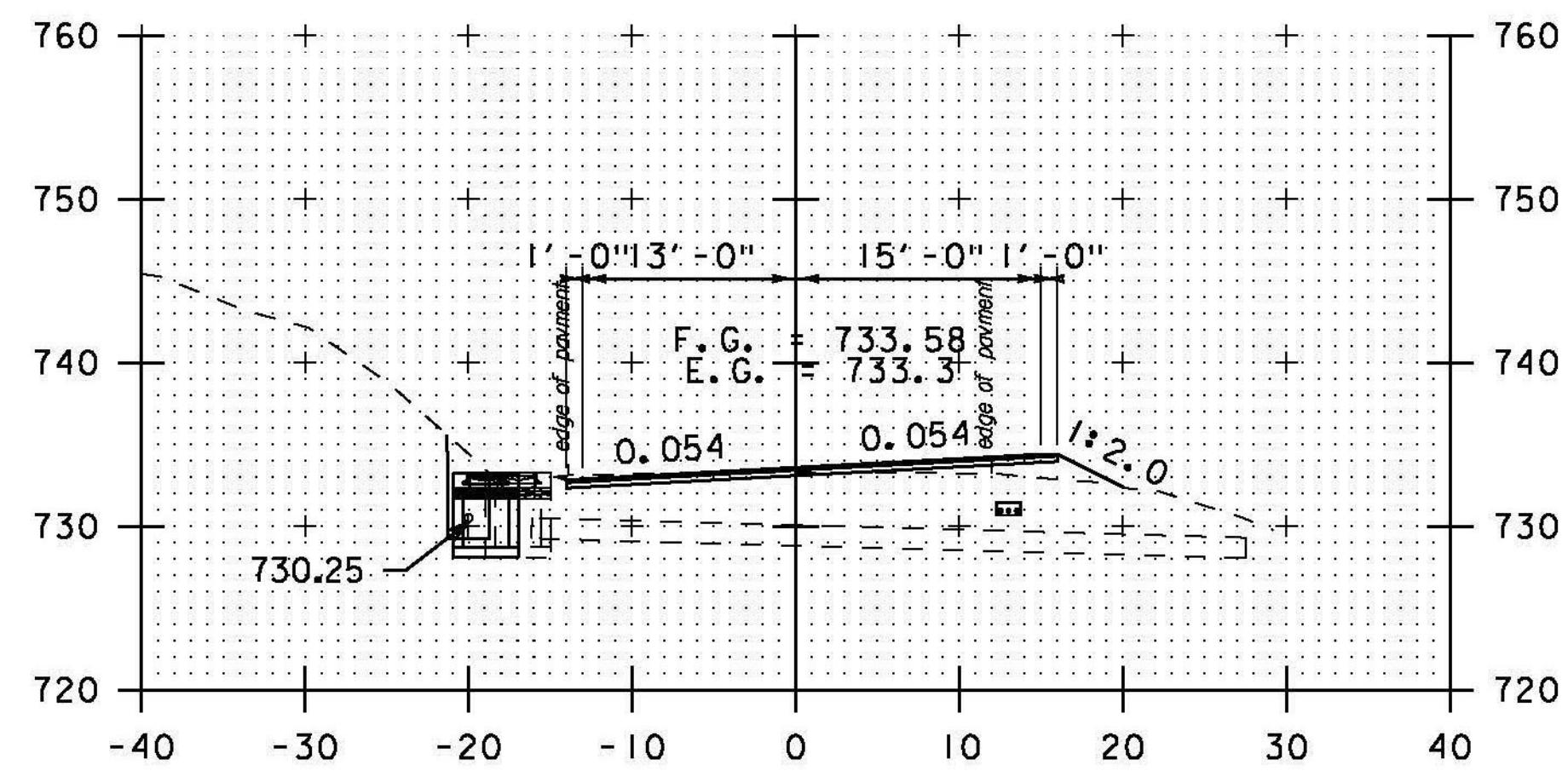


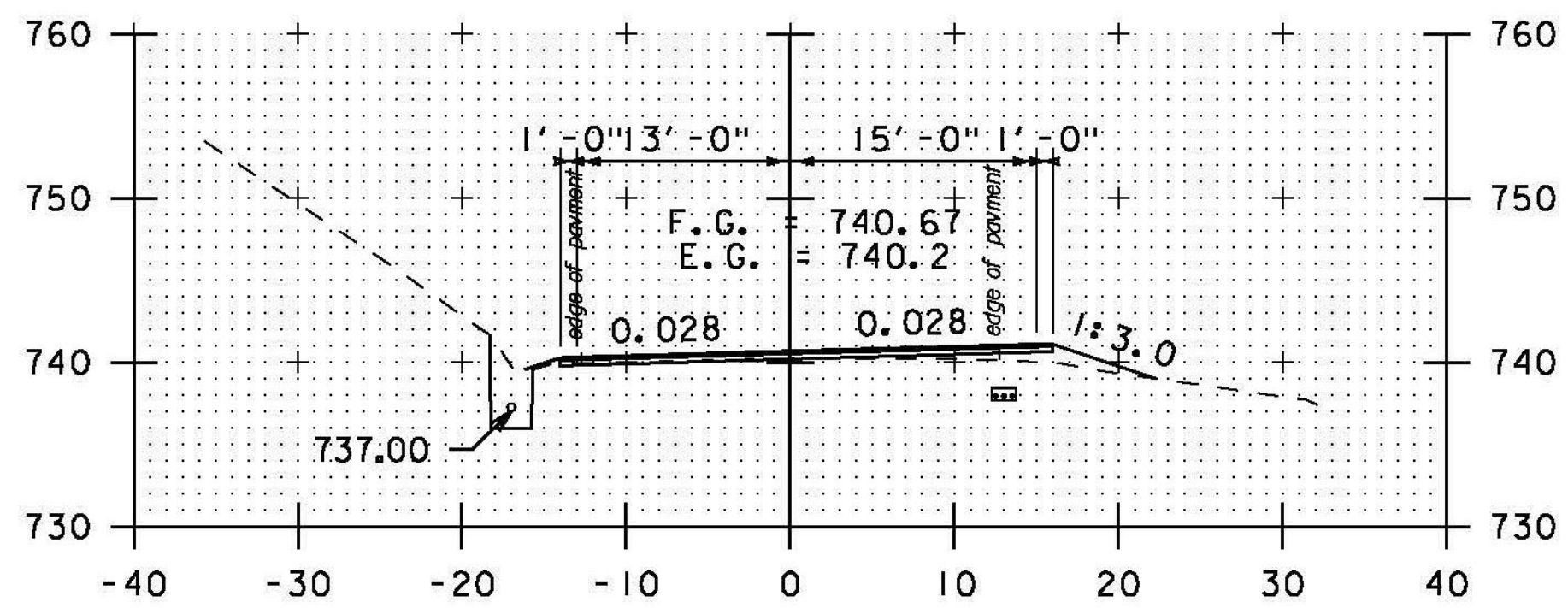
A 8+50



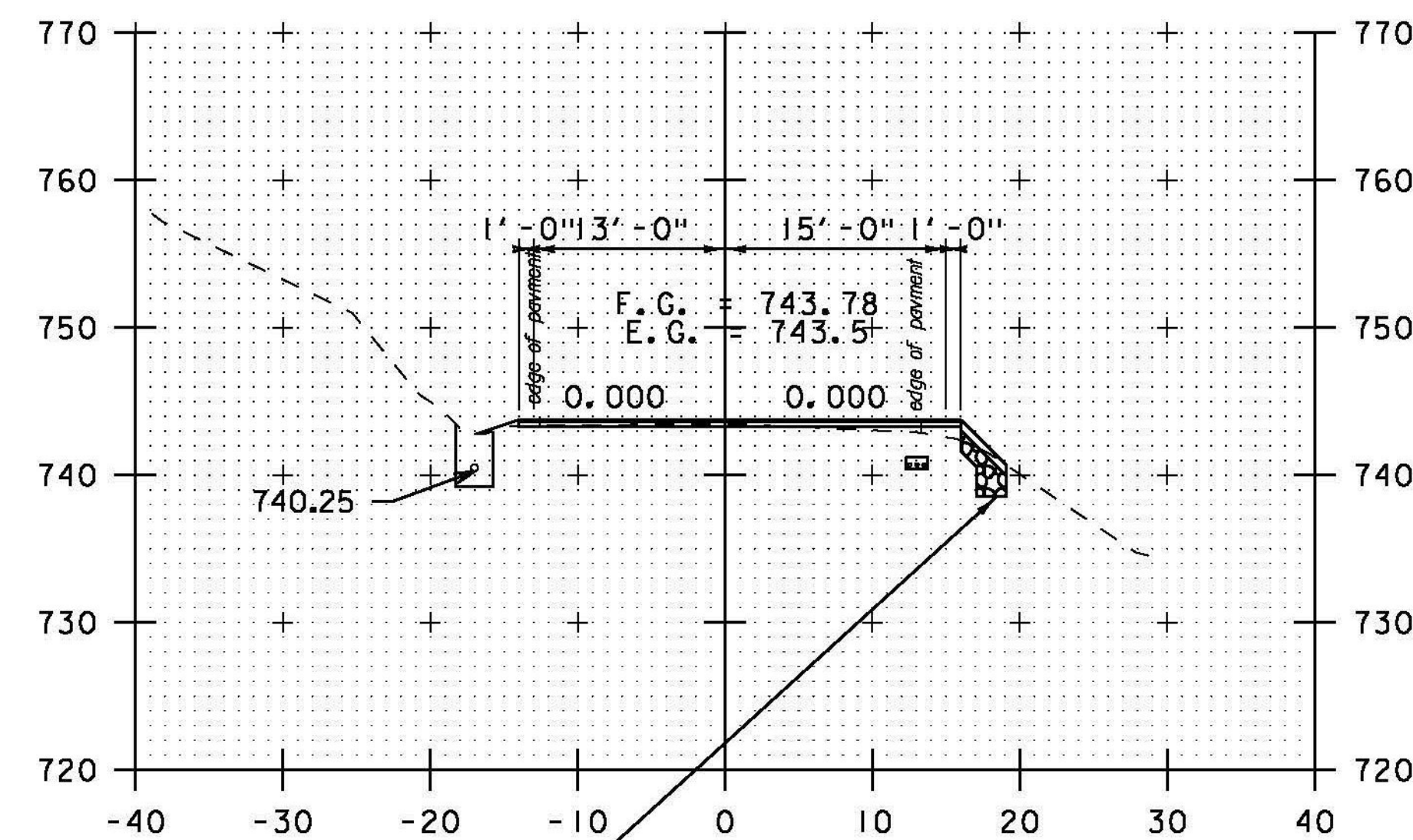
A 10+00



A 8+00

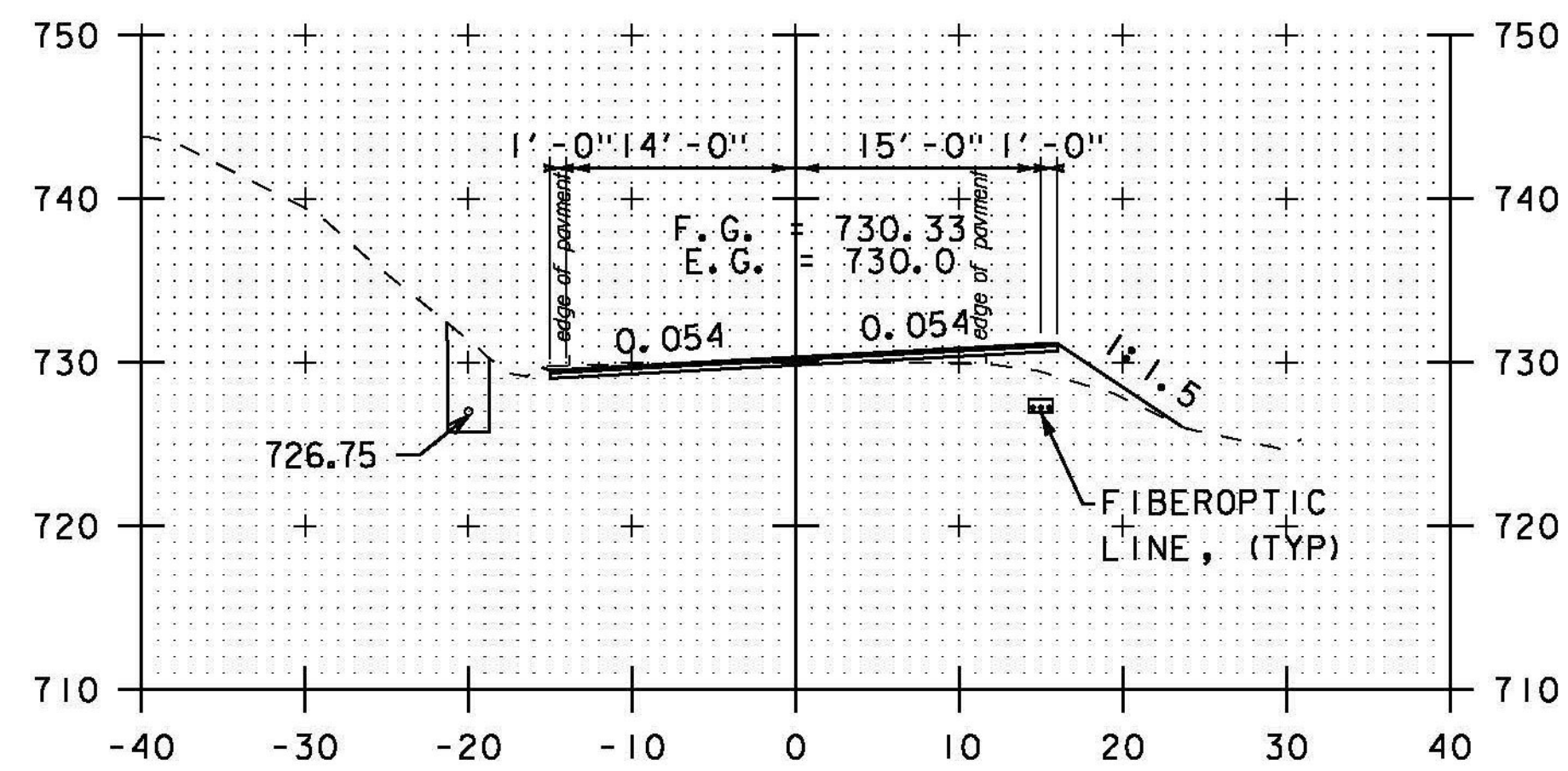


A 9+50

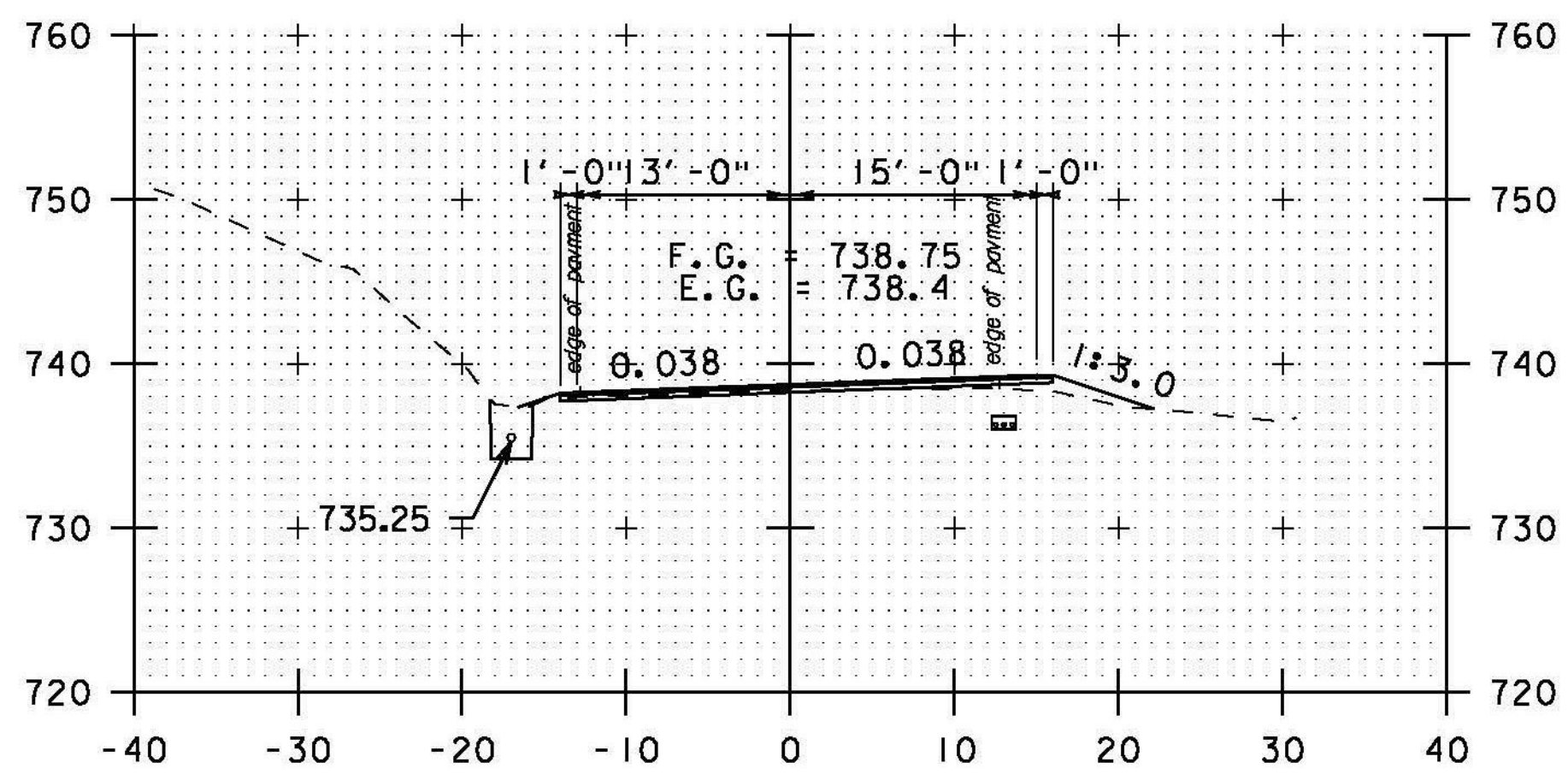


A 11+00

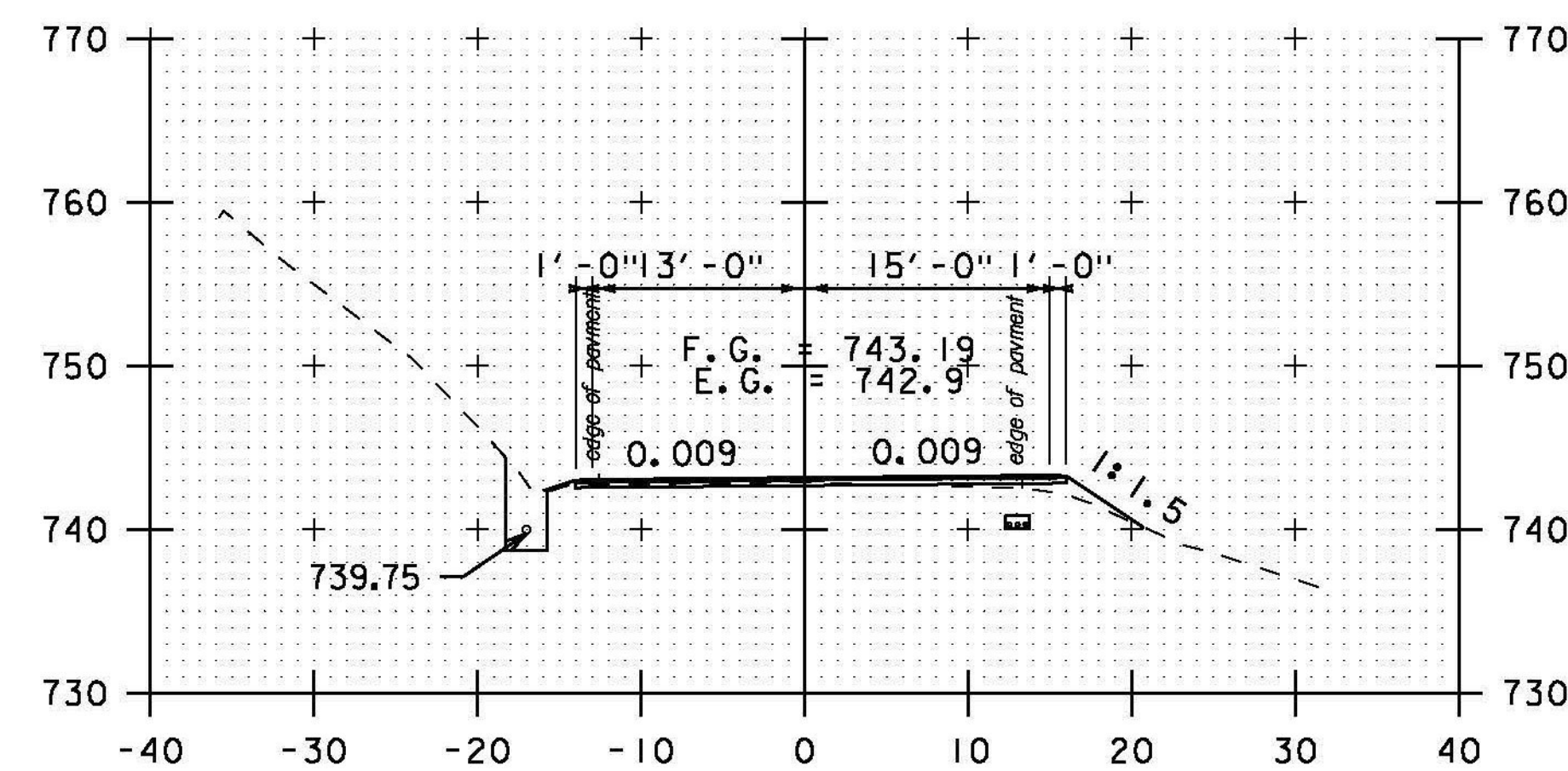
12" STONE FILL, TYPE I (TYP.)
6" GRUBBING MATERIAL (TYP.)
GEOTEXTILE UNDER STONE FILL (TYP.)



A 7+50

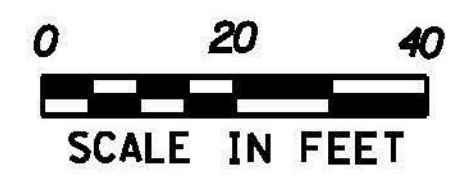


A 9+00



A 10+50

PROJECT NAME: BETHEL-RANDOLPH
PROJECT NUMBER: STP 292(I)
FILE NAME: piOC244.dgn PLOT DATE: 4/23/2015
PROJECT LEADER: C. LATHROP DRAWN BY: S. LAMPHERE
DESIGNED BY: S. LAMPHERE CHECKED BY: C. LATHROP
CROSS SECTION SHEET 52 SHEET 186 OF 211



STA. A 7+50 TO STA. A 11+00