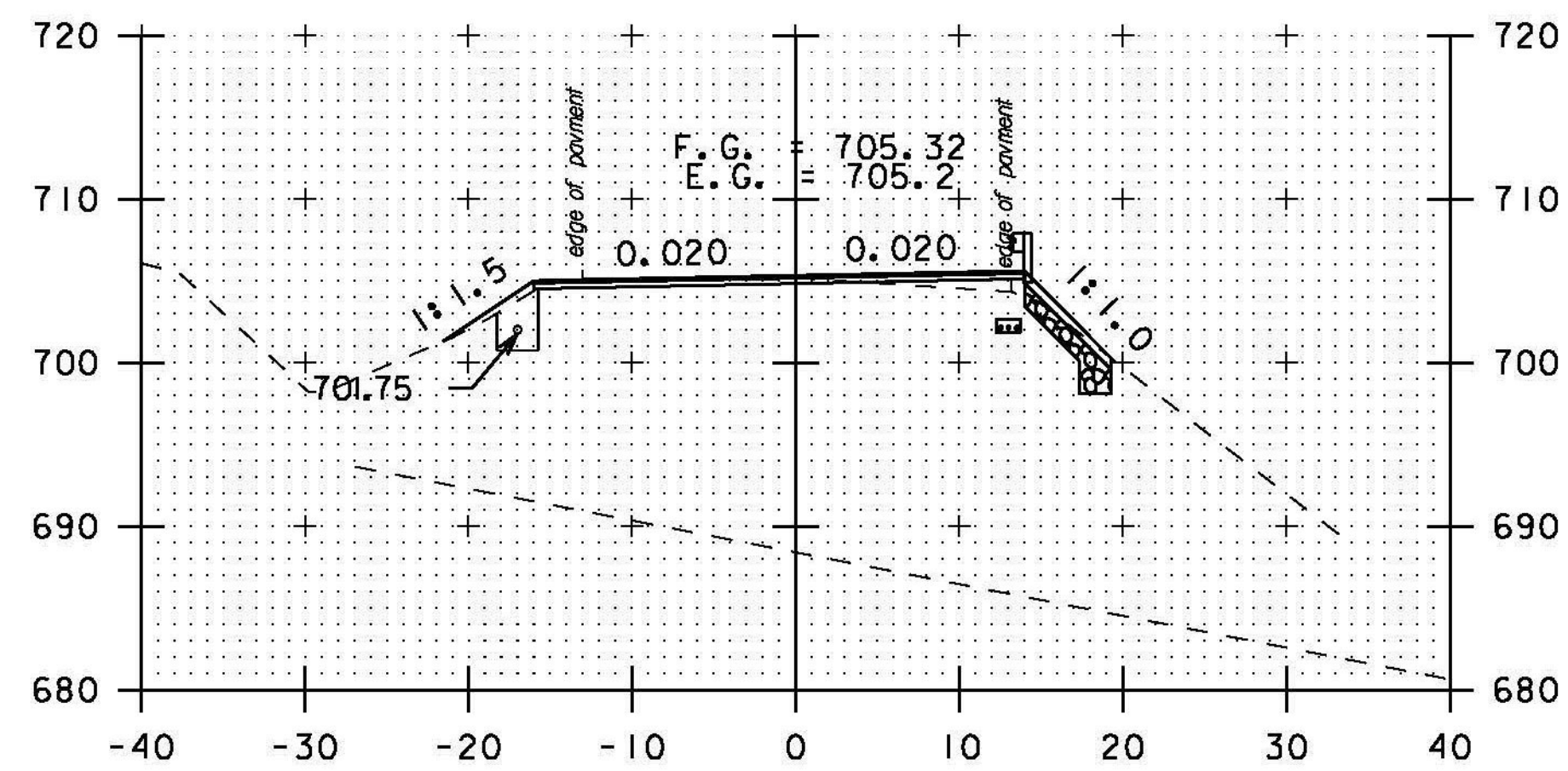
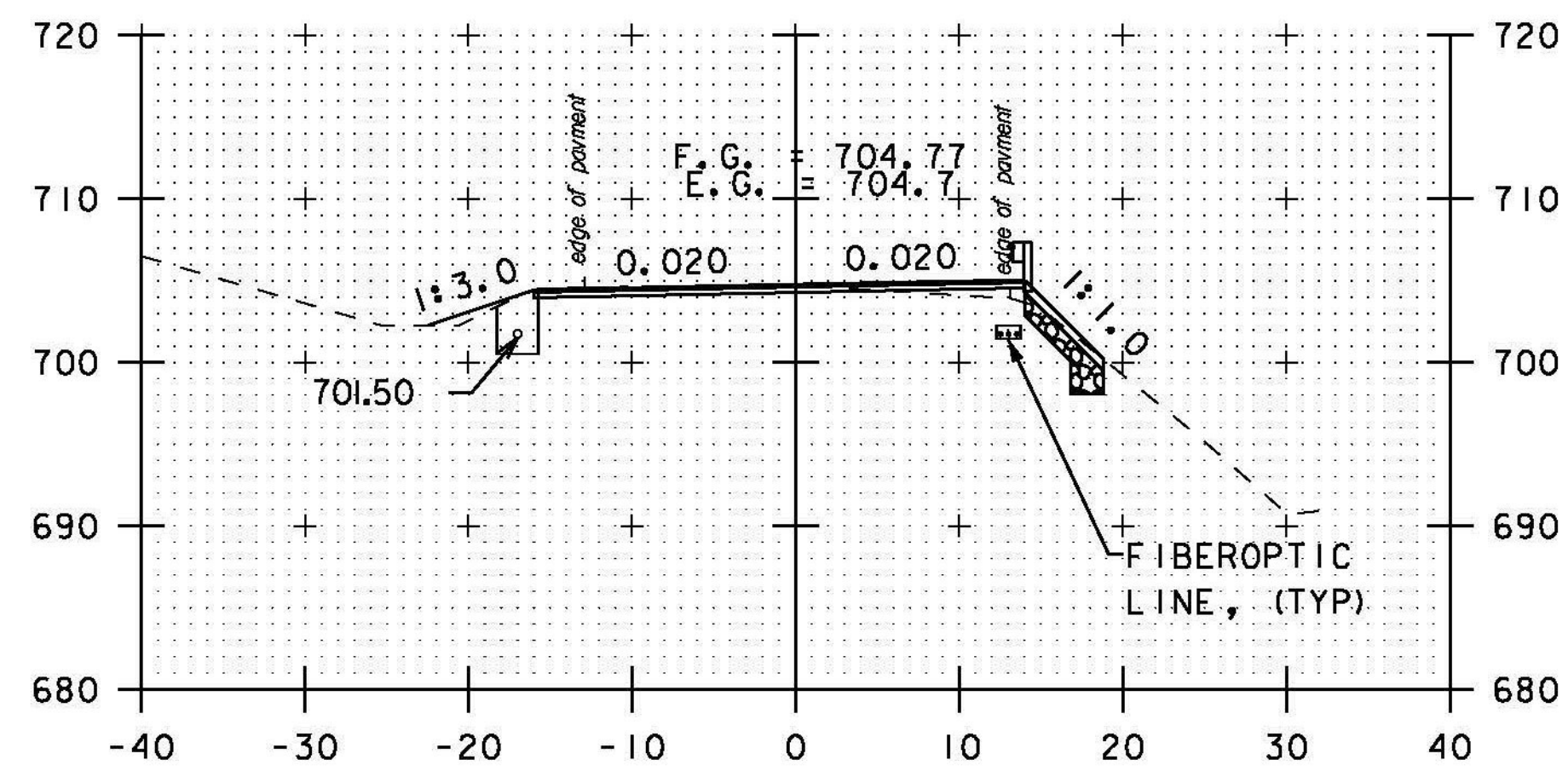


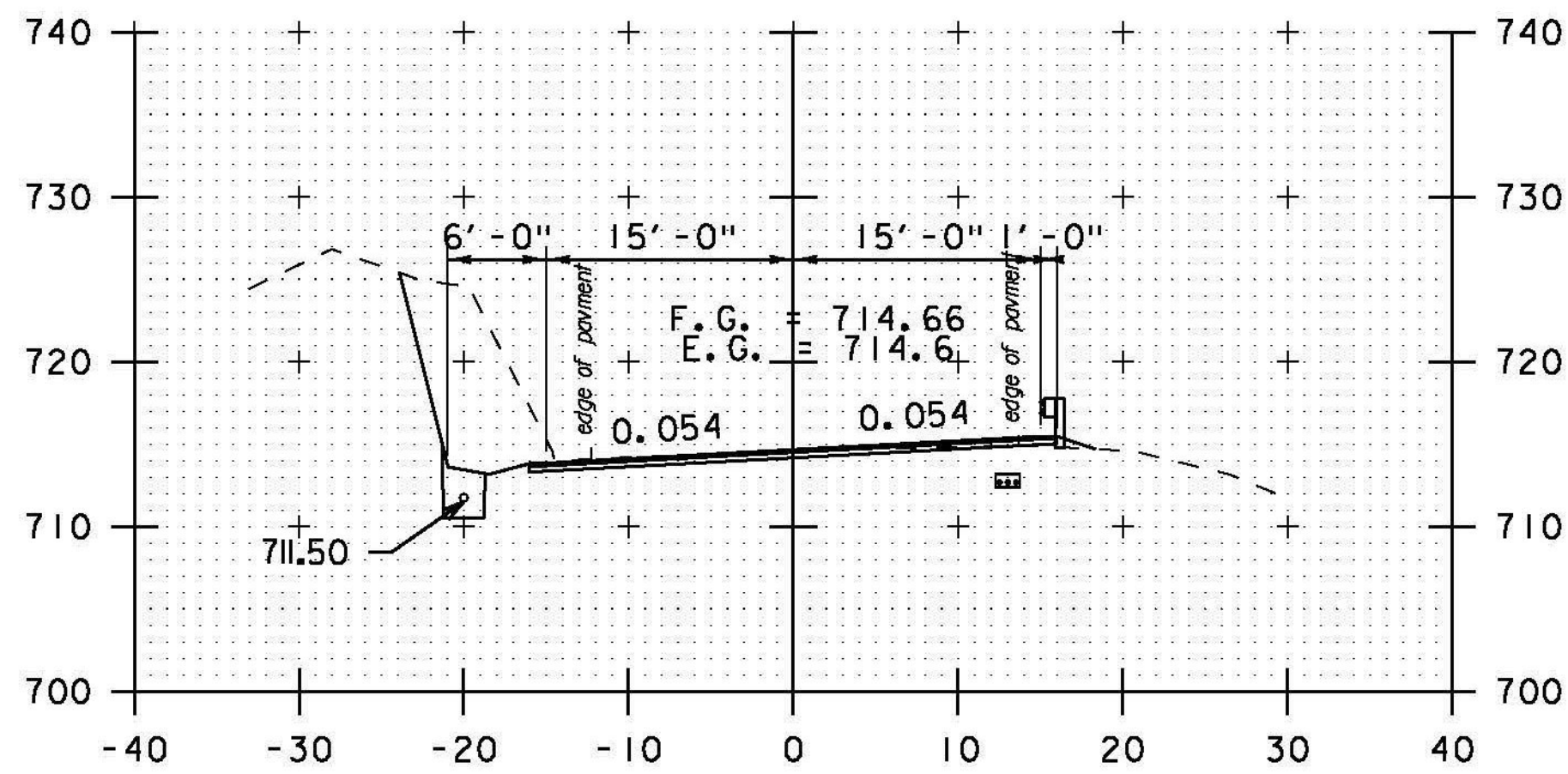
A 4+00



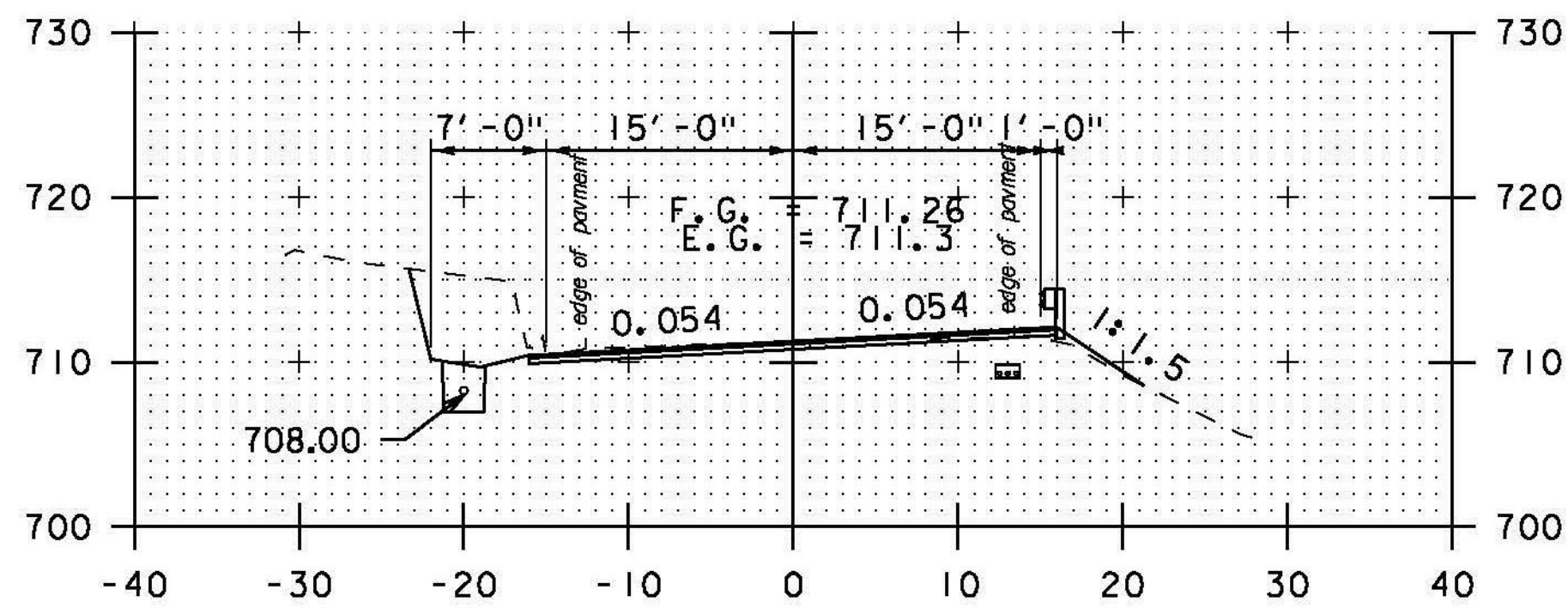
A 3+50



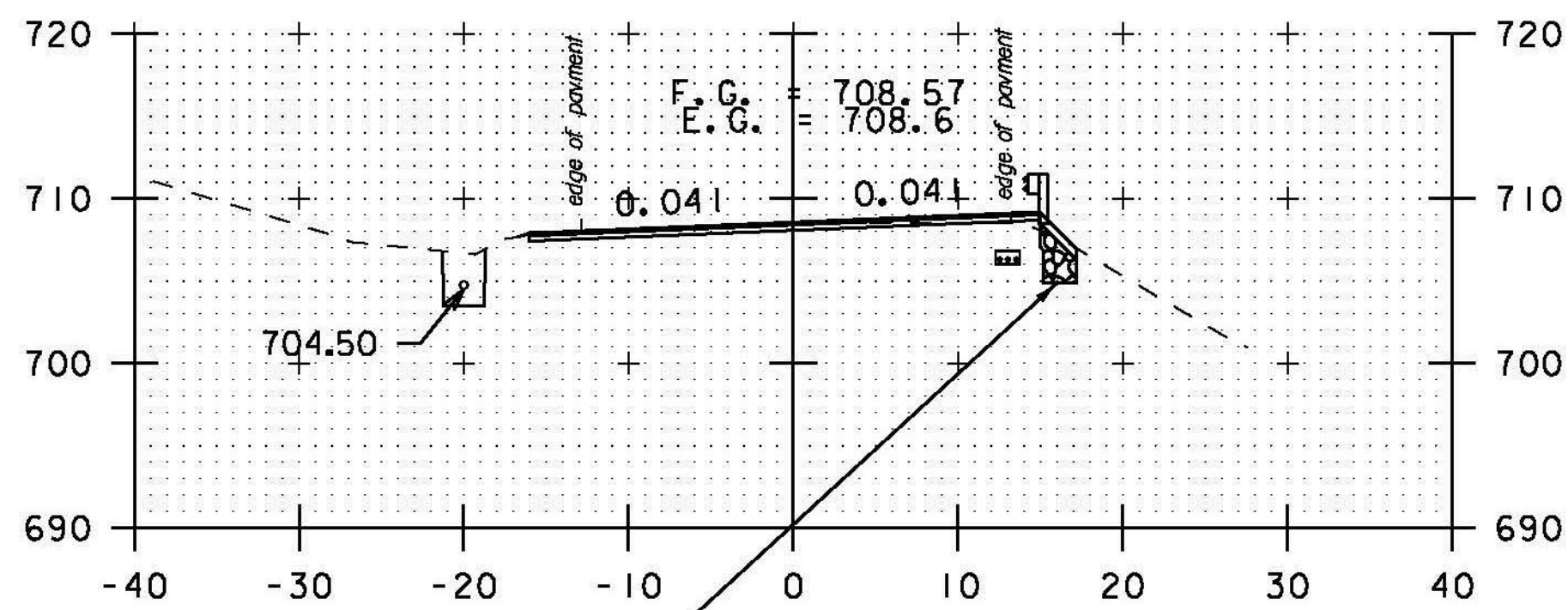
A 3+00



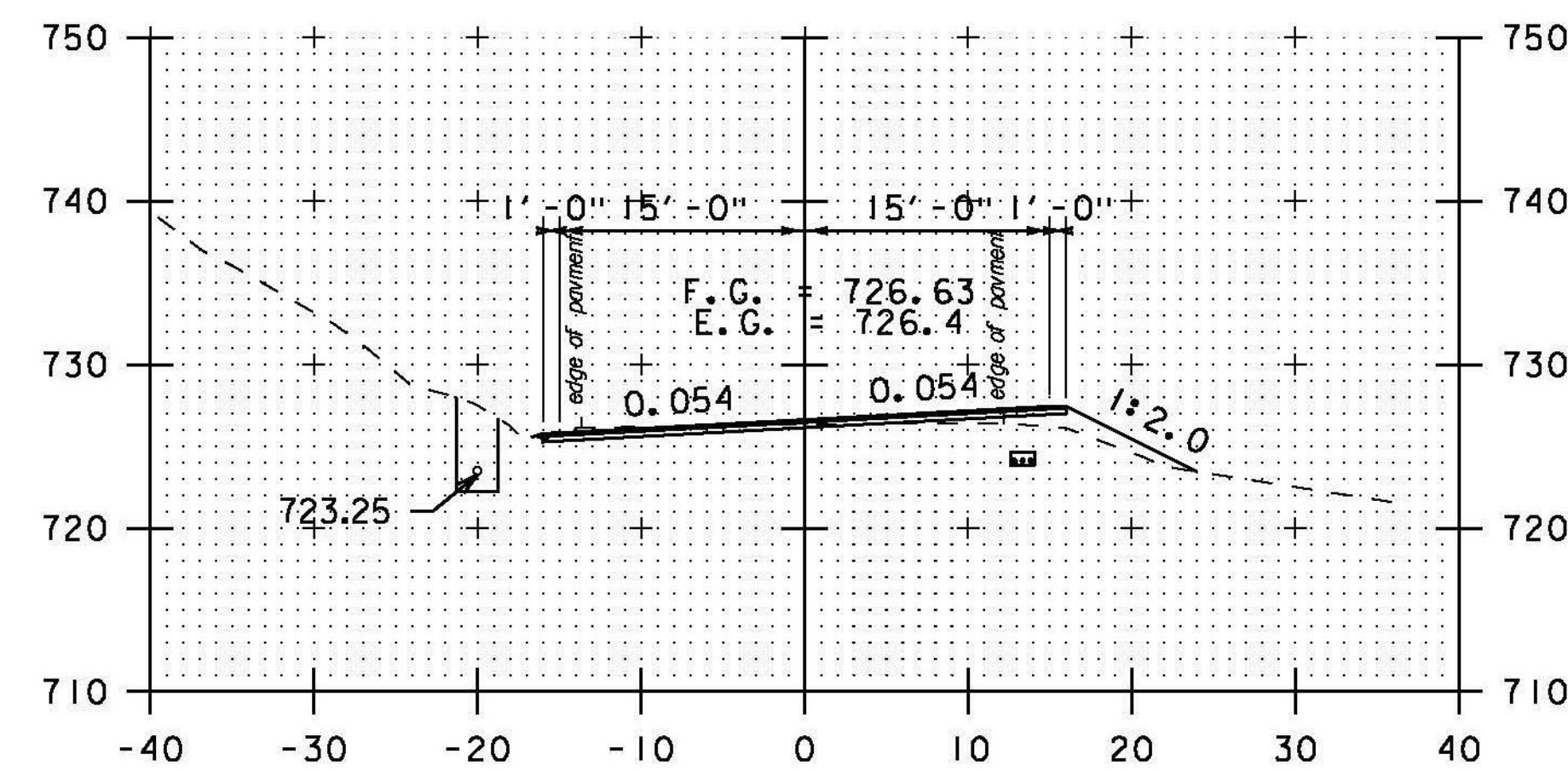
A 5+50



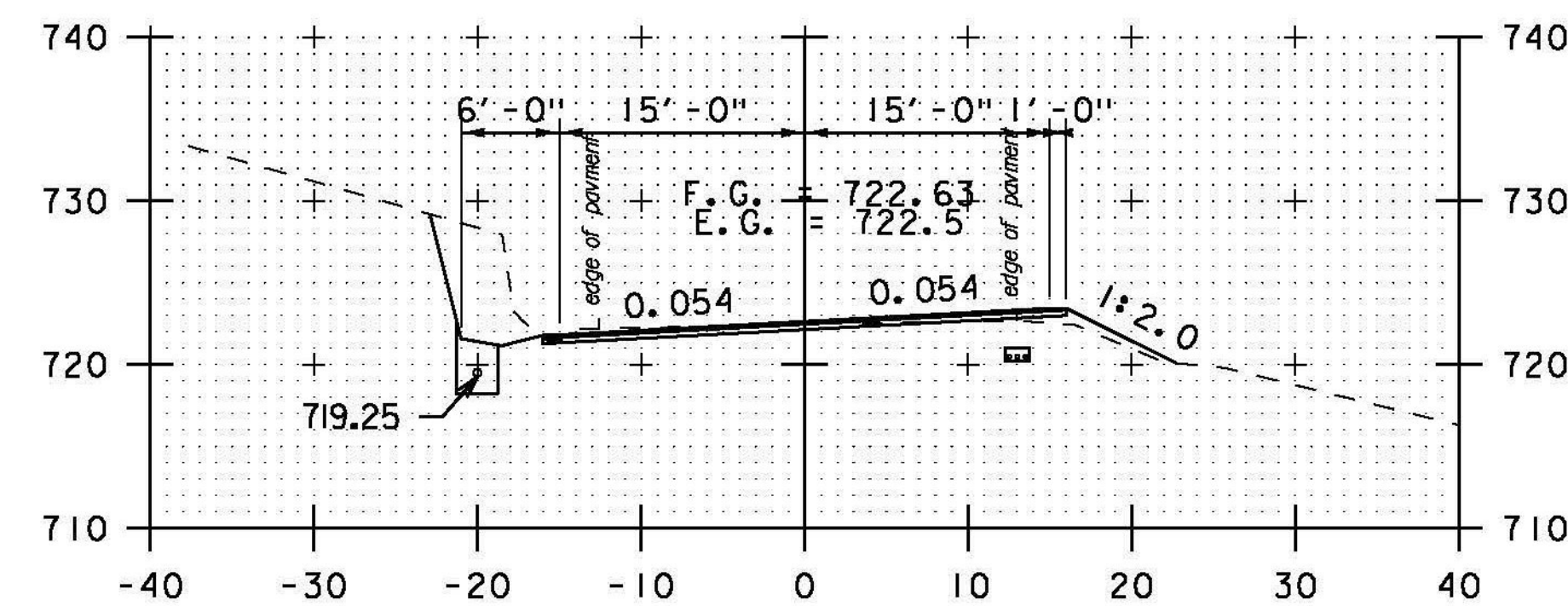
A 5+00



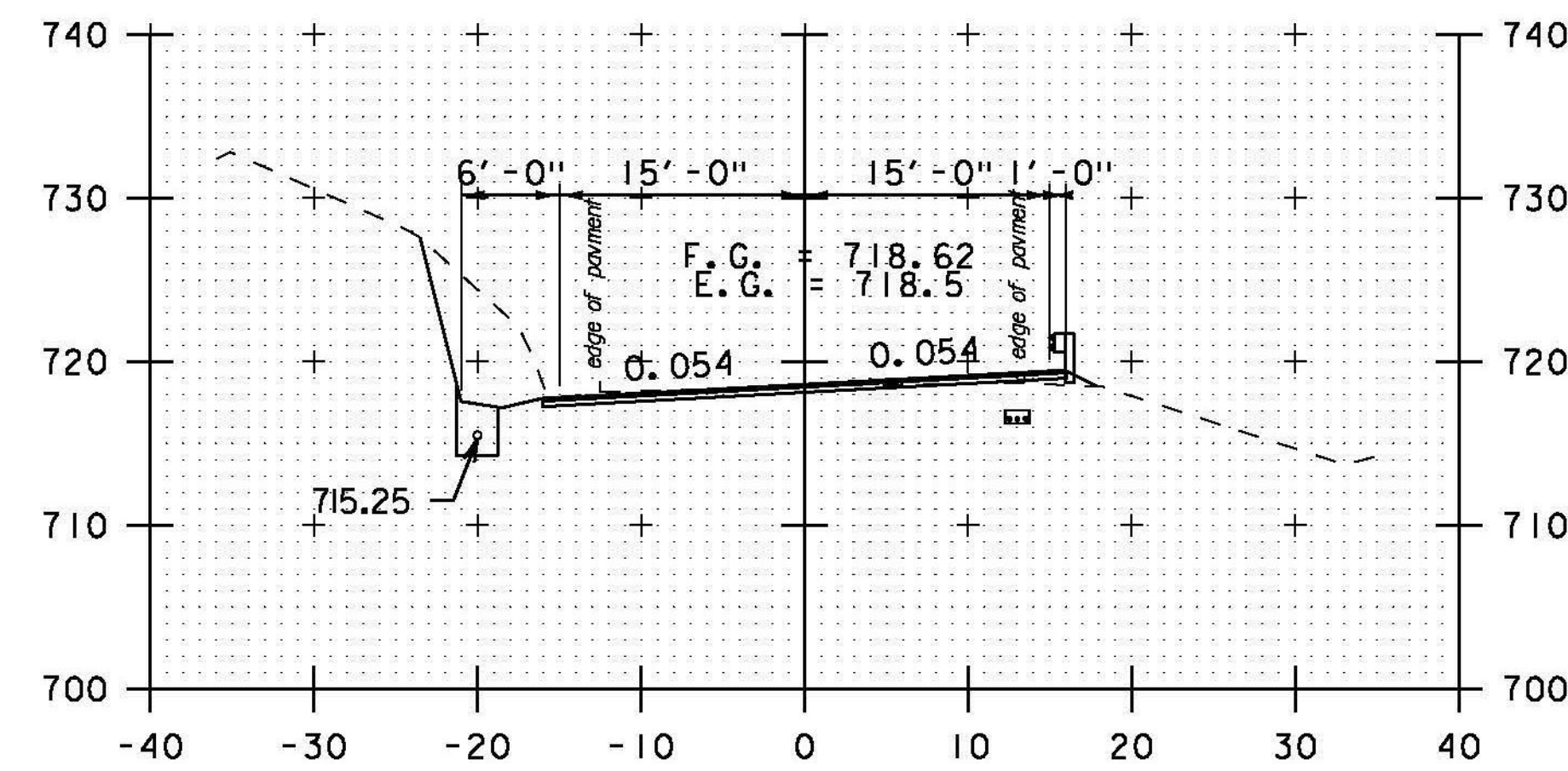
A 4+50



A 7+00



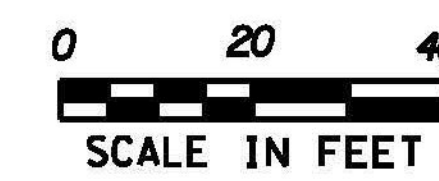
A 6+50



A 6+00

12" STONE FILL, TYPE I (TYP.)
6" GRUBBING MATERIAL (TYP.)
GEOTEXTILE UNDER STONE FILL (TYP.)

STA. A 3+00 TO STA. A 7+00



PROJECT NAME: BETHEL-RANDOLPH
PROJECT NUMBER: STP 292(I)

FILE NAME: piOC244.dgn
PROJECT LEADER: C. LATHROP
DESIGNED BY: S. LAMPHERE
CROSS SECTION SHEET 51

PLOT DATE: 4/23/2015
DRAWN BY: S. LAMPHERE
CHECKED BY: C. LATHROP
SHEET 185 OF 211