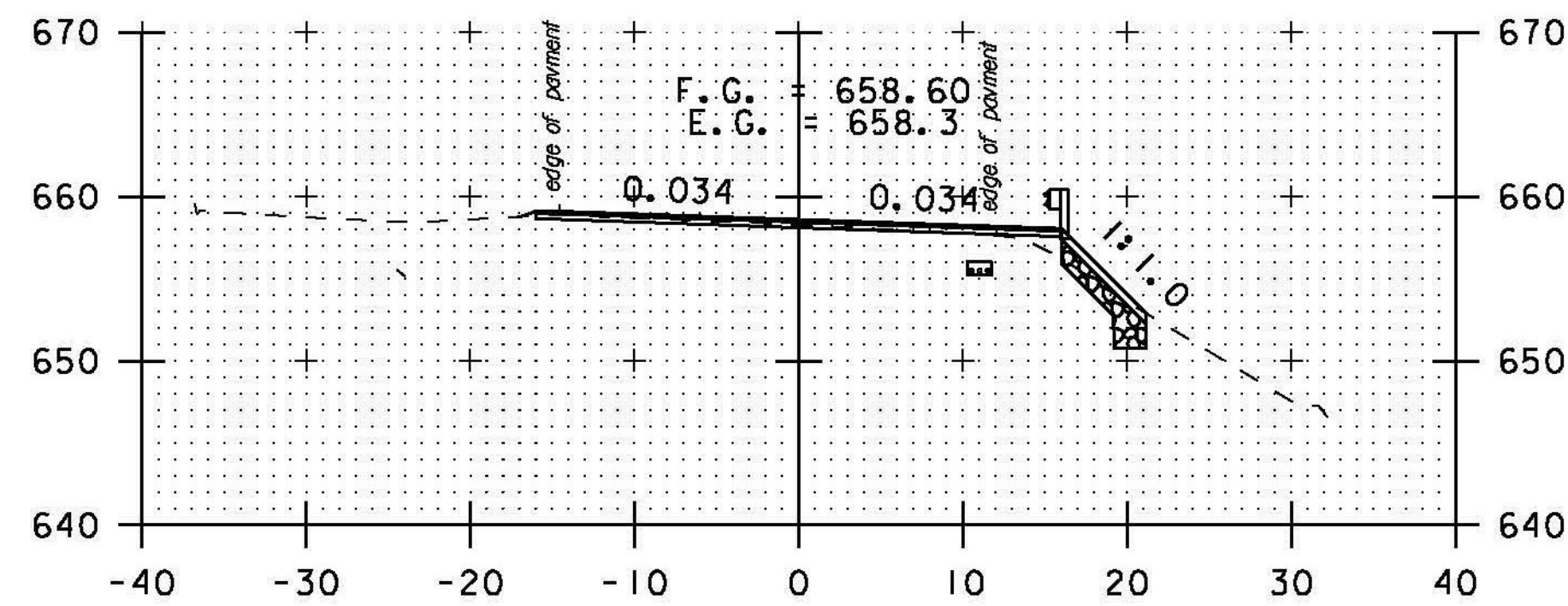
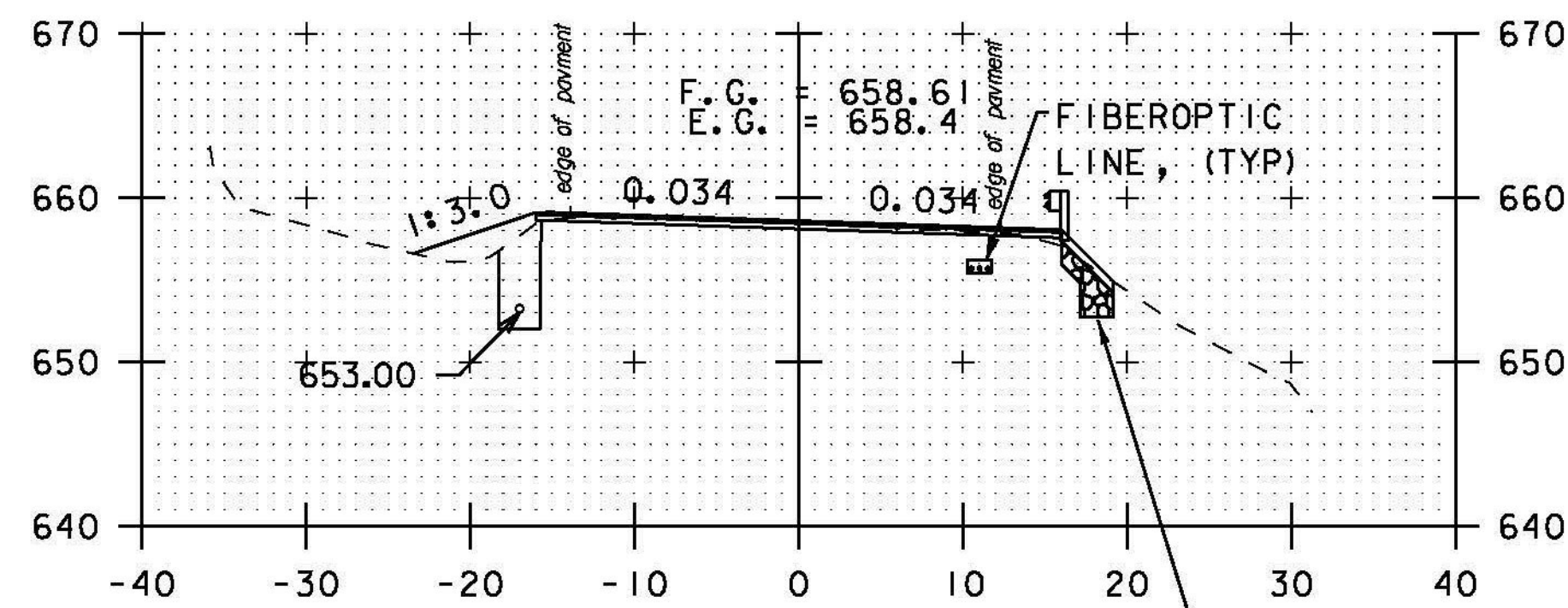


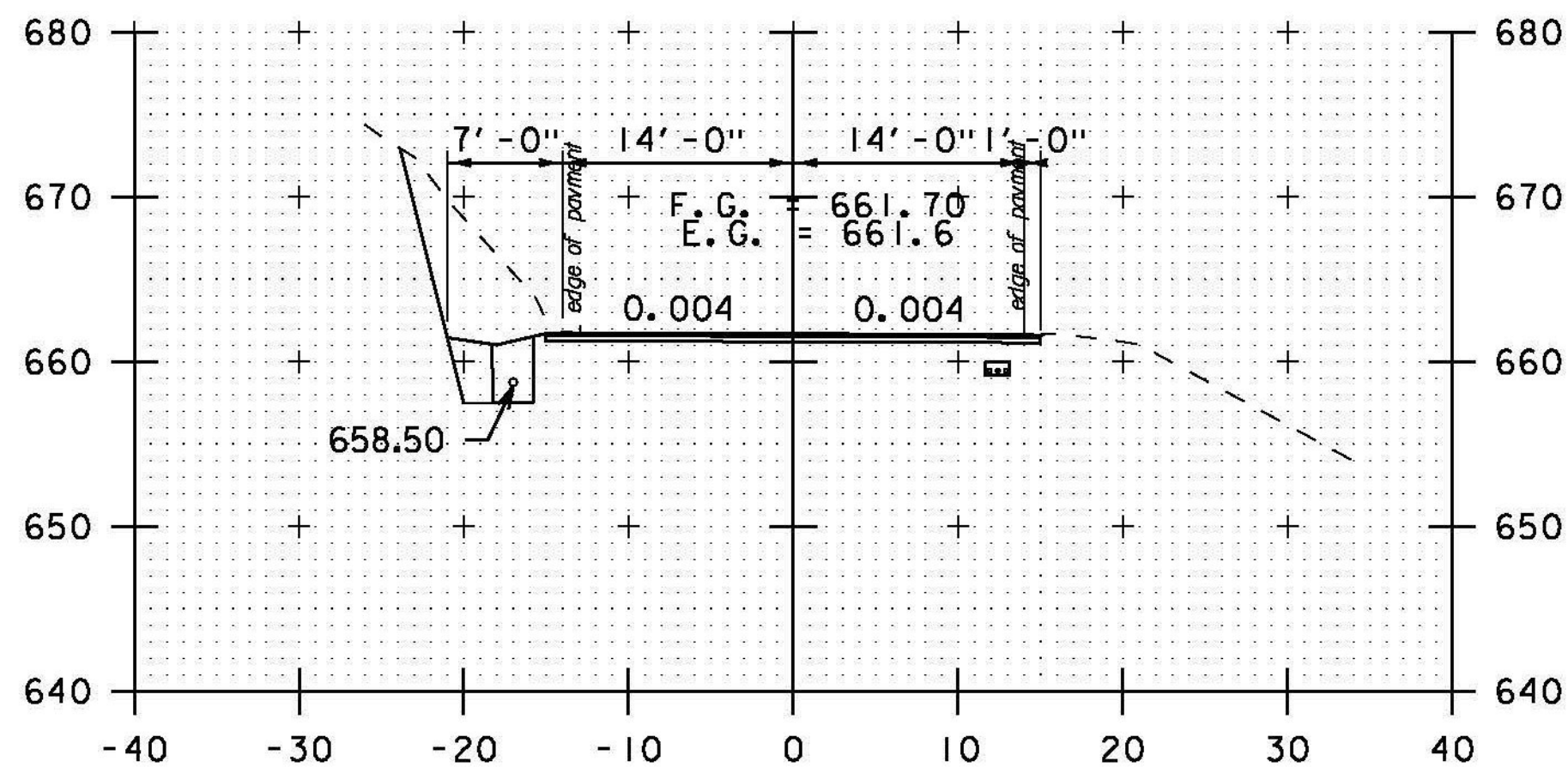
350+50



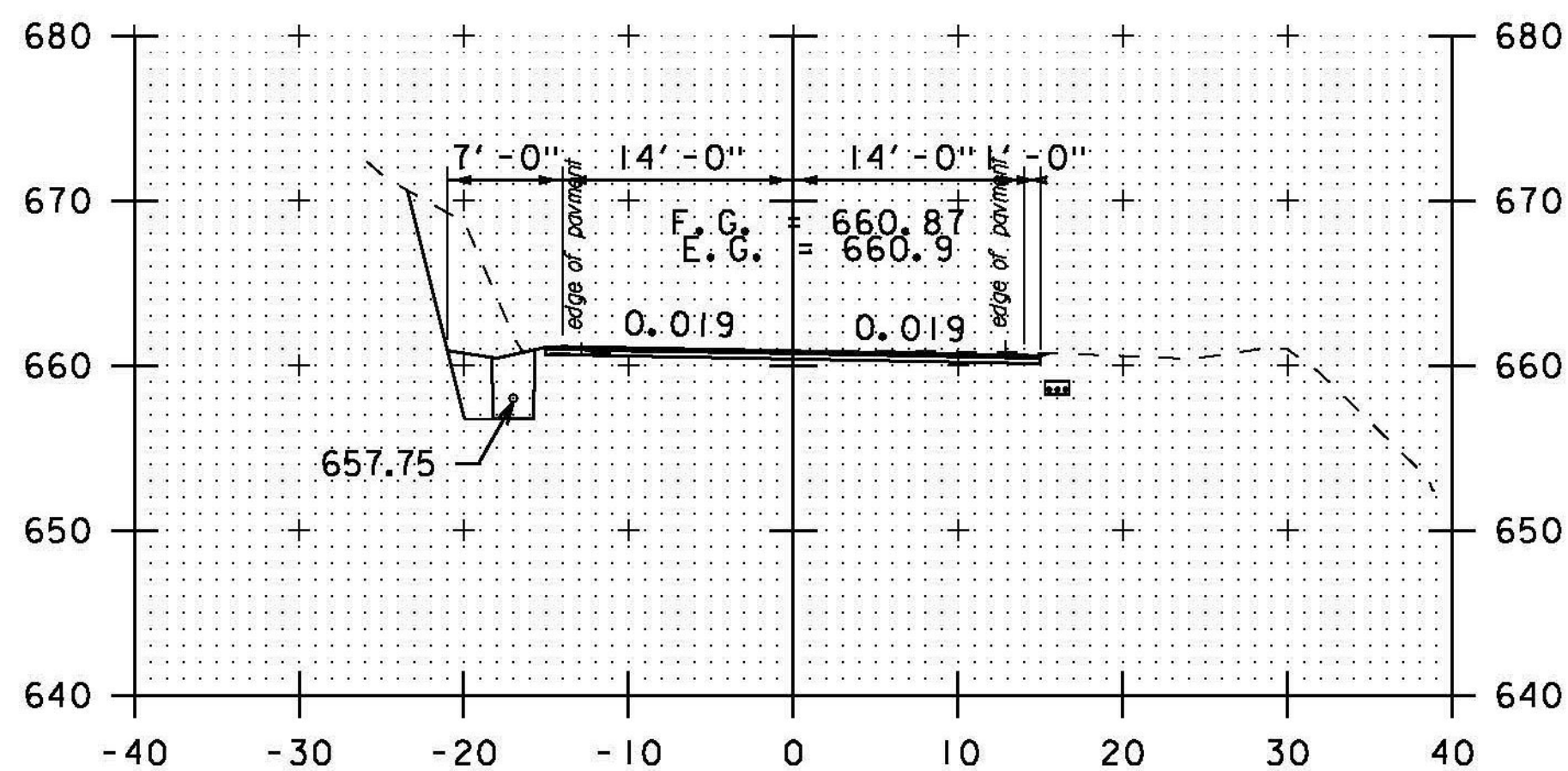
350+00



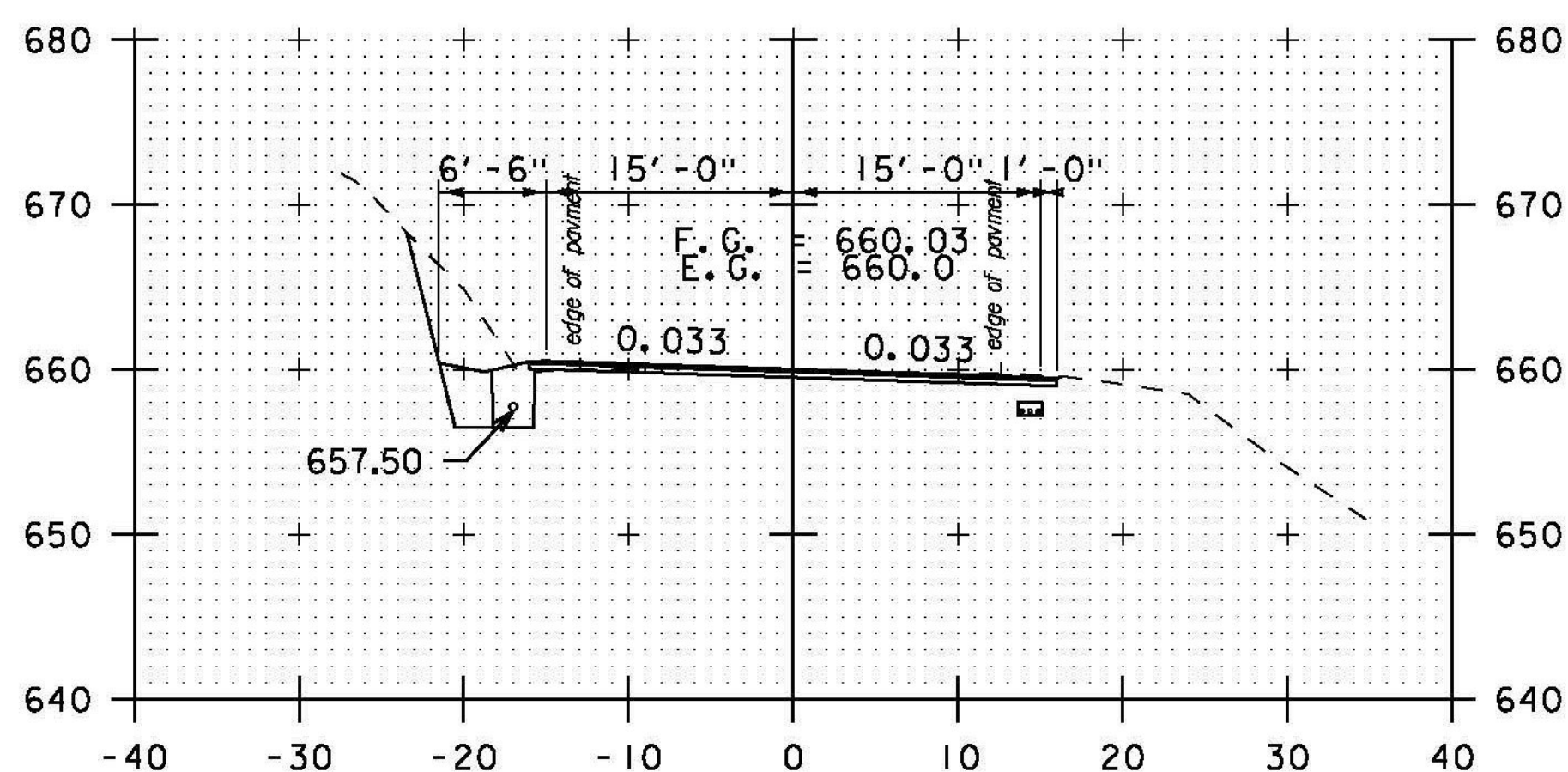
349+50



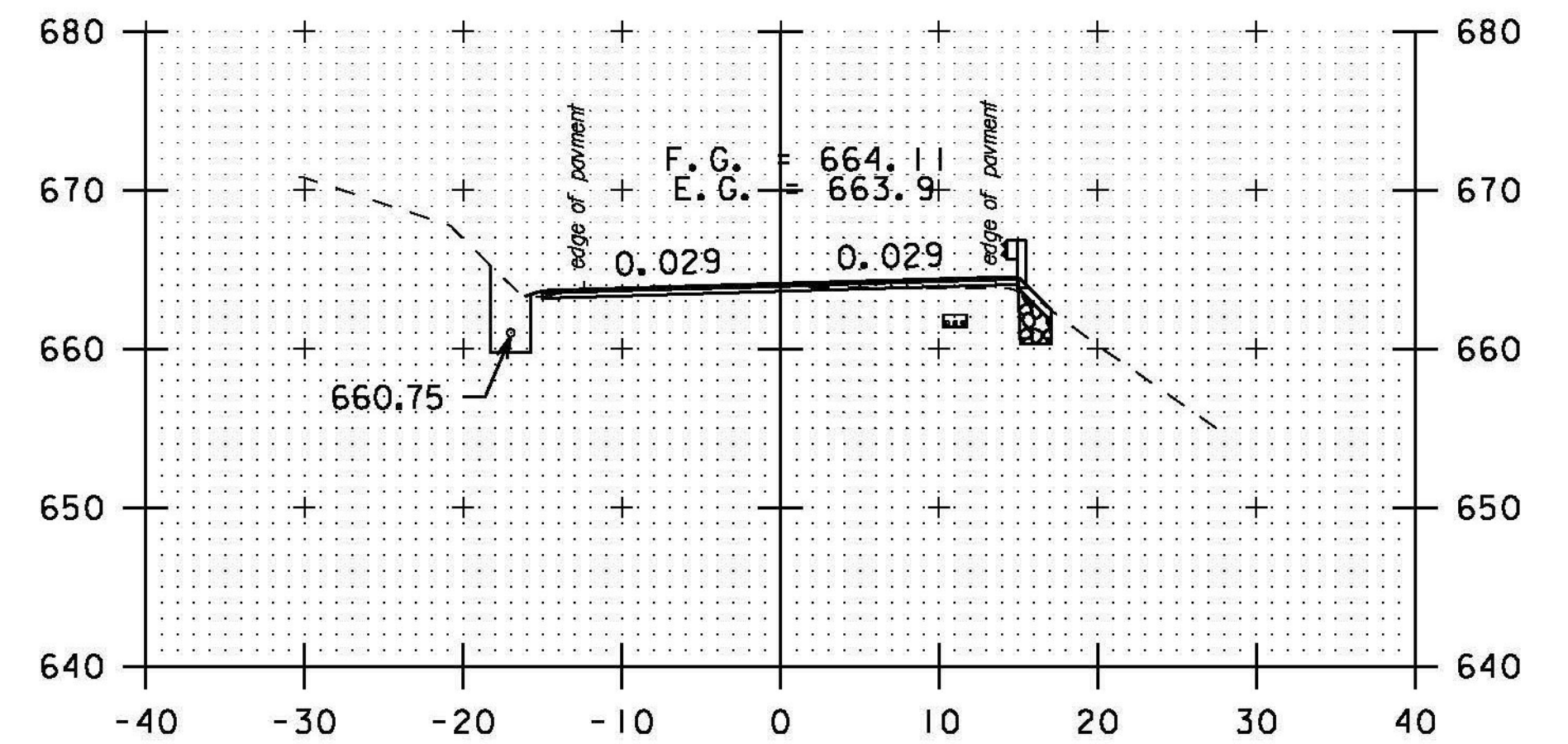
352+00



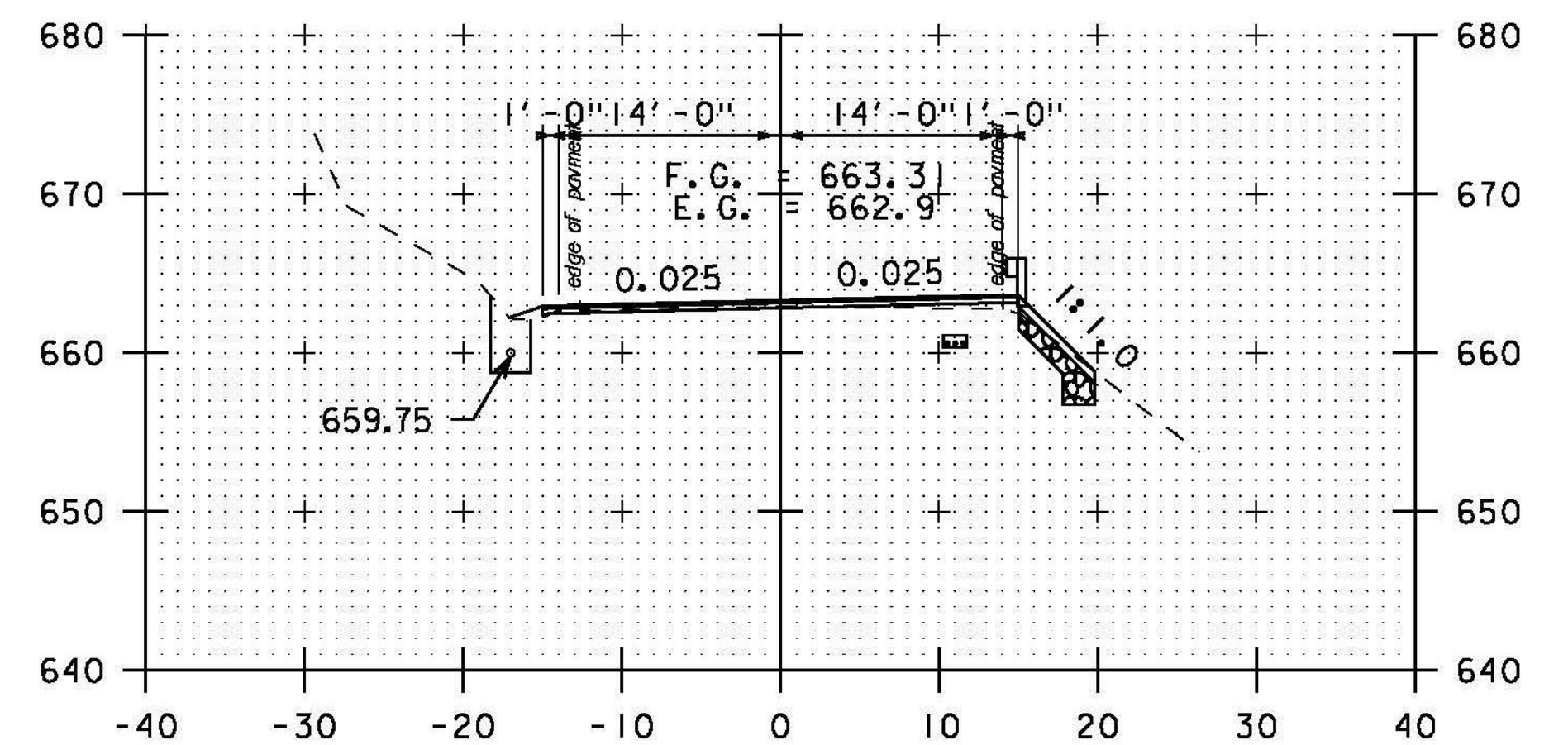
351+50



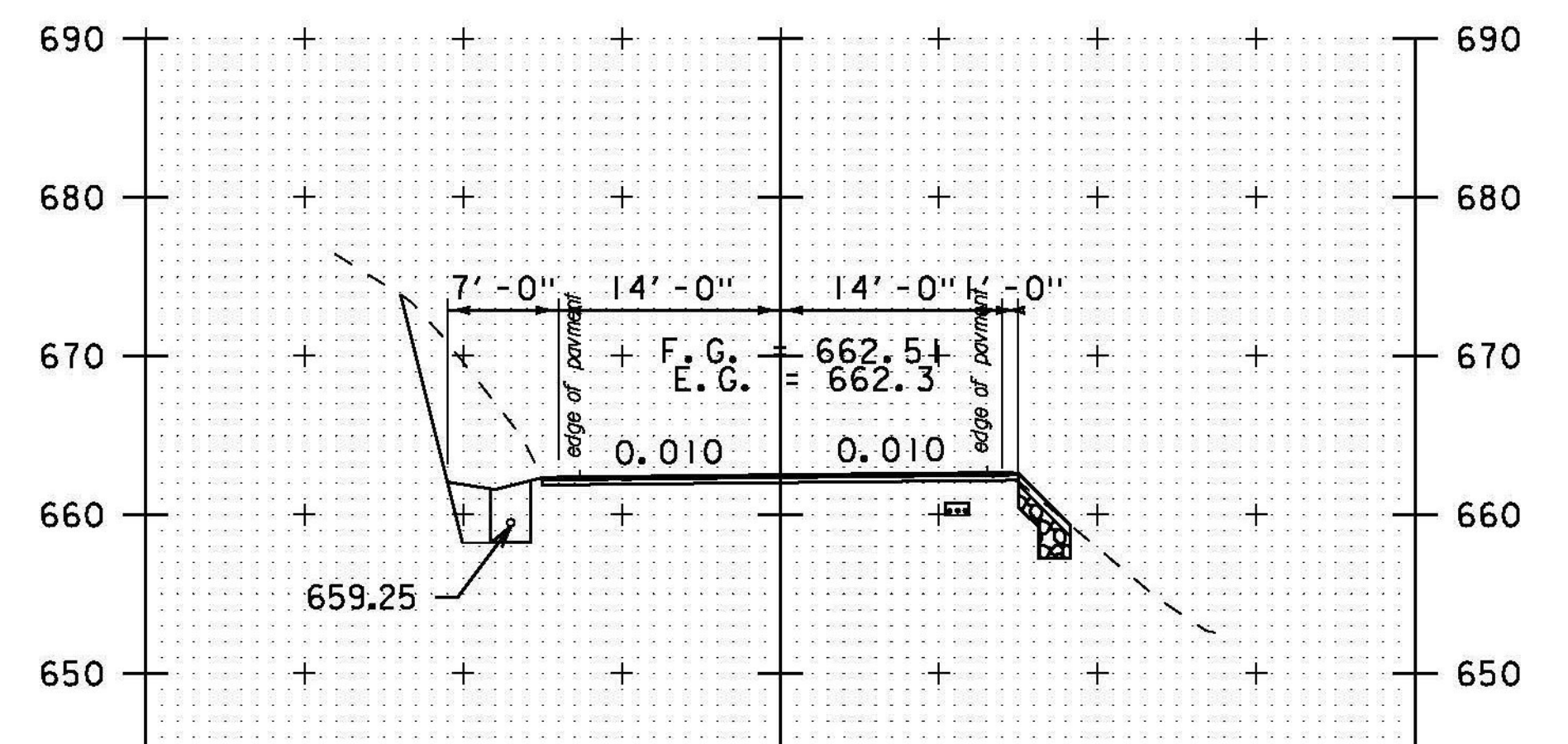
351+00



353+50



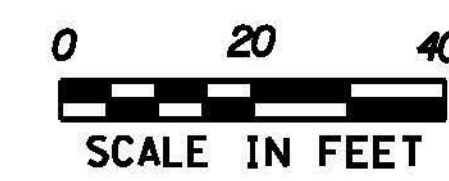
353+00



352+50

12" STONE FILL, TYPE I (TYP.)
6" GRUBBING MATERIAL (TYP.)
GEOTEXTILE UNDER STONE FILL (TYP.)

STA. 349+50 TO STA. 353+50



PROJECT NAME: BETHEL-RANDOLPH
PROJECT NUMBER: STP 292(I)

FILE NAME: piOC244.dgn
PROJECT LEADER: C. LATHROP
DESIGNED BY: S. LAMPHERE
CROSS SECTION SHEET 46

PLOT DATE: 4/23/2015
DRAWN BY: S. LAMPHERE
CHECKED BY: C. LATHROP
SHEET 180 OF 211