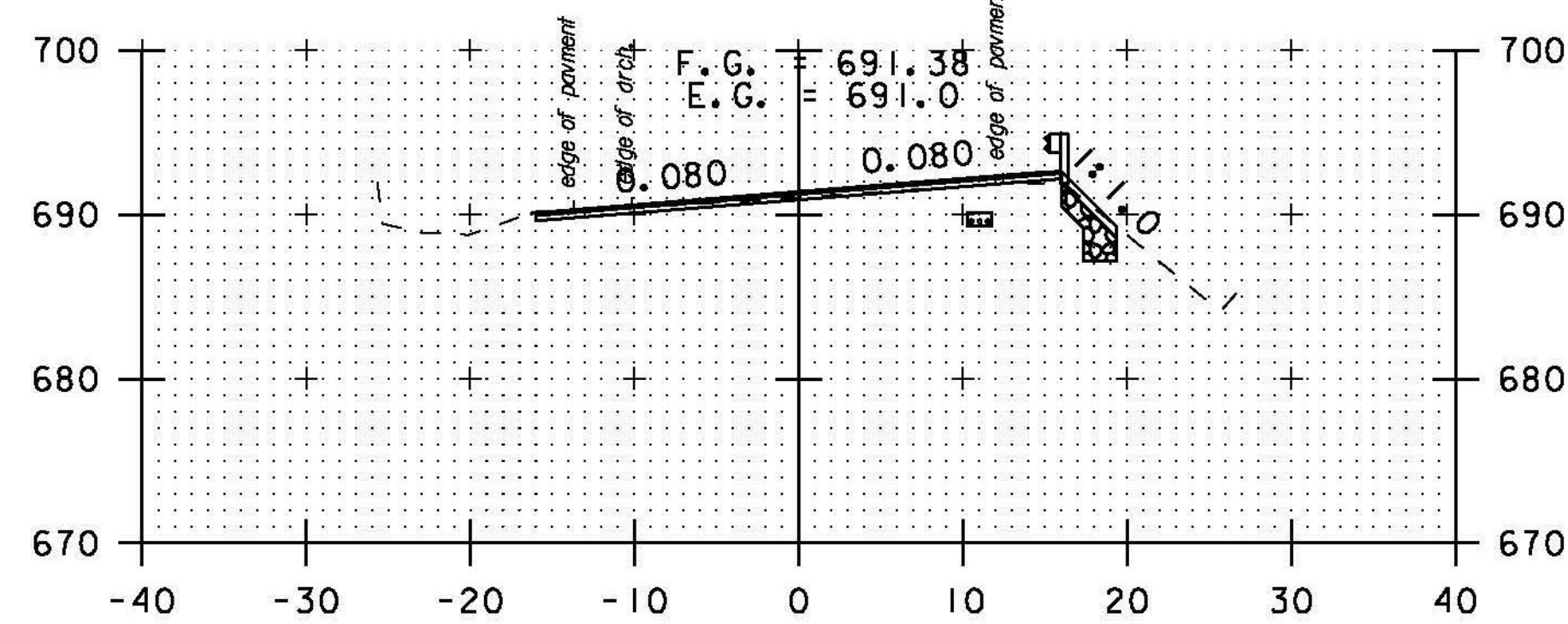
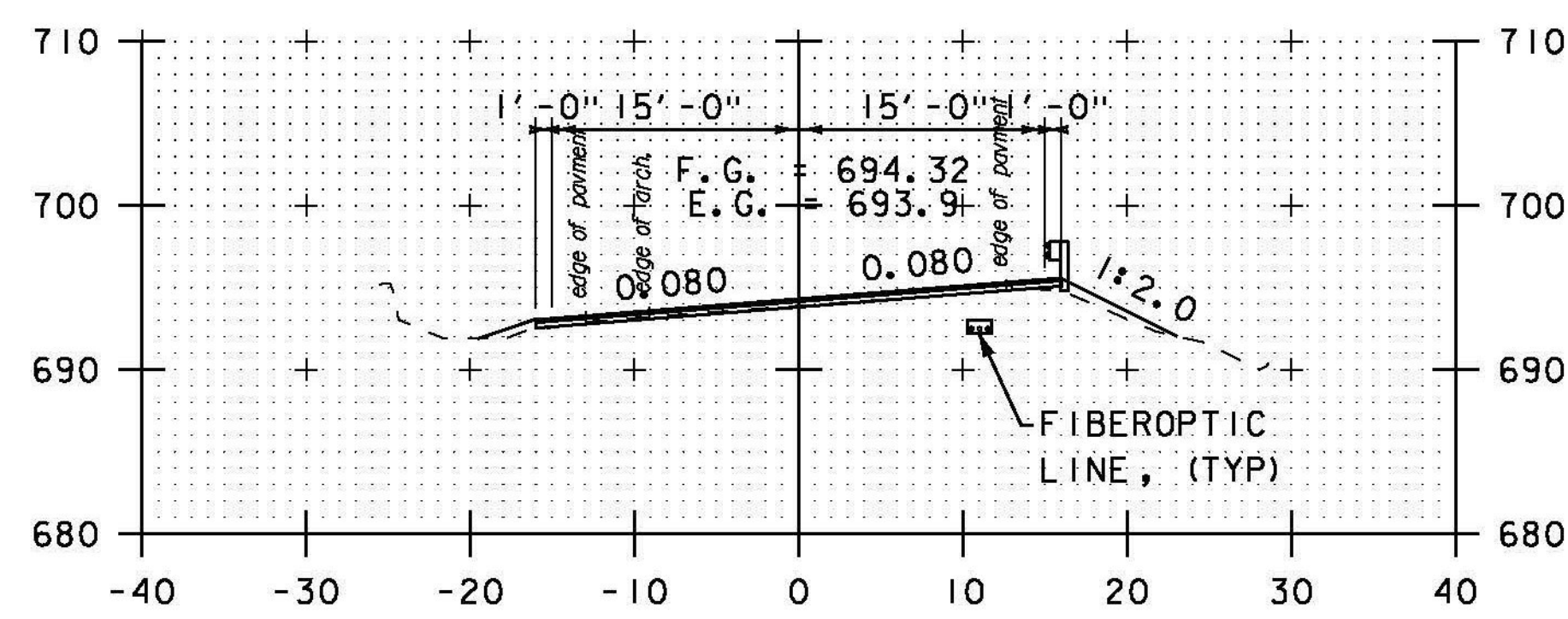


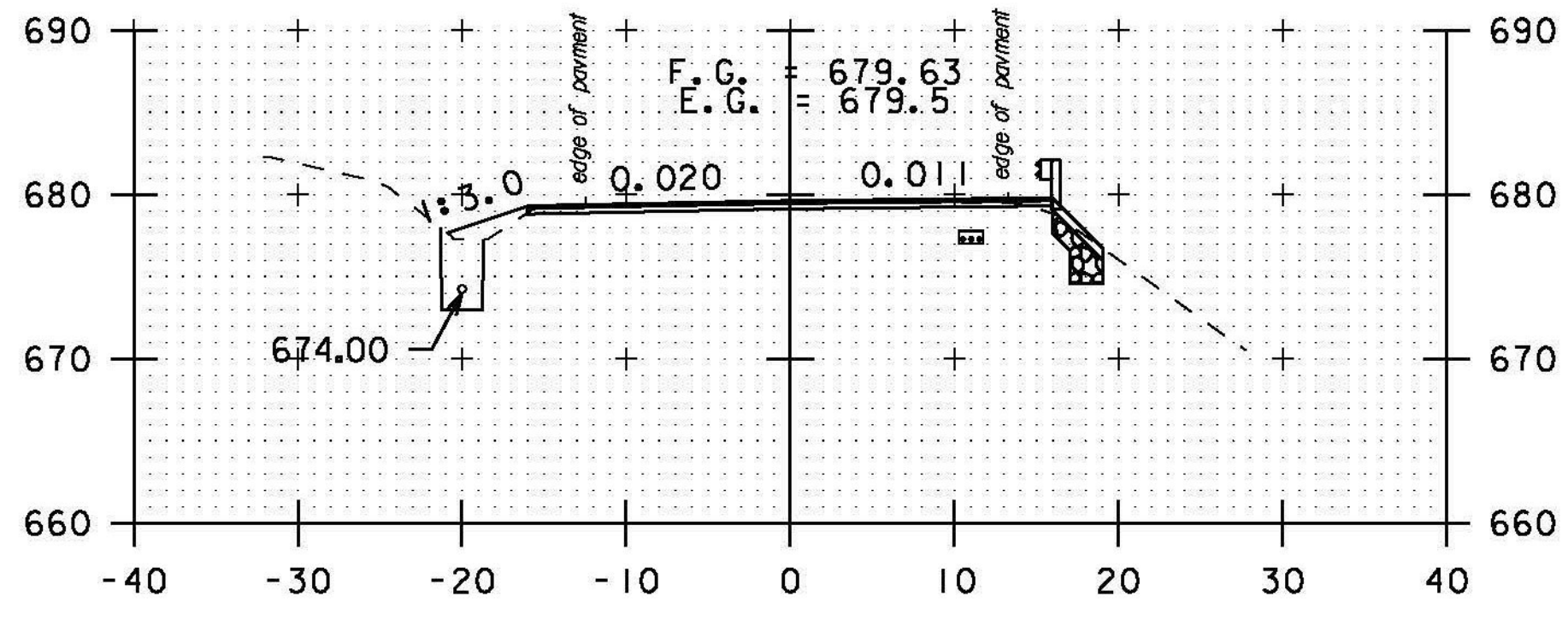
341+50



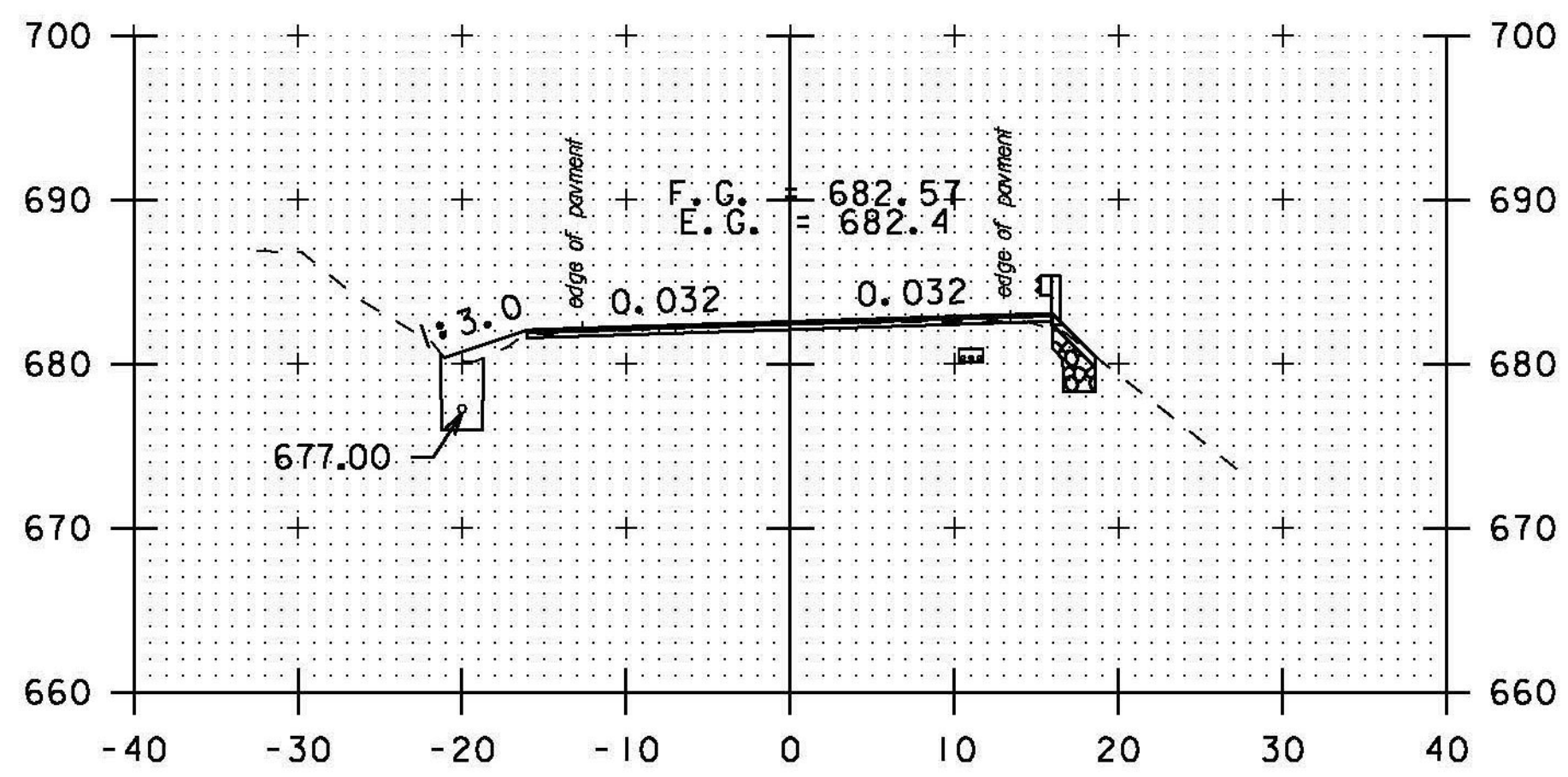
341+00



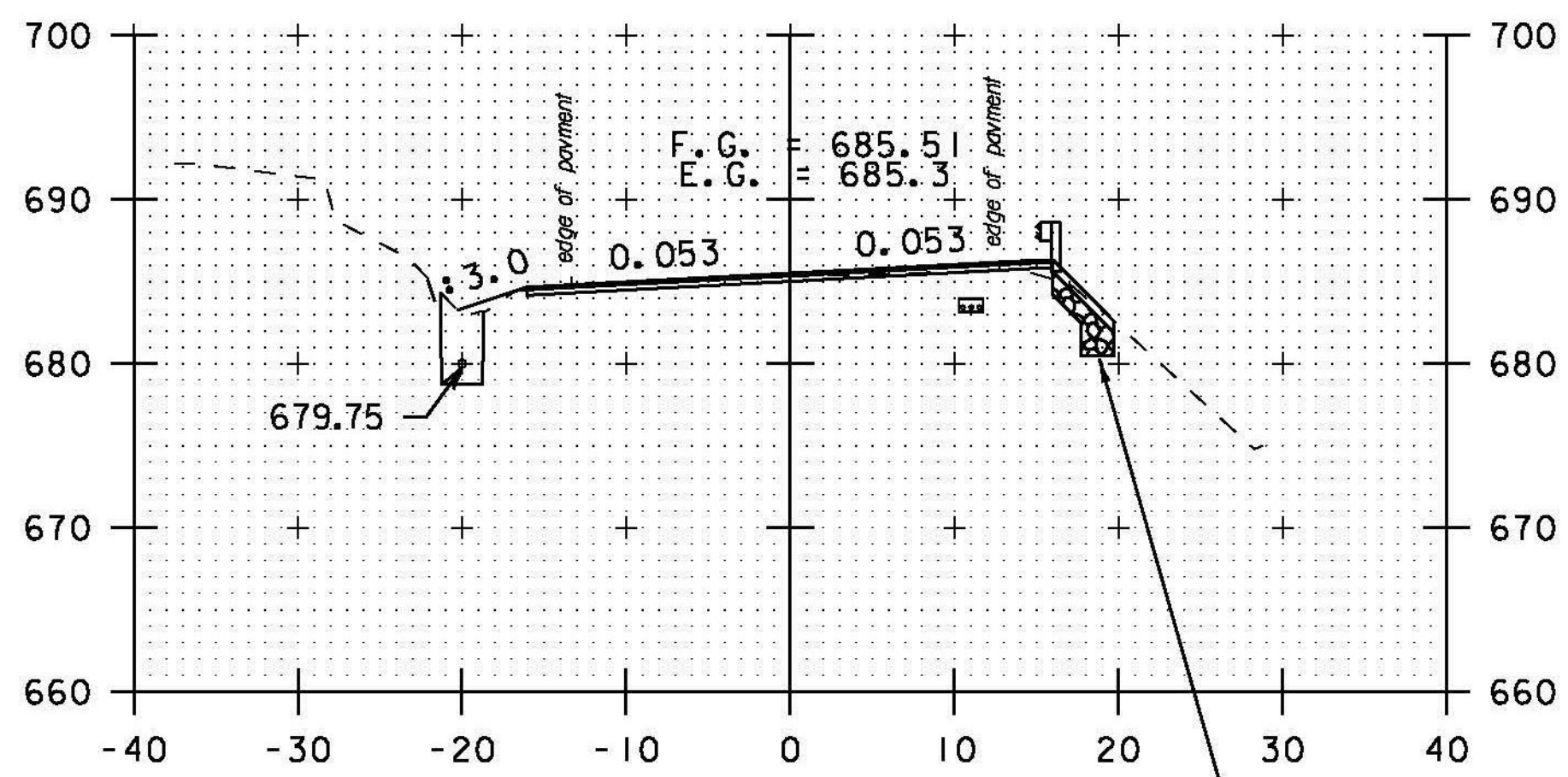
340+50



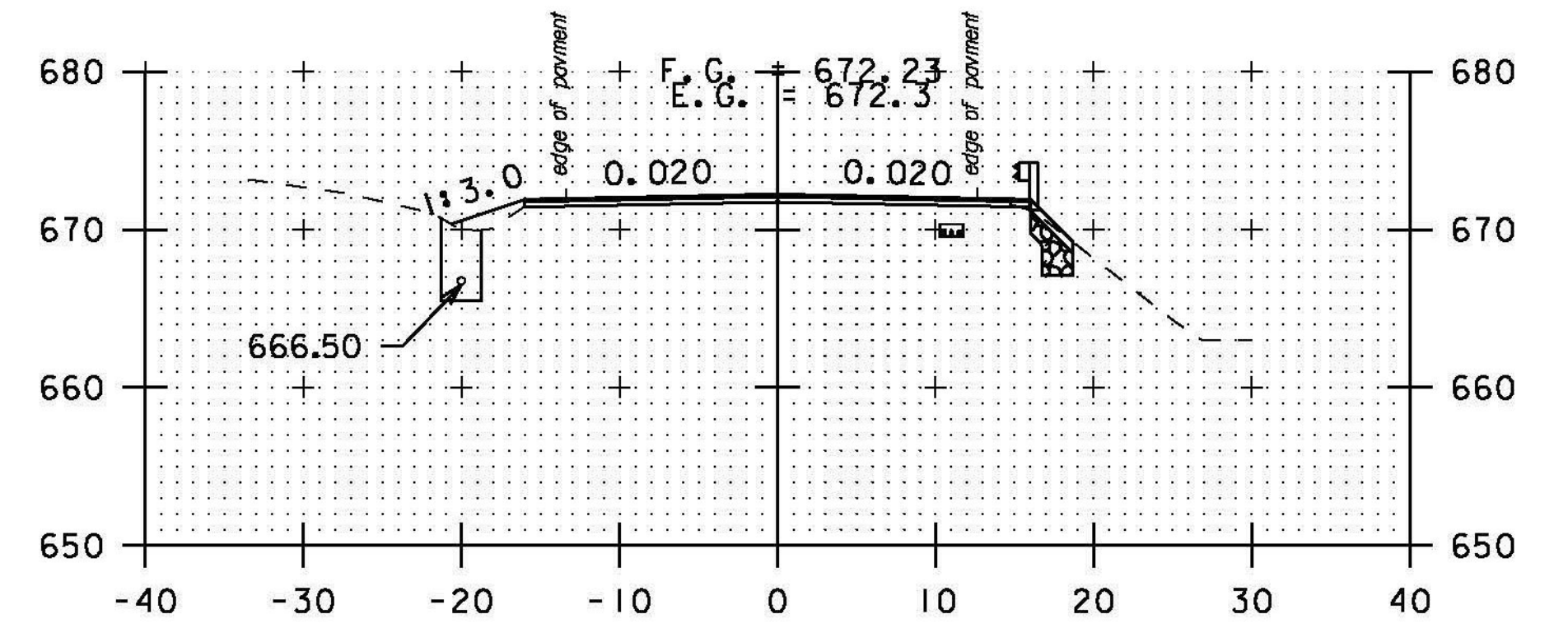
343+00



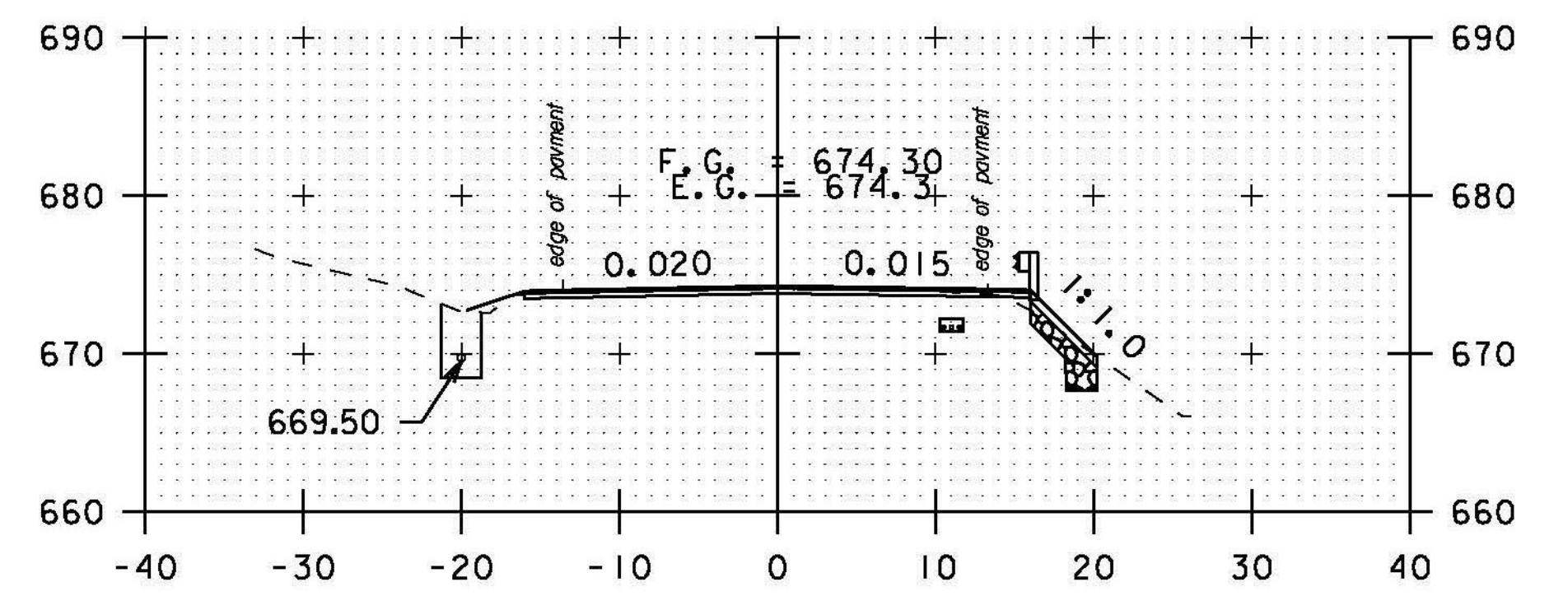
342+50



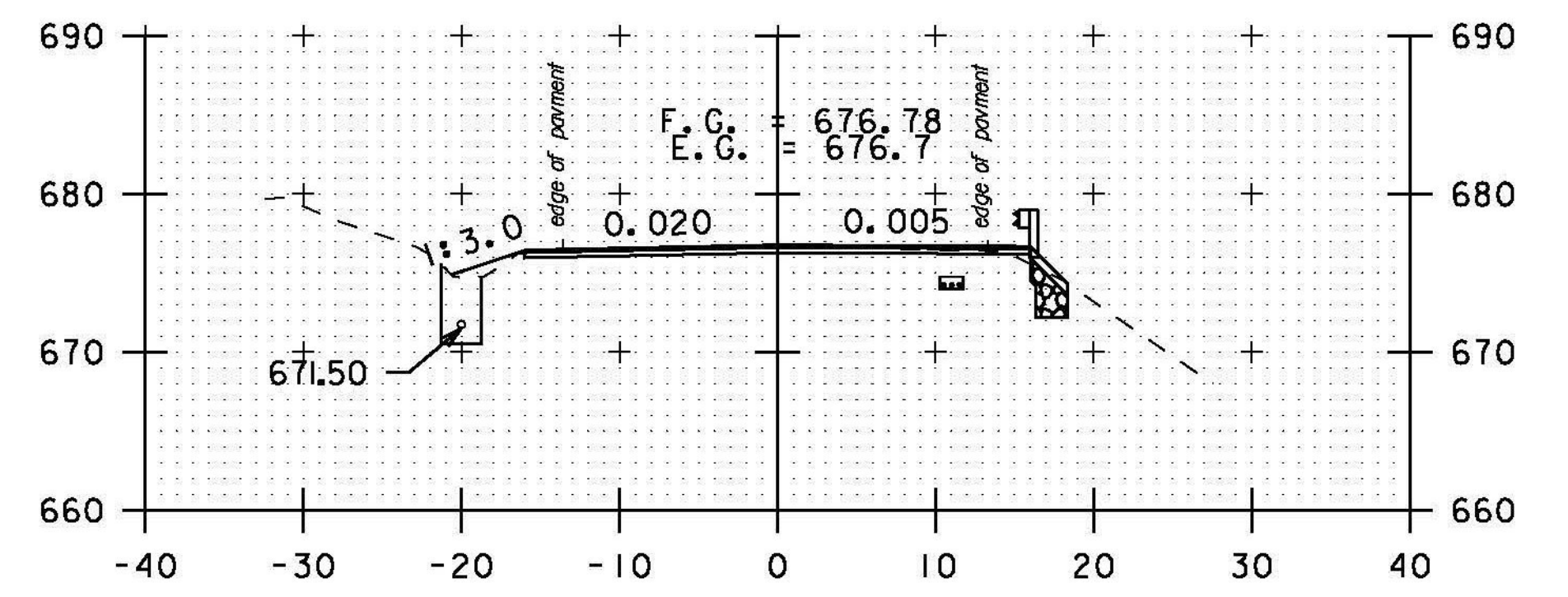
342+00



344+50



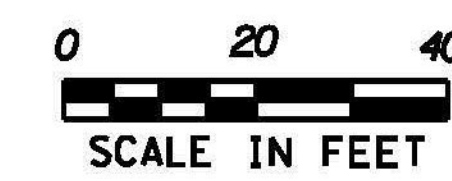
344+00



343+50

12" STONE FILL, TYPE I (TYP.)
6" GRUBBING MATERIAL (TYP.)
GEOTEXTILE UNDER STONE FILL (TYP.)

STA. 340+50 TO STA. 344+50



SCALE IN FEET

PROJECT NAME: BETHEL-RANDOLPH	
PROJECT NUMBER: STP 292(I)	
FILE NAME: piOC244.dgn	PLOT DATE: 4/23/2015
PROJECT LEADER: C. LATHROP	DRAWN BY: S. LAMPHERE
DESIGNED BY: S. LAMPHERE	CHECKED BY: C. LATHROP
CROSS SECTION SHEET 44	SHEET 178 OF 211