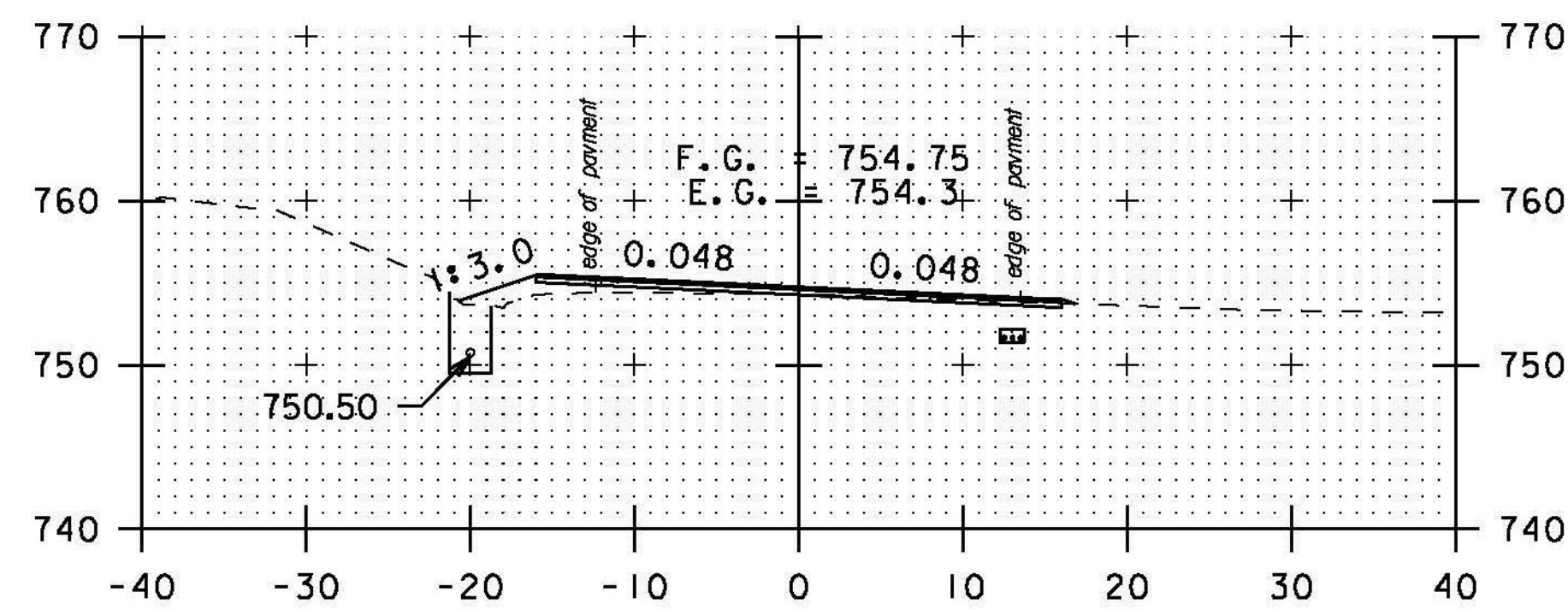
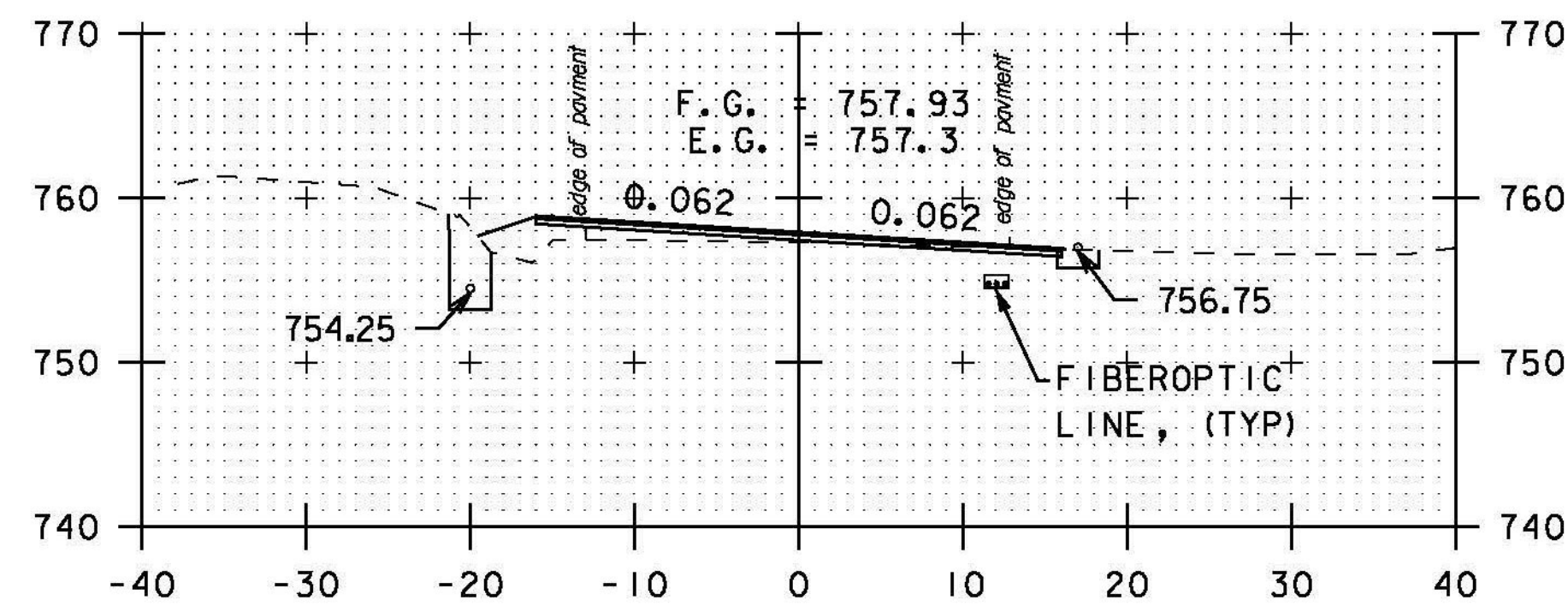


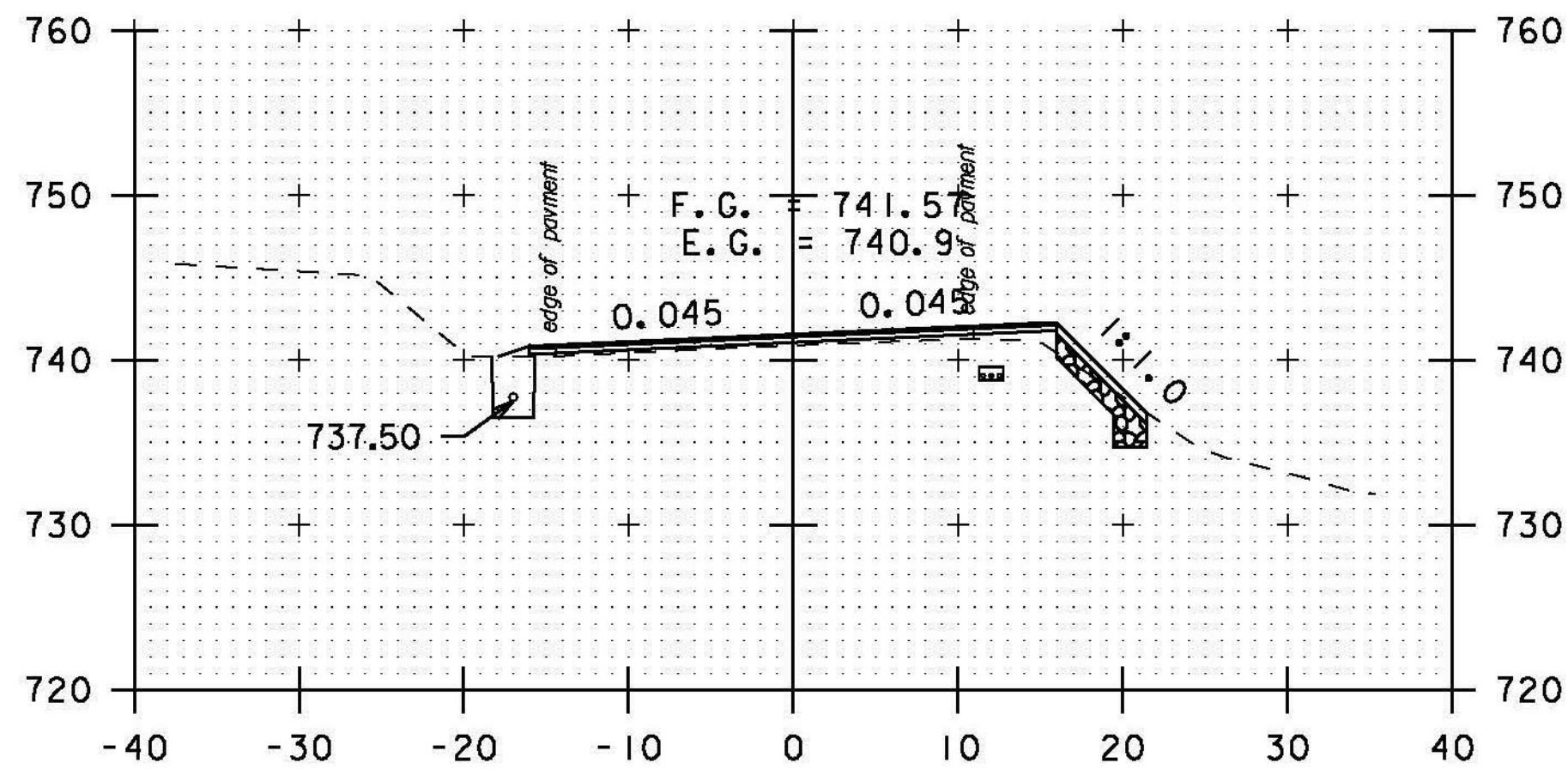
299+50



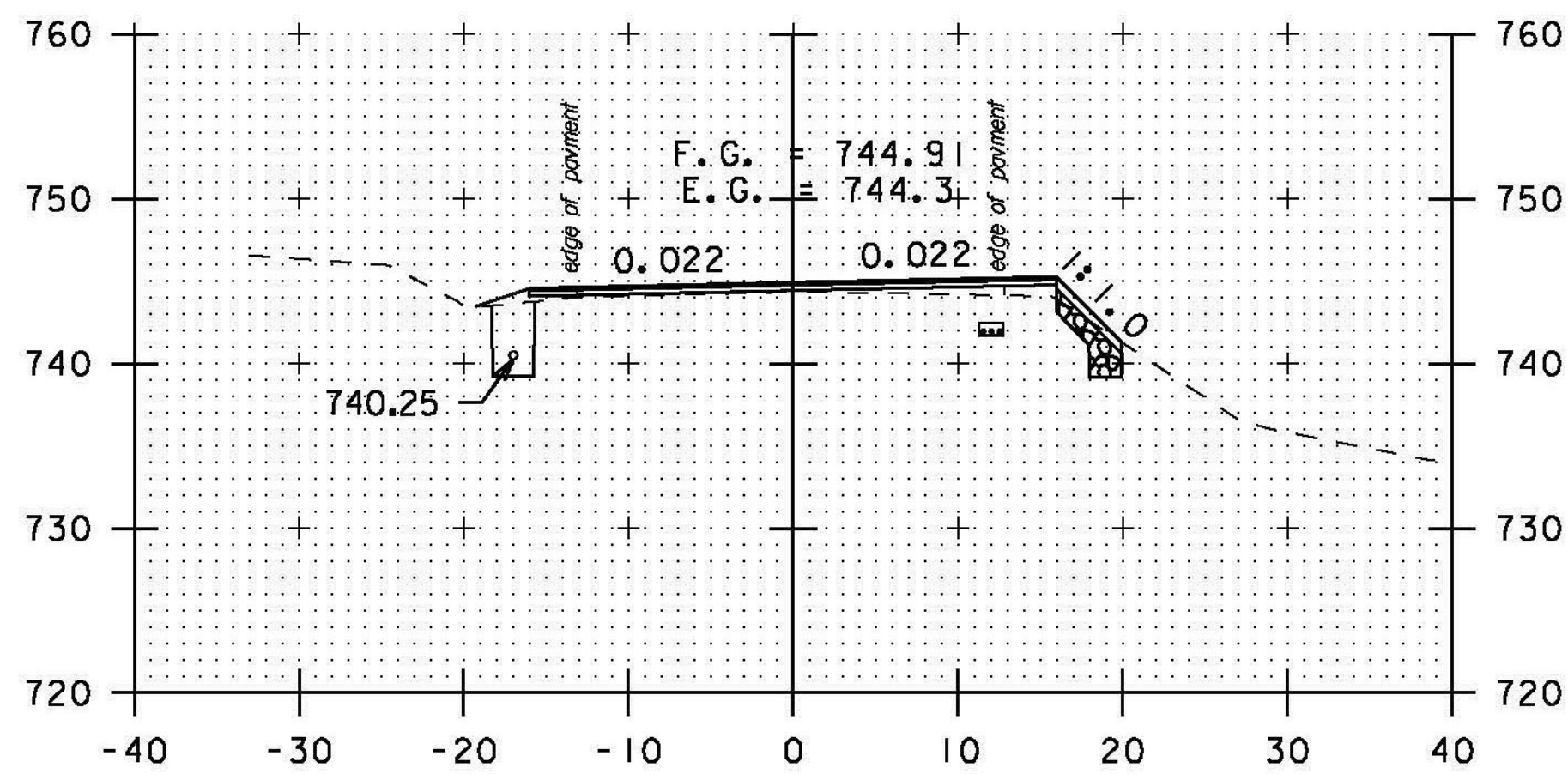
DRIVE RT
299+00



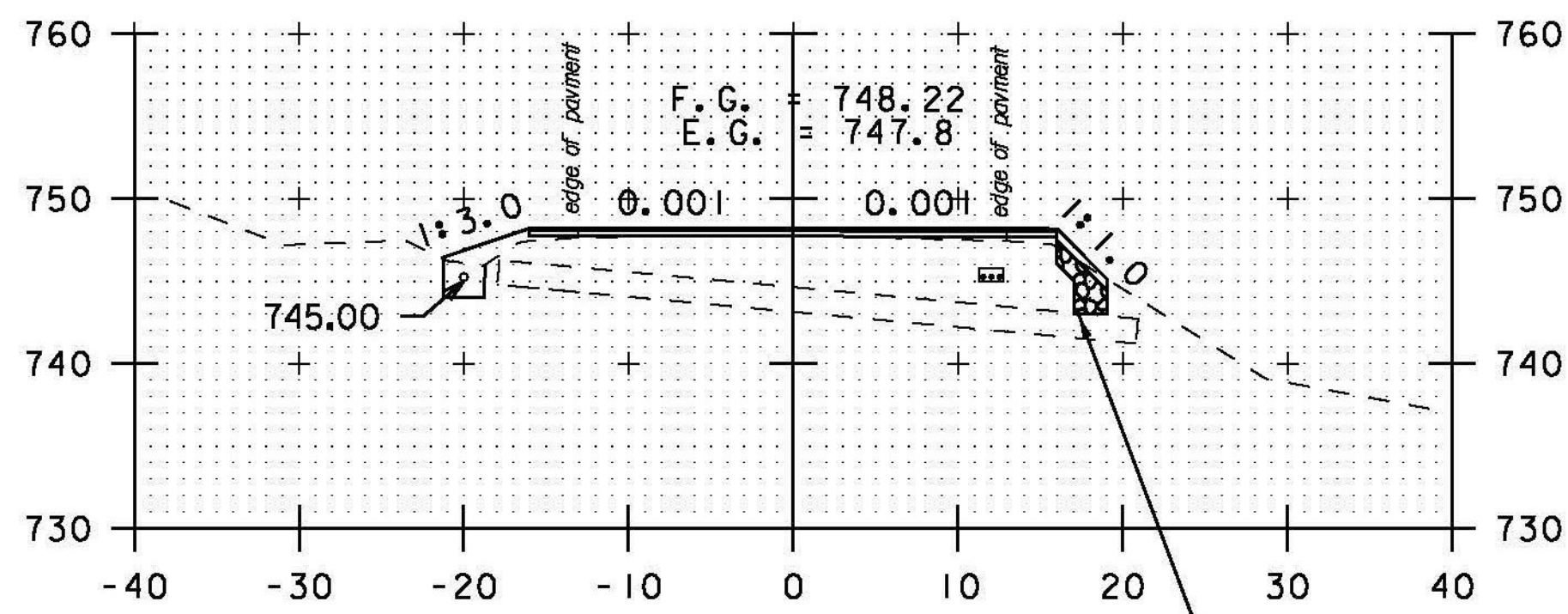
298+50



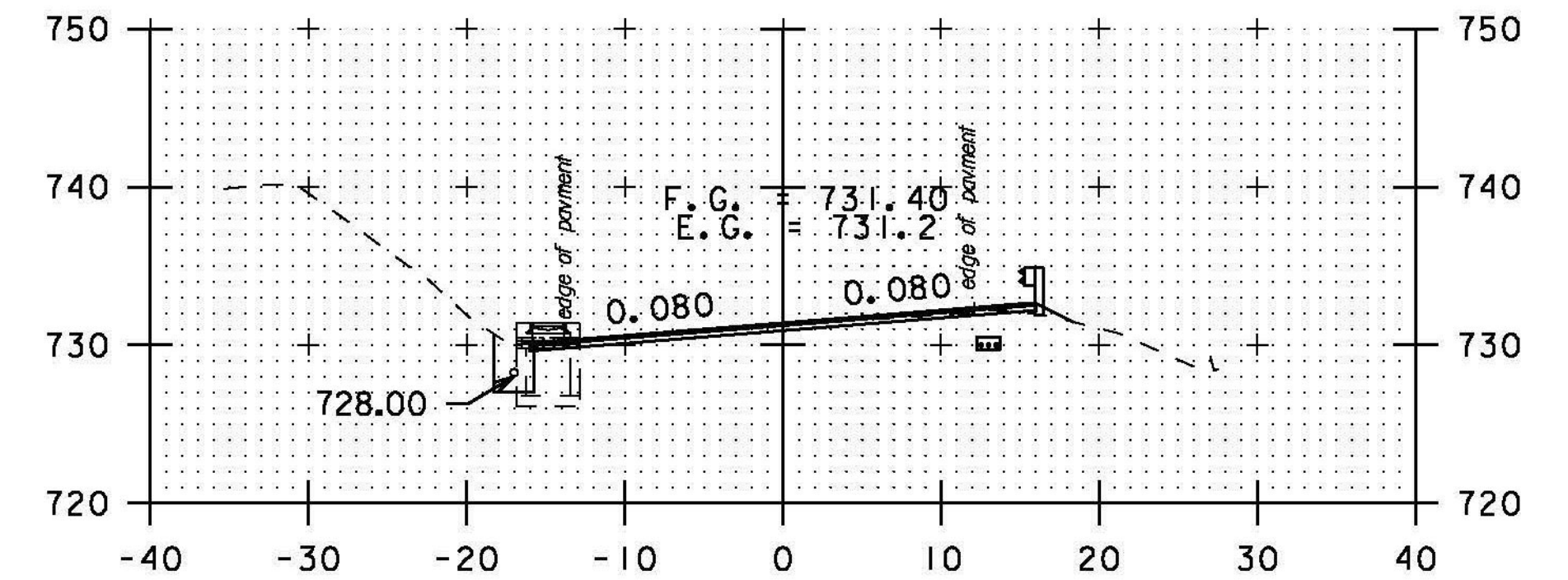
301+00



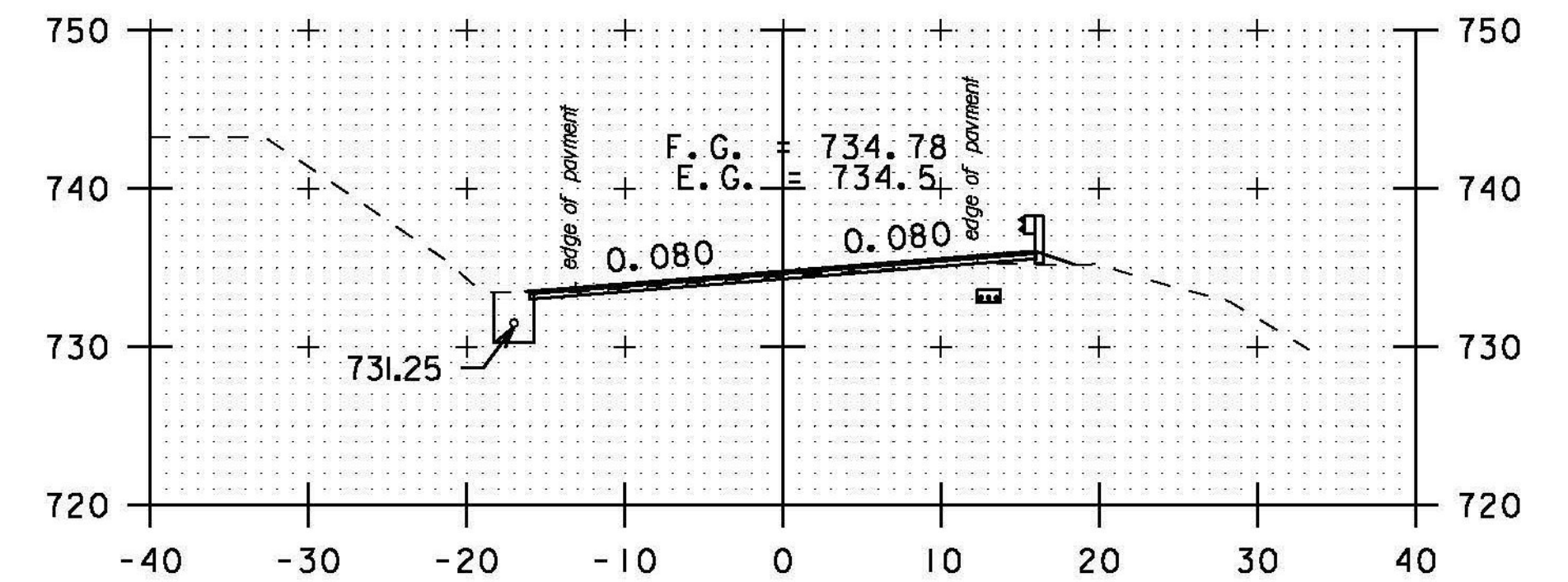
300+50



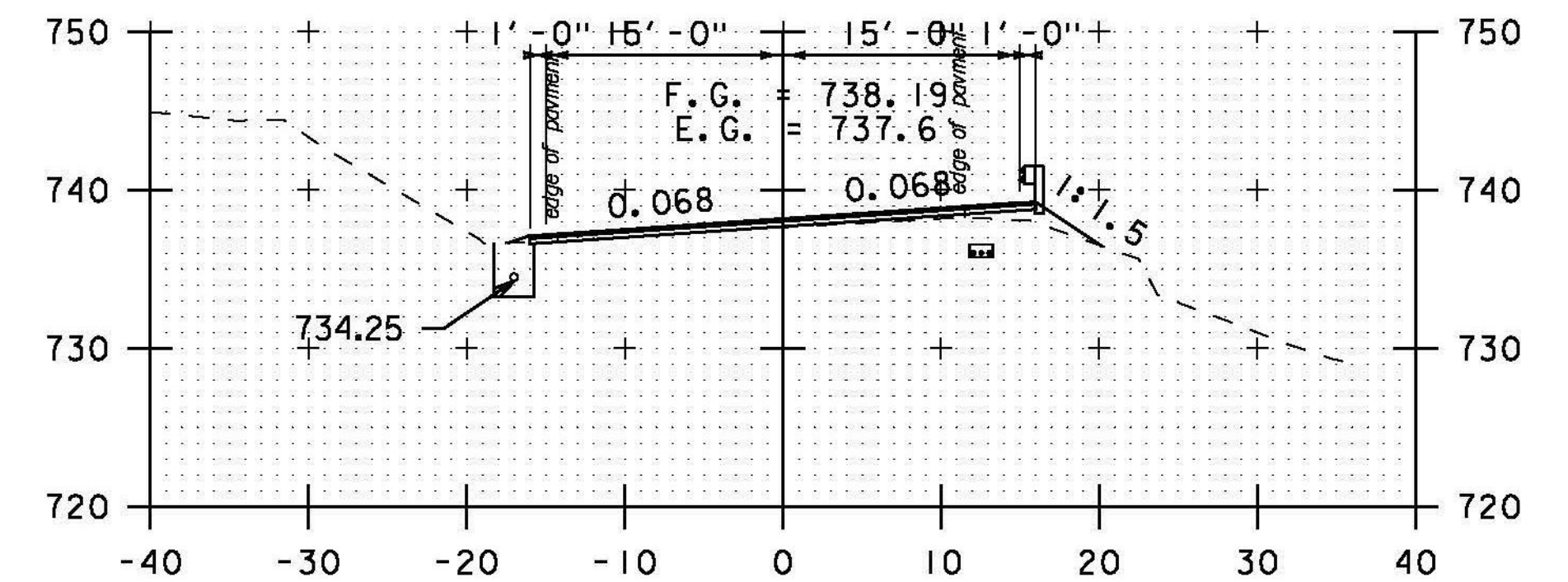
300+00



302+50



302+00



301+50

12" STONE FILL, TYPE I (TYP.)
6" GRUBBING MATERIAL (TYP.)
GEOTEXTILE UNDER STONE FILL (TYP.)



STA. 298+50 TO STA. 302+50

PROJECT NAME: BETHEL-RANDOLPH
PROJECT NUMBER: STP 2921(I)

FILE NAME: piOC244.dgn
PROJECT LEADER: C. LATHROP
DESIGNED BY: S. LAMPHERE
CROSS SECTION SHEET 35

PLOT DATE: 4/23/2015
DRAWN BY: S. LAMPHERE
CHECKED BY: C. LATHROP
SHEET 169 OF 211