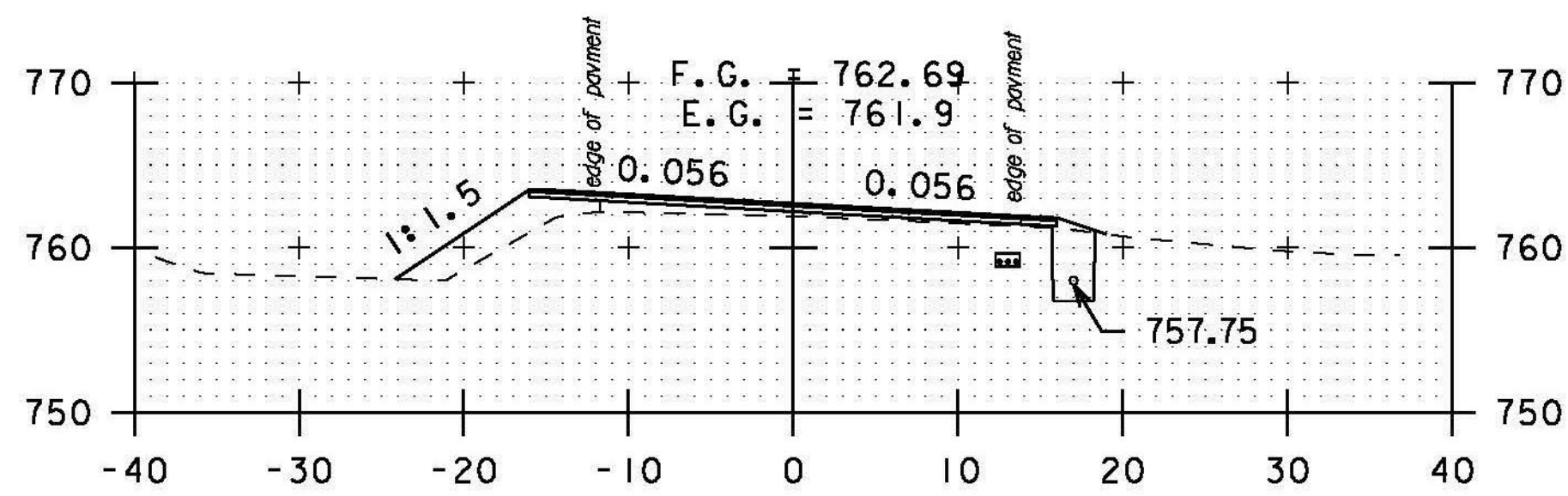
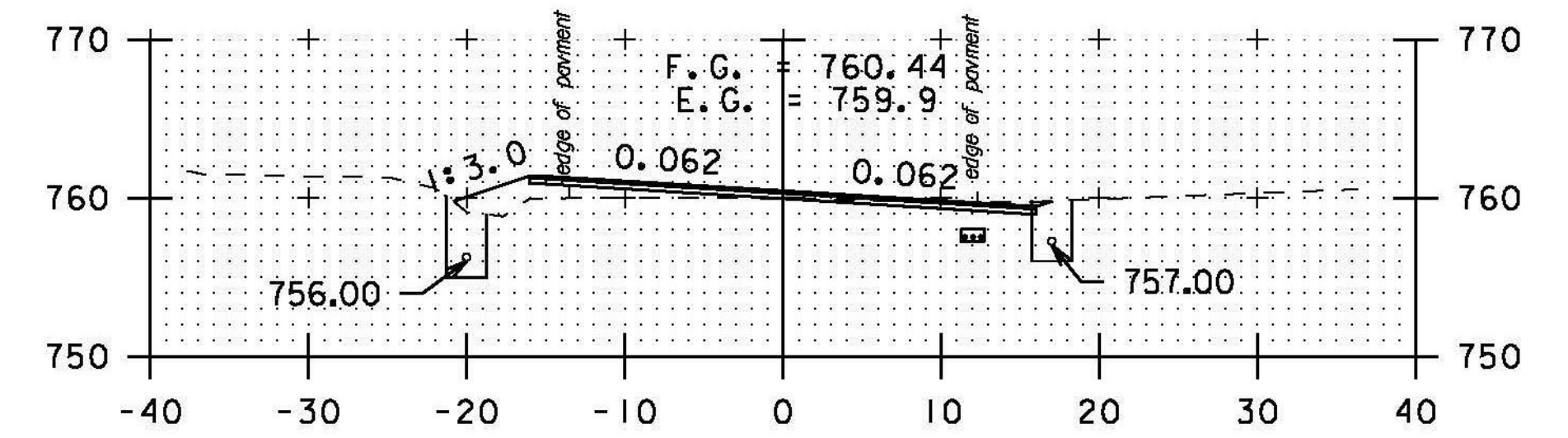


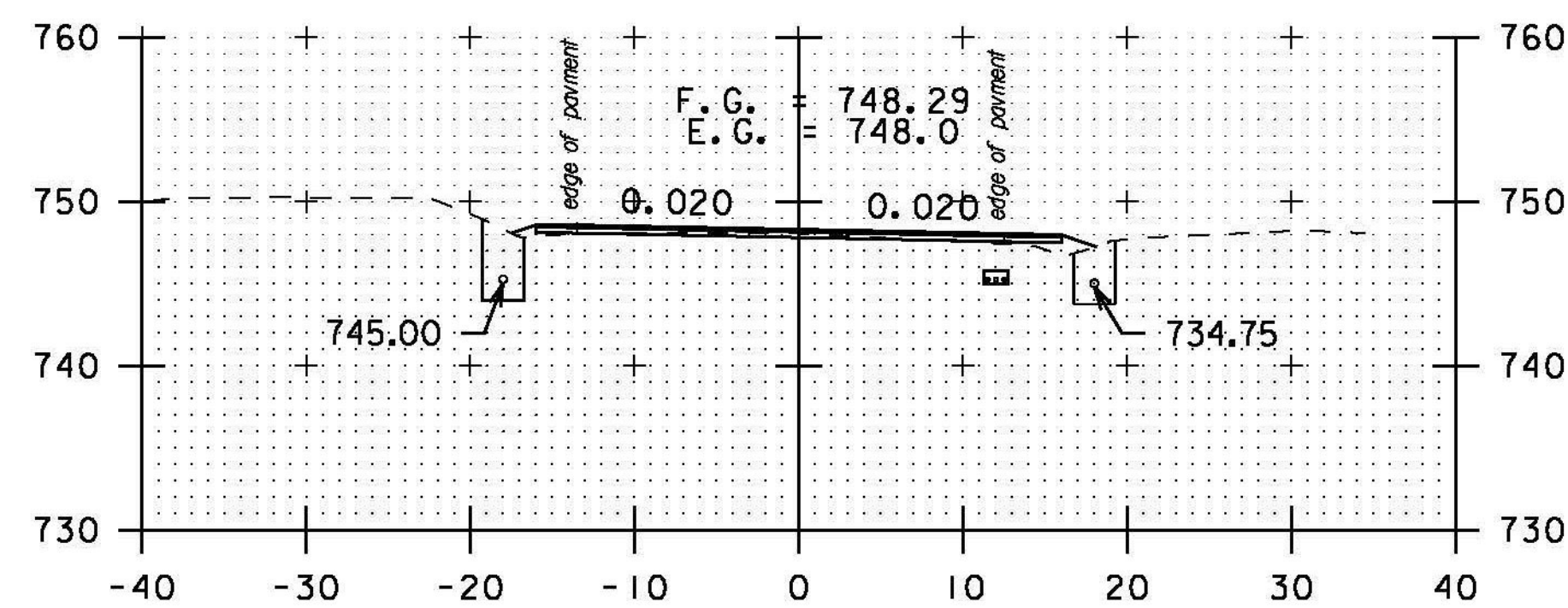
DRIVE RT
294+00



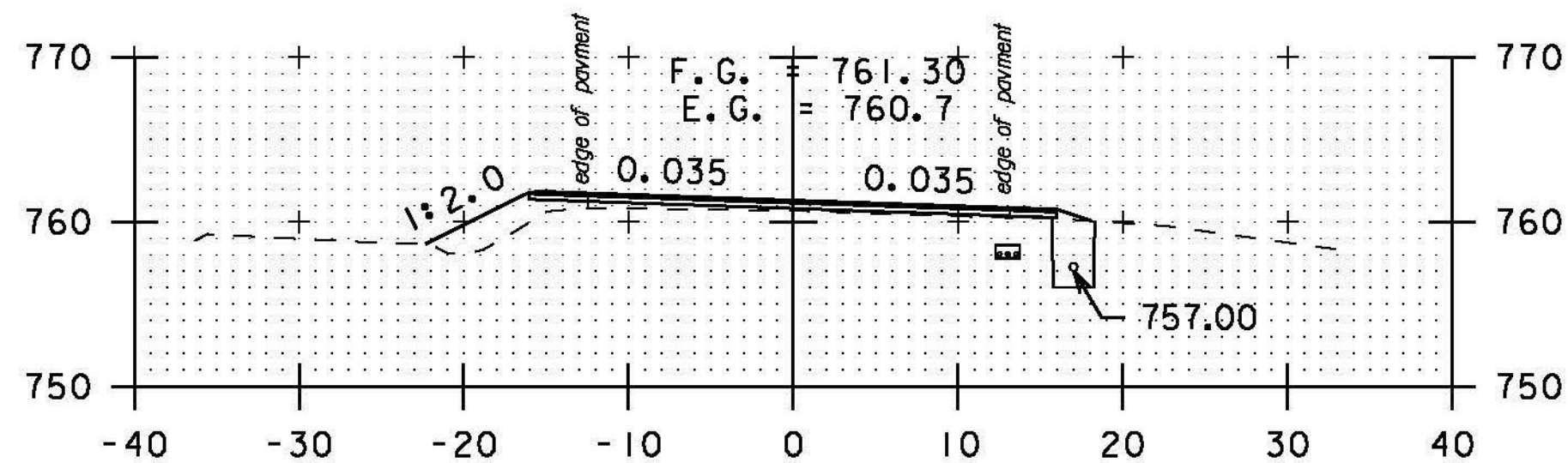
296+00



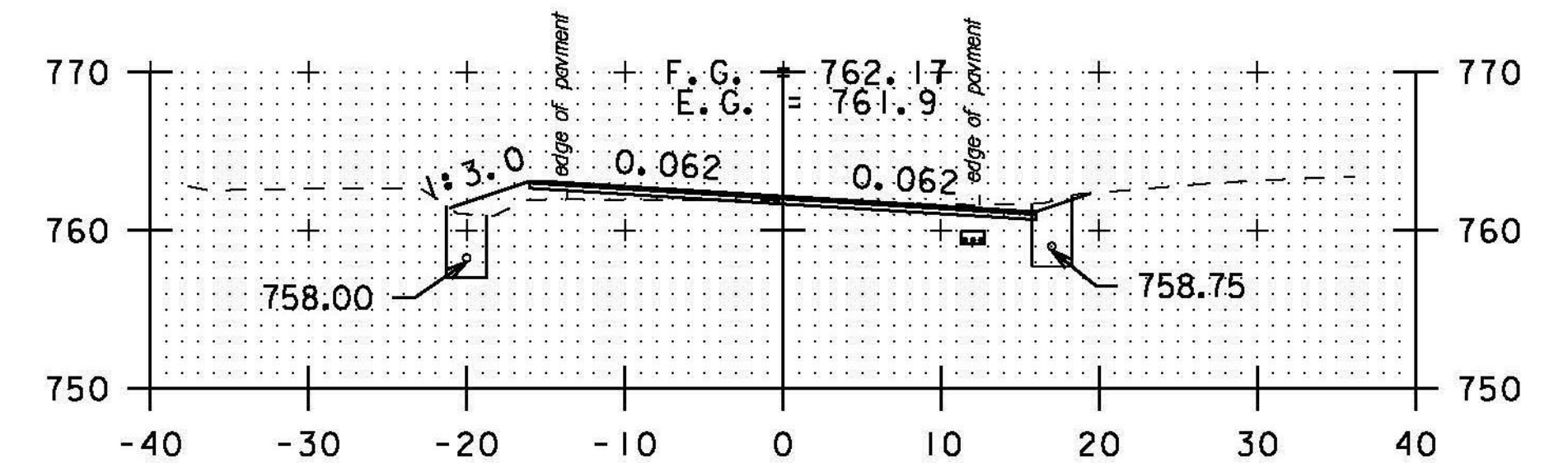
298+00



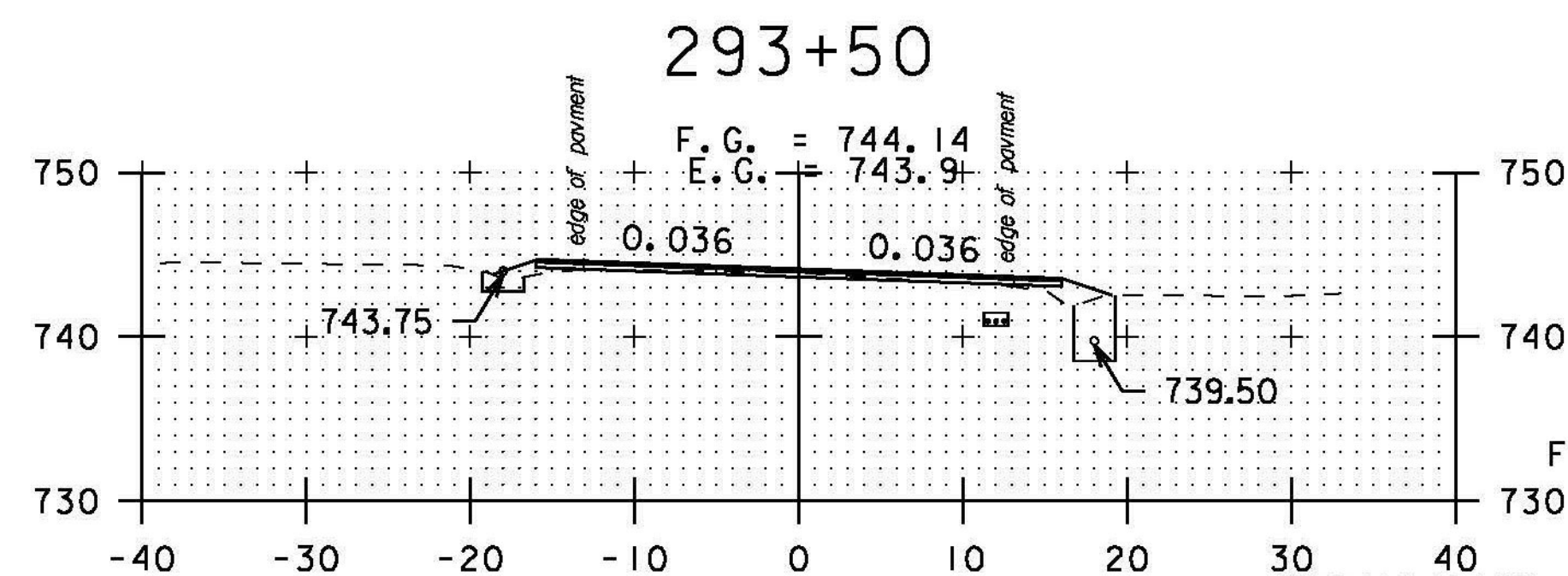
293+50



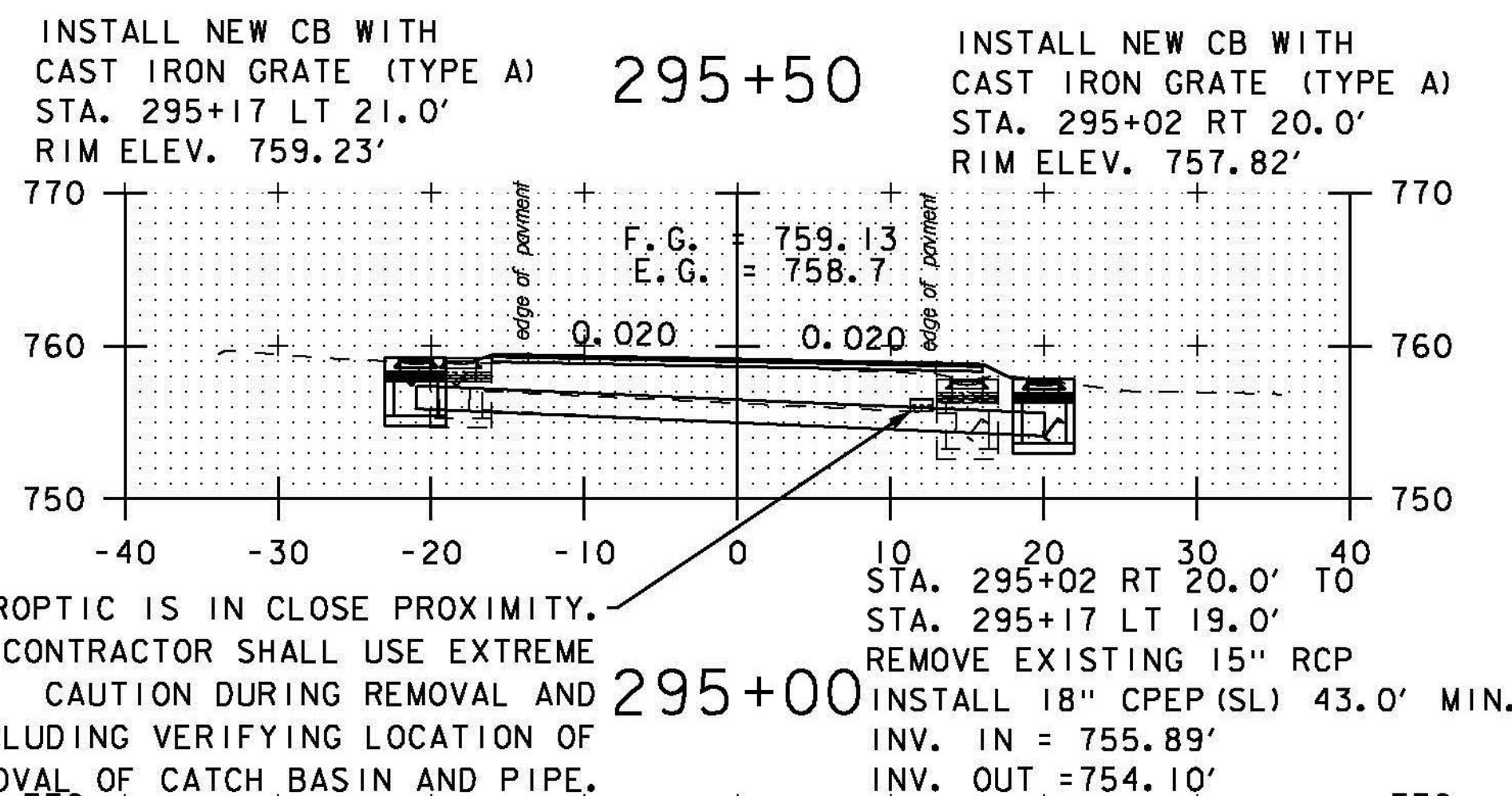
295+50



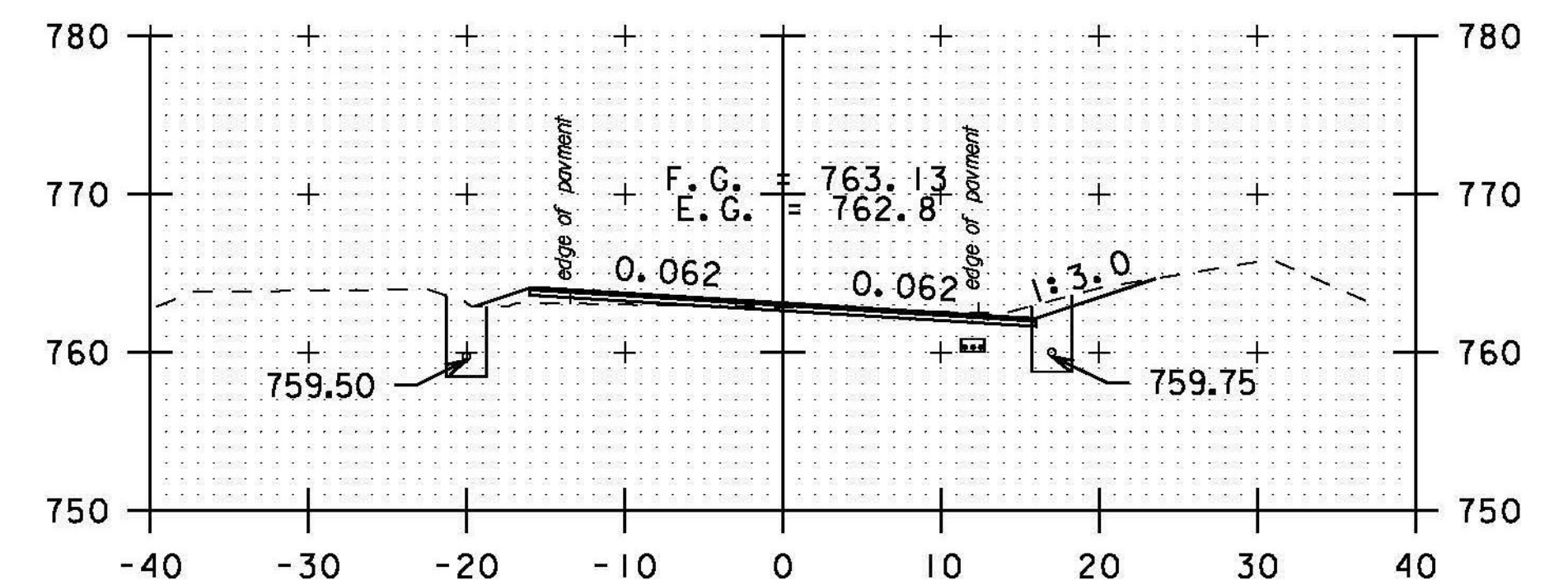
297+50



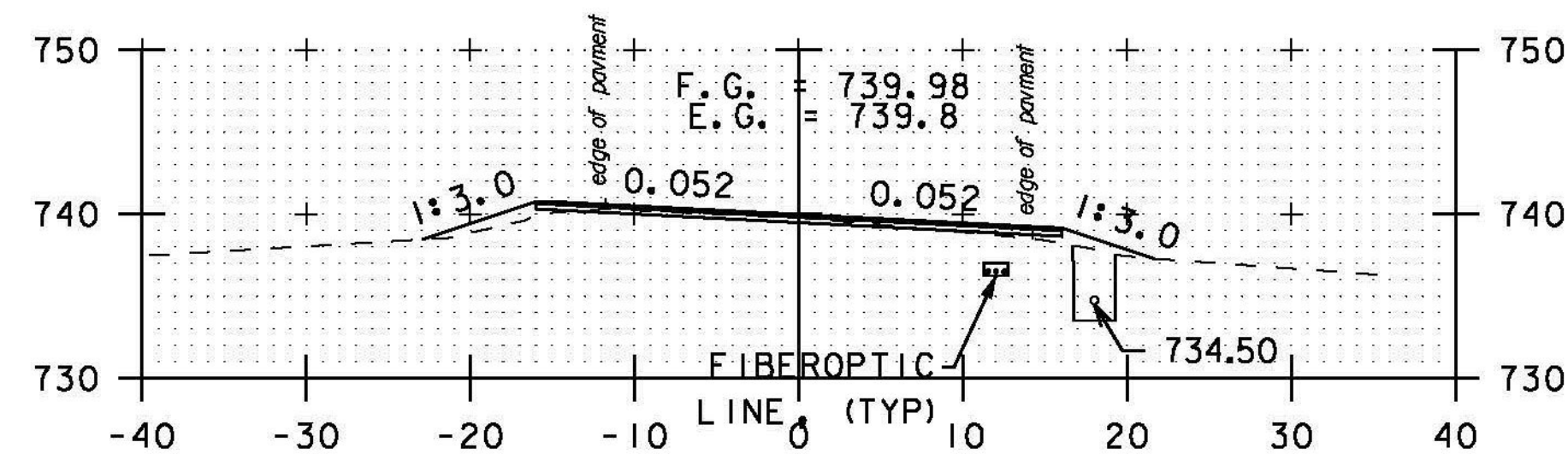
293+00



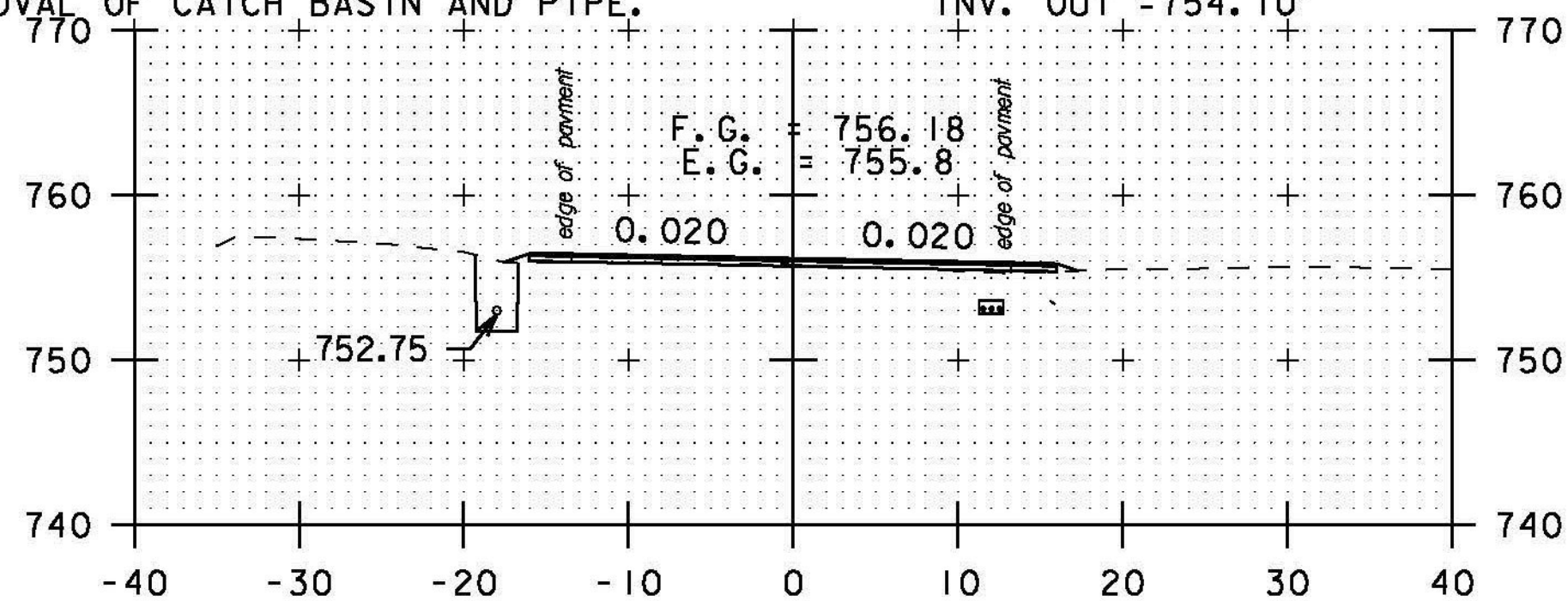
295+00



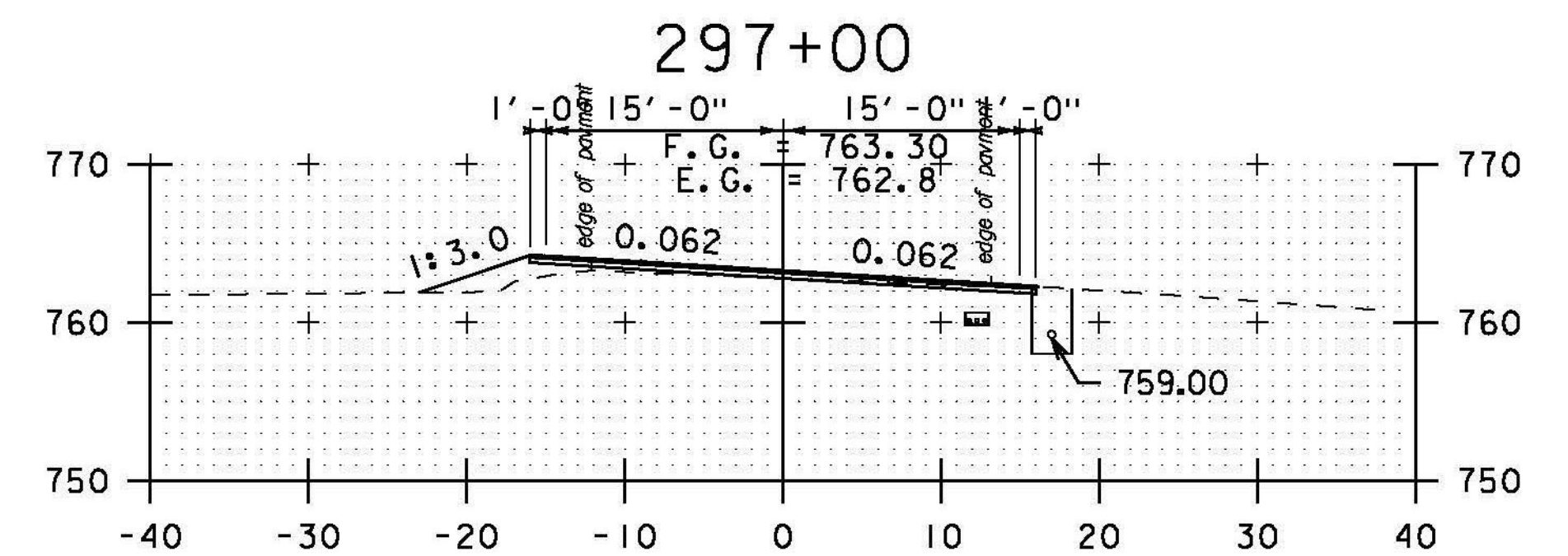
297+00



292+50



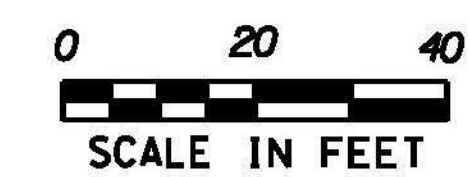
294+50



296+50

DRIVE LT

STA. 292+50 TO STA. 298+00



PROJECT NAME:	BETHEL-RANDOLPH	FILE NAME:	piOC244.dgn	PLOT DATE:	4/23/2015
PROJECT NUMBER:	STP 292(I)	PROJECT LEADER:	C. LATHROP	DRAWN BY:	S. LAMPHERE
		DESIGNED BY:	S. LAMPHERE	CHECKED BY:	C. LATHROP
		CROSS SECTION SHEET	34	SHEET	168 OF 211