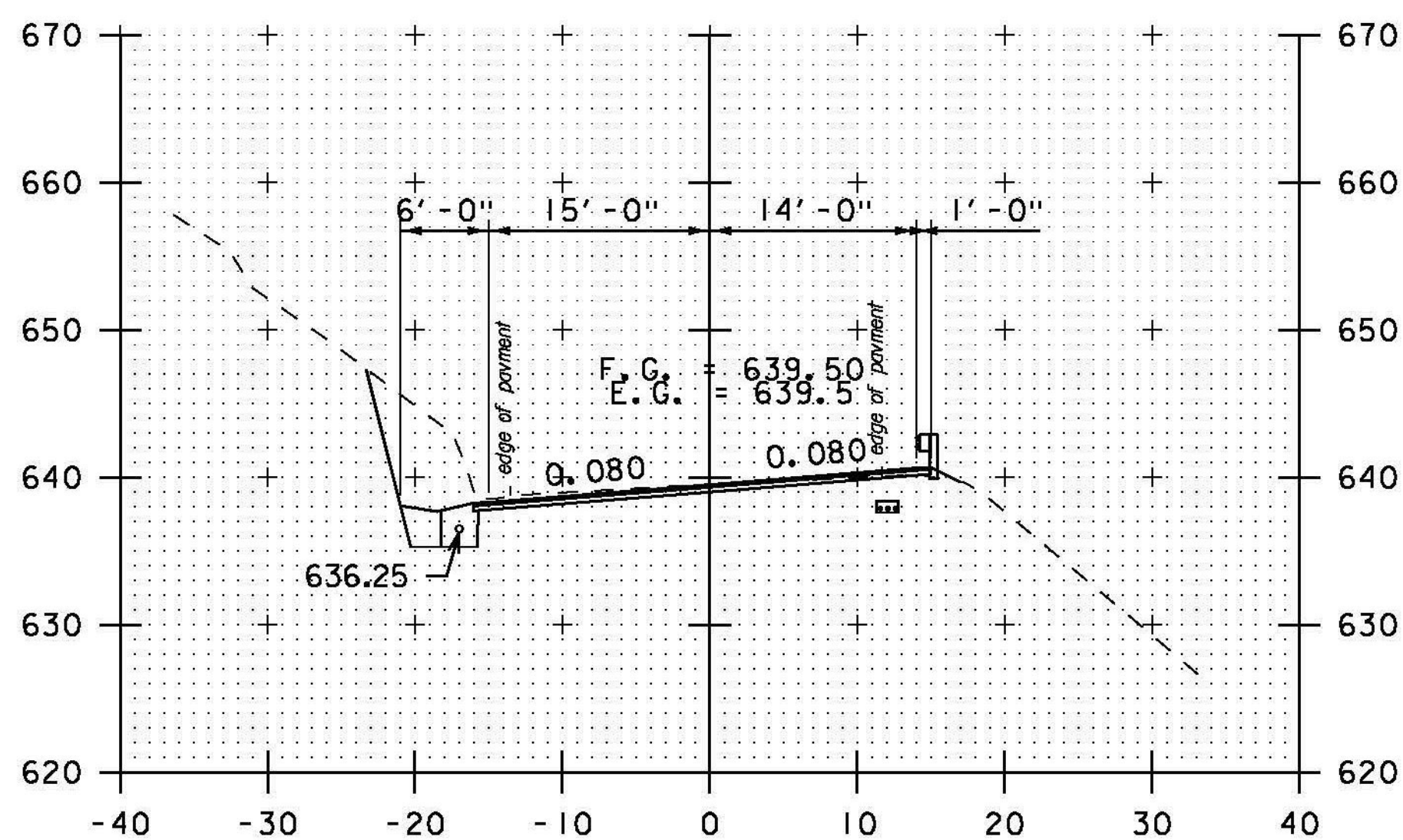
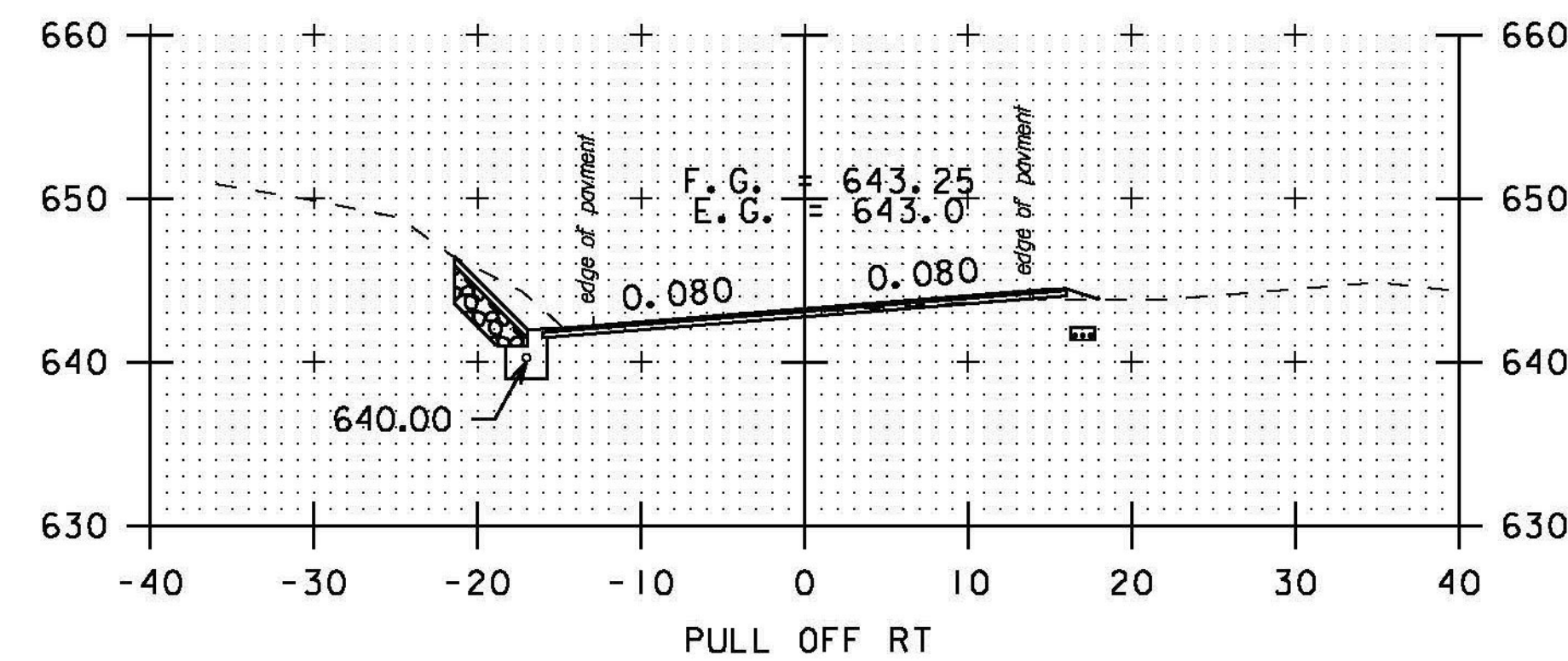


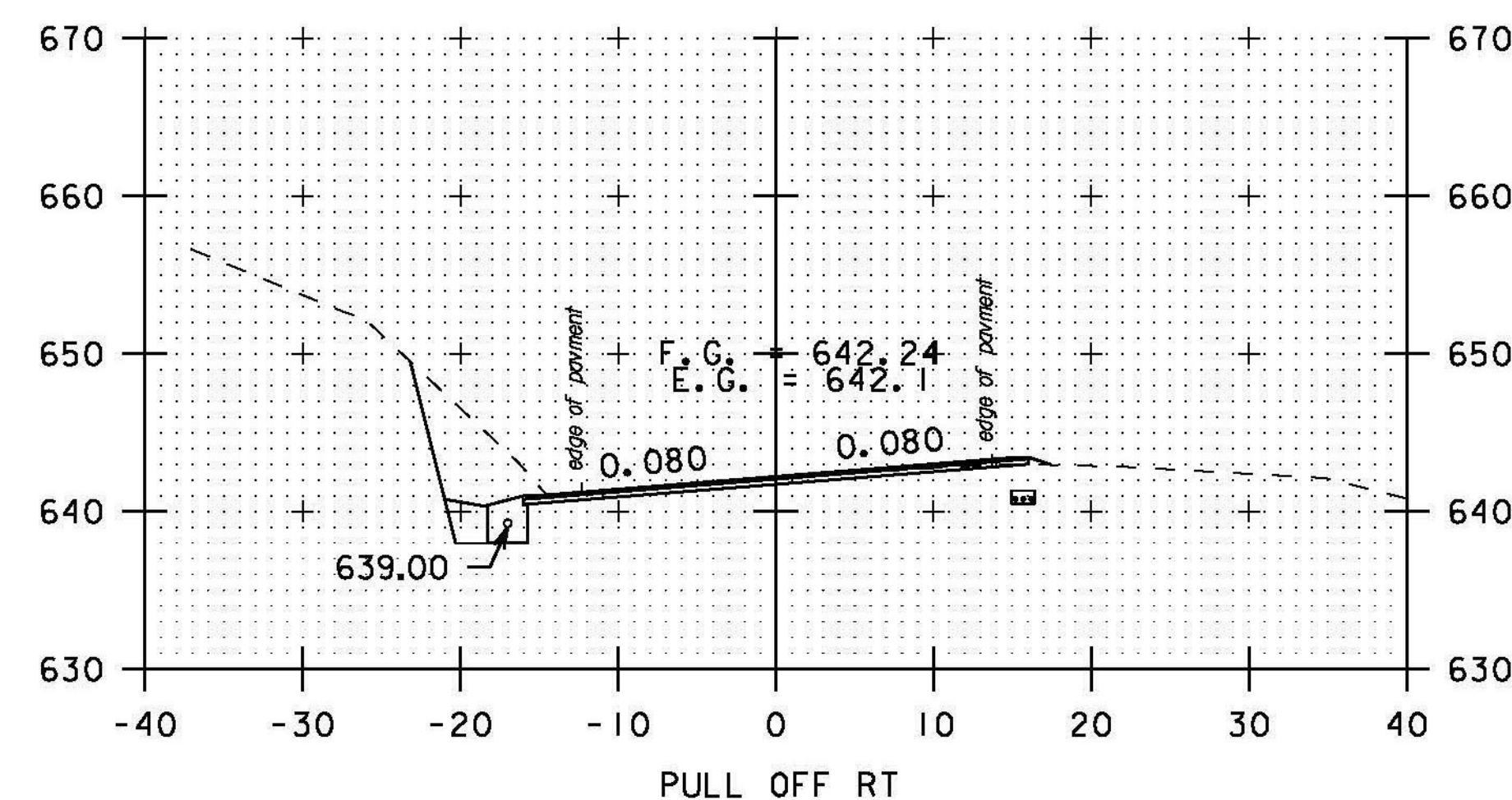
169+00



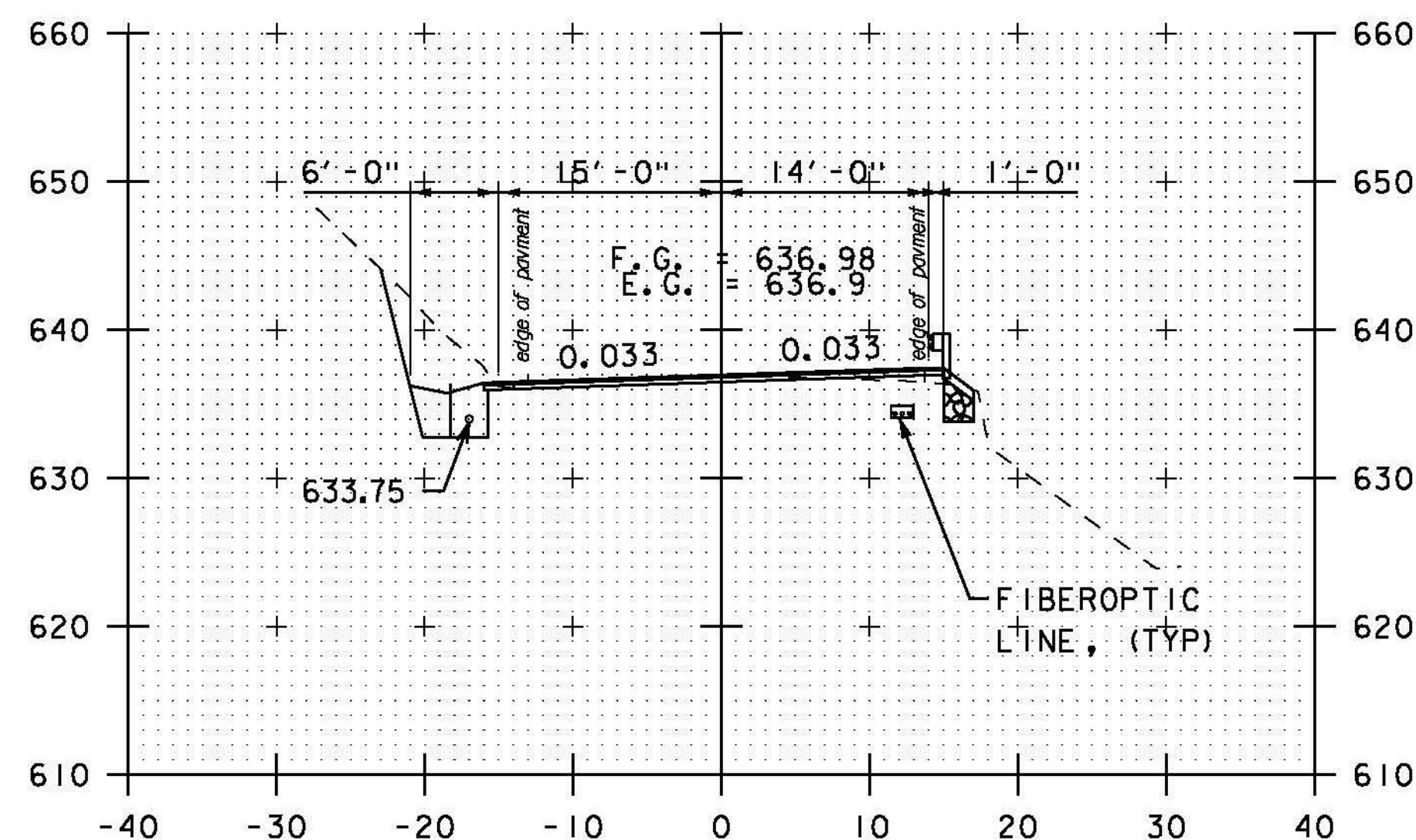
170+00



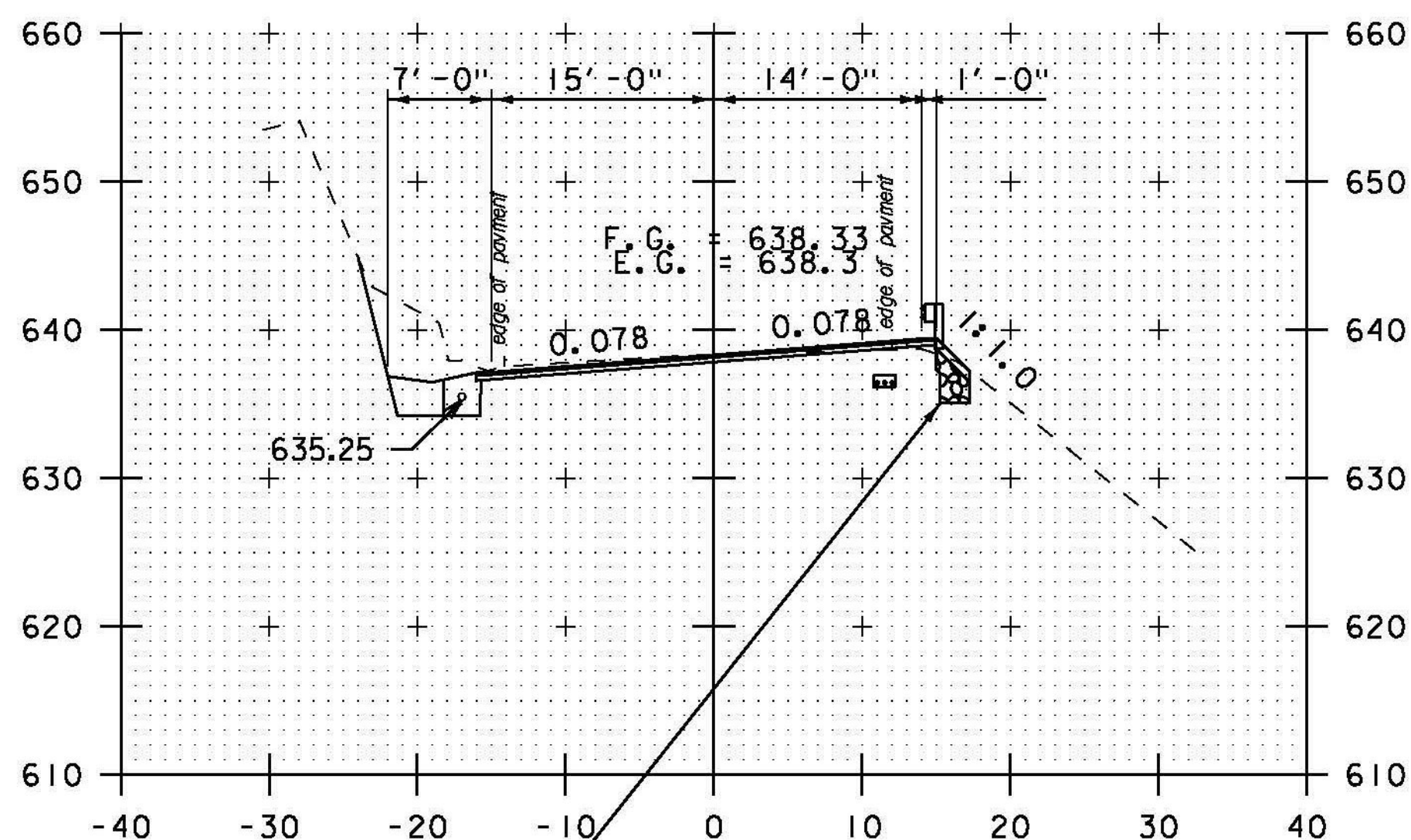
171+50



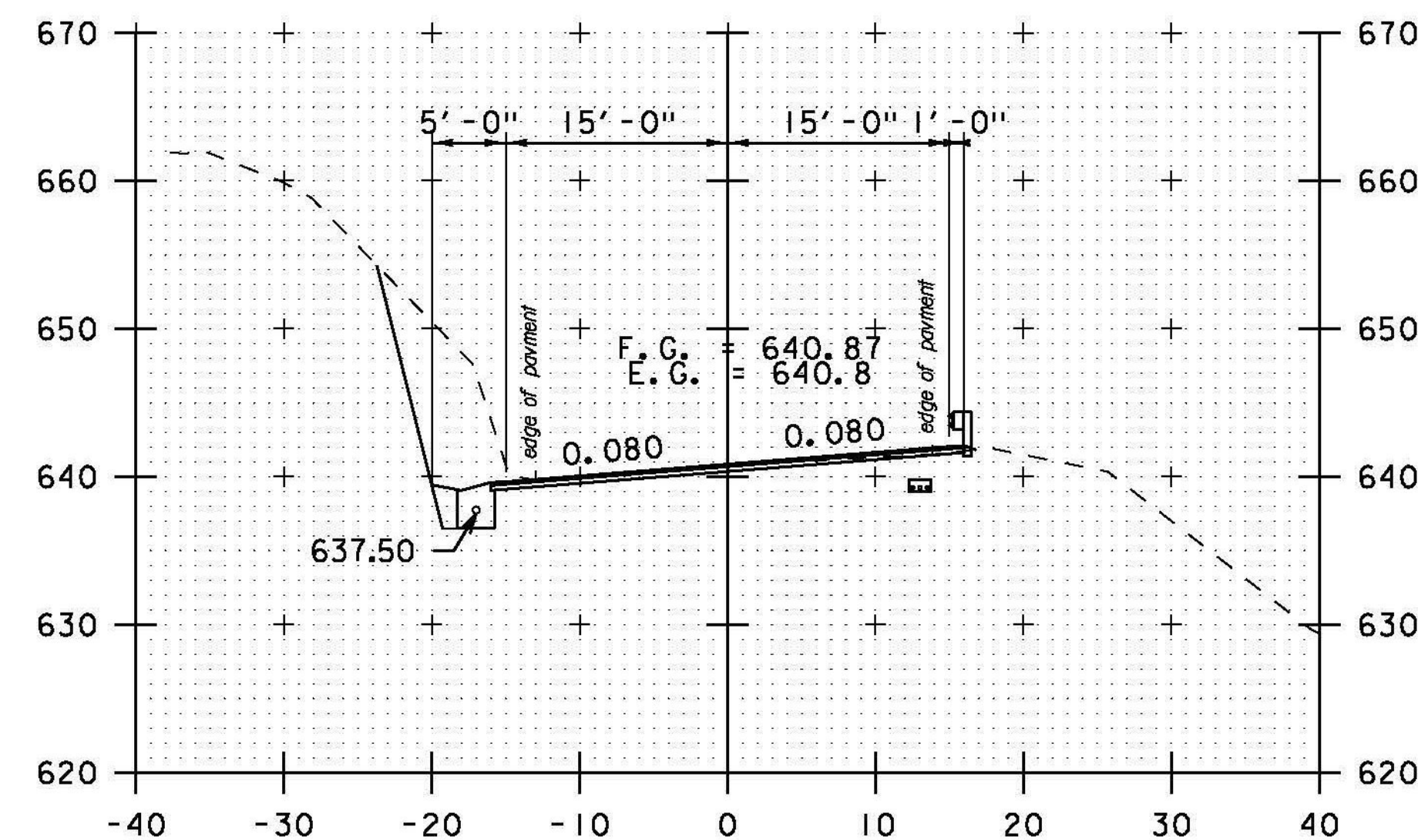
171+00



168+50



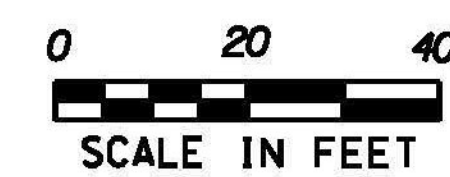
169+50



170+50

12" STONE FILL, TYPE I (TYP.)  
6" GRUBBING MATERIAL (TYP.)  
GEOTEXTILE UNDER STONE FILL (TYP.)

STA. 168+50 TO STA. 171+50



PROJECT NAME: BETHEL-RANDOLPH  
PROJECT NUMBER: STP 292(I)

FILE NAME: piOC244.dgn  
PROJECT LEADER: C. LATHROP  
DESIGNED BY: S. LAMPHERE  
CROSS SECTION SHEET 10

PLOT DATE: 4/23/2015  
DRAWN BY: S. LAMPHERE  
CHECKED BY: C. LATHROP  
SHEET 144 OF 211